

LCD TV

Operating Instructions



BRAVIA

Introduction

Thank you for choosing this Sony product. Before operating the TV, please read this manual thoroughly and retain it for future reference.



- Instructions about “Installing Wall Mount Bracket” are included within this TV’s instructions manual.
- The illustrations used in this manual are of the KDL-46HX850 series unless otherwise stated.
- The illustrations of the remote control used in this manual are of the RM-CD015 unless otherwise stated.
- Before operating the TV, please read “Safety Information” (page 30). Retain this manual for future reference.

Trademark information

HDMI, the HDMI Logo, and High-Definition Multimedia Interface are trademarks or registered trademarks of HDMI Licensing LLC in the United States and other countries.

DLNA®, the DLNA Logo and DLNA CERTIFIED® are trademarks, service marks, or certification marks of the Digital Living Network Alliance.

Manufactured under license from Dolby Laboratories. Dolby and the double-D symbol are trademarks of Dolby Laboratories.

“BRAVIA” and BRAVIA are trademarks of Sony Corporation.

TrackID is a trademark or registered trademark of Sony Ericsson Mobile Communications AB.

Music and video recognition technology and related data are provided by Gracenote®. Gracenote is the industry standard in music recognition technology and related content delivery. For more information, please visit www.gracenote.com.

CD, DVD, Blu-ray Disc, and music and video-related data from Gracenote, Inc., copyright © 2000-present Gracenote. Gracenote Software, copyright © 2000-present Gracenote. One or more patents owned by Gracenote apply to this product and service. See the Gracenote website for a nonexhaustive list of applicable Gracenote patents. Gracenote, CDDB, MusicID, MediaVOCS, the Gracenote logo and logotype, and the “Powered by Gracenote” logo are either registered trademarks or trademarks of Gracenote in the United States and/or other countries.

Opera® Browser from Opera Software ASA. Copyright 1995-2012 Opera Software ASA. All rights reserved.

Wi-Fi Direct is a mark of the Wi-Fi Alliance.

“Blu-ray Disc”, “Blu-ray” and “Blu-ray Disc” logo are trademarks of Blu-ray Disc Association.

“Sony Entertainment Network logo” and “Sony Entertainment Network” are trademarks of Sony Corporation.



(KDL-55/46HX850 only)

DivX®, DivX Certified® and associated logos are trademarks of Rovi Corporation or its subsidiaries and are used under license.

ABOUT DIVX VIDEO: DivX® is a digital video format created by DivX, LLC, a subsidiary of Rovi Corporation. This is an official DivX Certified® device that plays DivX video. Visit divx.com for more information and software tools to convert your files into DivX videos.

ABOUT DIVX VIDEO-ON-DEMAND: This DivX Certified® device must be registered in order to play purchased DivX Video-on-Demand (VOD) movies. To obtain your registration code, locate the DivX VOD section in your device setup menu. Go to vod.divx.com for more information on how to complete your registration.



Radio cautions

sentence/無線注意文

第十二條

經型式認證合格之低功率射頻電機，非經許可，公司、商號或使用者均不得擅自變更頻率、加大功率或變更原設計之特性及功能。

第十四條

低功率射頻電機之使用不得影響飛航安全及干擾合法通信；經發現有干擾現象時，應立即停用，並改善至無干擾時方得繼續使用。前項合法通信，指依電信法規定作業之無線電通信。低功率射頻電機須忍受合法通信或工業、科學及醫療用電波輻射性電機設備之干擾。

Location of the identification label

Labels for Model No. and Power Supply rating (in accordance with applicable safety regulation) are located on the rear of the TV.

About this manual

(Operating Instructions)

This manual explains how to set up your TV. For more information on how to use BRAVIA TV, refer to the “Electronic manual”.

Operating Instructions

Explains how to set up your TV such as connections, initial set-up, and basic operations.

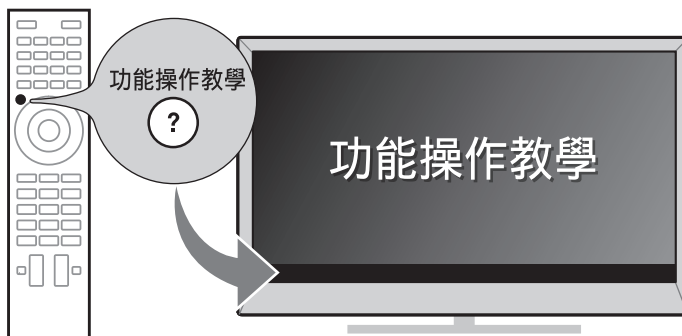


For more information, press the 功能操作教學 button



Electronic manual (i-Manual)

Explains how to use all the features. See page 21 on how to use the i-Manual.



Images and illustrations used in this manual may differ from the actual screen.

Table of Contents

Getting Started

Checking the accessories.....	6
Inserting batteries into the remote.....	6
1: Attaching the Table-Top Stand (except KDL-65HX950).....	7
2: Adjusting the viewing angle of the TV.....	8
3: Connections.....	8
4: Preventing the TV from toppling over.....	11
5: Bundling the cables.....	12
6: Connecting the TV to the Internet.....	13
7: Performing the initial set-up.....	14

Using Your BRAVIA TV

Watching TV ▶.....	16
Selecting various functions and settings (Home Menu).....	18
Watching Internet Video.....	20

Looking for Instructions

Looking for instructions in the electronic manual (i-Manual) ▶.....	21
--	-----------

Additional Information

Troubleshooting.....	23
Specifications.....	24
Installing the Accessories (Wall-Mount Bracket).....	26
Safety Information.....	30
Precautions.....	32

Checking the accessories

Remote (1)

Size AAA batteries (R03 type) (2)

Table-Top Stand (1)*¹ (except KDL-65HX950)

Support belt (1) and screws (2)

Fixing screws for Table-Top Stand

(M5 x 16) (3) (except KDL-65HX950)

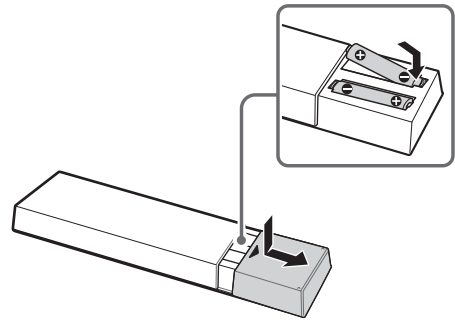
Assembling screws for Table-Top Stand

(M5 x 16) (4) (except KDL-65HX950)

Operating Instructions (this manual) and other documents

*¹ Refer to the supplied Table-Top Stand leaflet to assemble the Table-Top Stand.

Inserting batteries into the remote

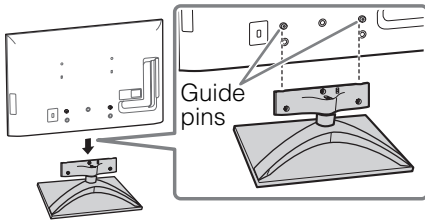


- 1** Remove the protection sheet.
- 2** Push and slide the cover to open.


1: Attaching the Table-Top Stand (except KDL-65HX950)

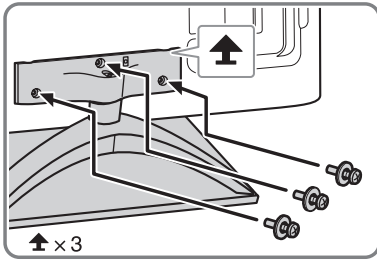
Refer to the supplied Table-Top Stand leaflet for proper attachment.

1 Place the TV set on the Table-Top Stand.



- Align the TV from the top, slide it in until the guide pins cannot be seen.

2 Fix the TV to the Table-Top Stand using the supplied screw. The arrow marks  indicate the location of the screw holes used for securing the Table-Top Stand.



- If using an electric screwdriver, set the torque at approximately 1.5 N·m {15 kgf·cm}.

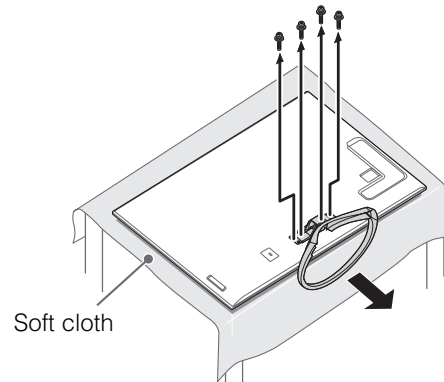
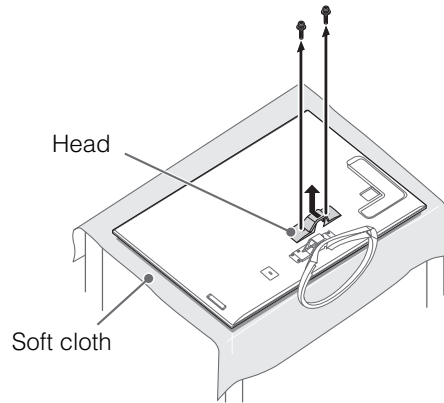
Detaching the Table-Top Stand from the TV



- Do not remove the Table-Top Stand for any reason other than to install corresponding accessories on the TV.
- When removing the Table-Top Stand from the TV, lay the display face down on a stable work surface that is larger than the TV.
- To prevent damaging the surface of the LCD display, make sure to place a soft cloth on the work surface.

KDL-65HX950

To detach the Table-Top Stand from the TV, remove the screws  at the head of the Table-Top Stand. Slide upward to remove the head. Then, remove the screws fixed on the Table-Top Stand.



KDL-55HX950, KDL-55/46HX850

To detach the Table-Top Stand from the TV, remove the screws  fixed in step 2 (page 7).

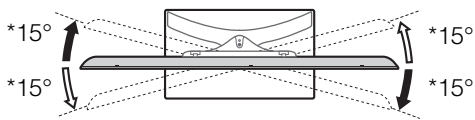
2: Adjusting the viewing angle of the TV

This TV can be adjusted within the angles as illustrated.

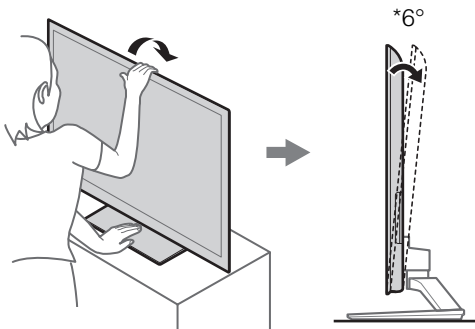
■ Angle adjustment (Swivel) (except KDL-65HX950)



- When adjusting the angle, hold the stand with one hand to avoid having the stand slip or TV tip over.



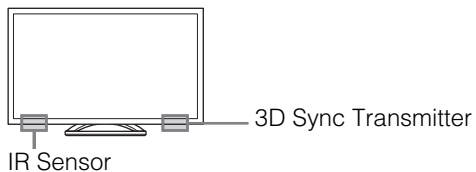
■ Angle adjustment (Tilt) (except KDL-65HX950)



* The angle is approximate value.



- Ensure that there are no objects in front of the TV.



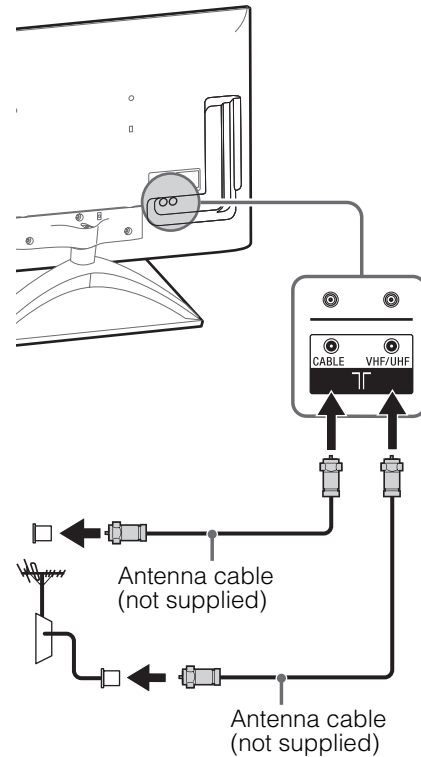
3: Connections



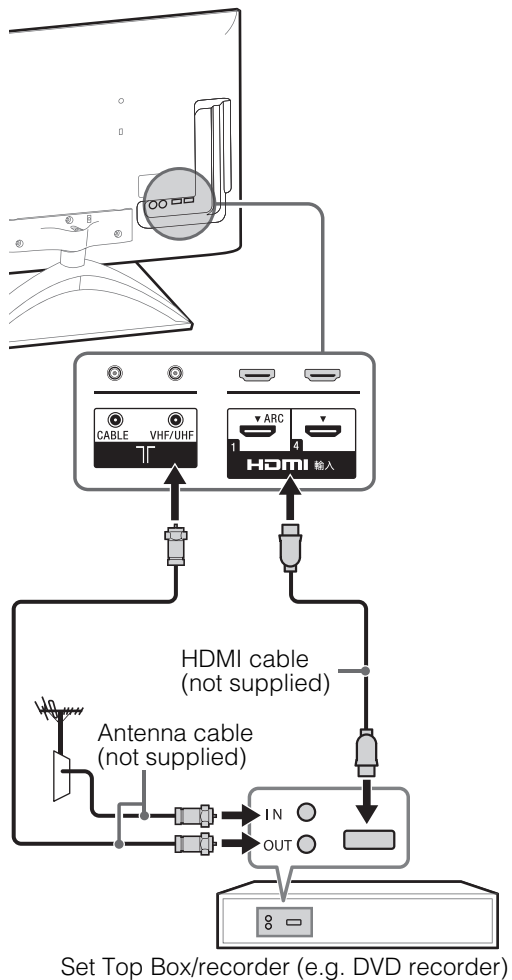
- Use an antenna cable connector no greater than 14 mm in thickness.
- Use an HDMI cable connector within 12 mm (thickness) × 21 mm (width).

Connecting an antenna (aerial)/cable/VCR

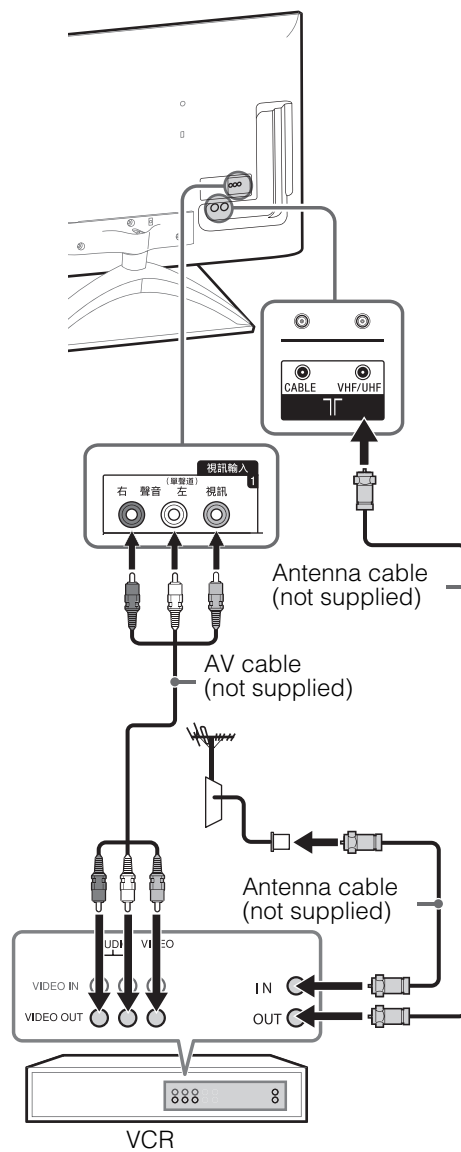
■ To connect an antenna (aerial)/cable



■ To connect a Set Top Box/recorder (e.g. DVD recorder) with HDMI



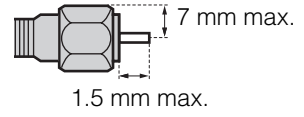
■ To connect an antenna/cable and VCR



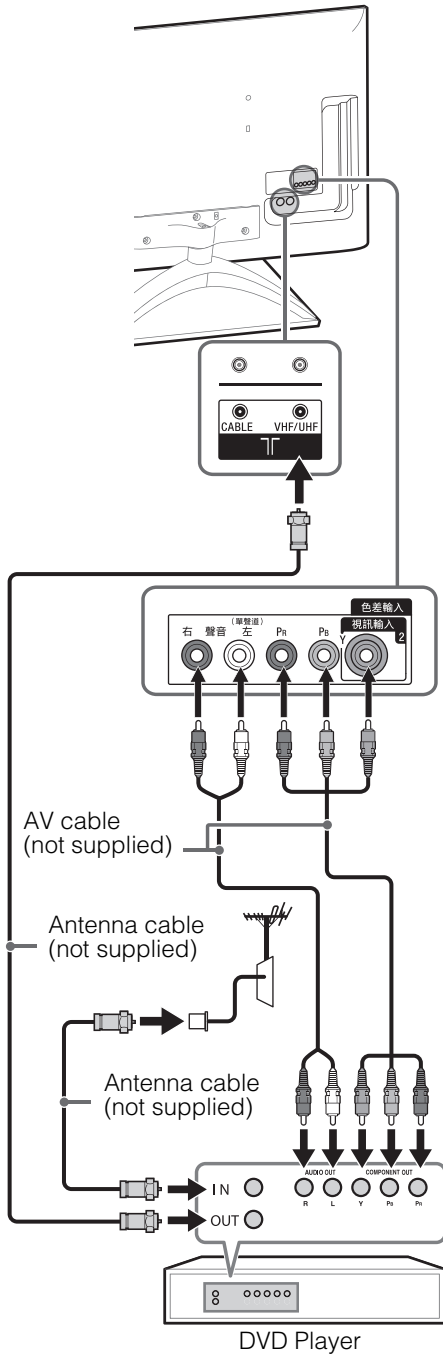
Connecting audio/video devices

Recommendation of the F type plug

Projection of the inner wire from the connection part must be less than 1.5 mm.

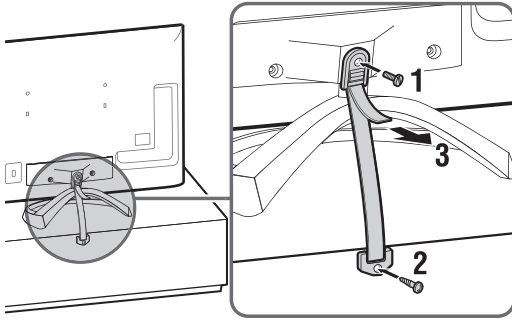


(Reference drawing of the F type plug)

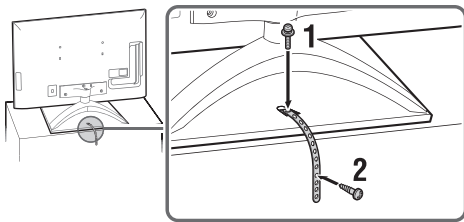


4: Preventing the TV from toppling over

KDL-65HX950

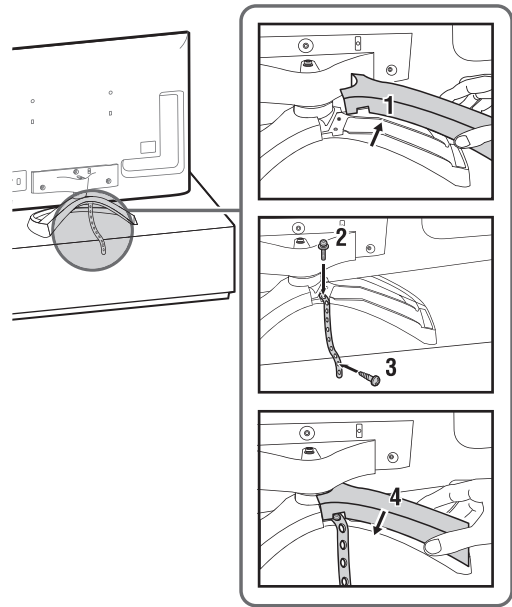


KDL-55/46HX850



- 1** Install a machine screw (supplied) into the screw hole of the TV.
- 2** Install a wood screw (supplied) in the TV stand.
- 3** While holding down the stand of the main unit with your hand, pull the belt towards you and adjust the length.

KDL-55HX950



- 1** Remove the right side cover of the Table-Top Stand.
- 2** Install a machine screw (supplied) into the screw hole of the TV.
- 3** Install a wood screw (supplied) in the TV stand.
- 4** Attach the right side cover of the Table-Top Stand back to the original position.

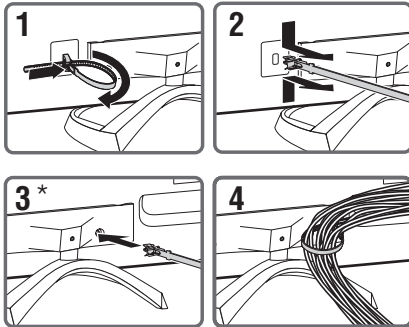
5: Bundling the cables

Before bundling the cables, remove the cable holder from the AC cover. Reuse the cable holder to bundle the other cables.

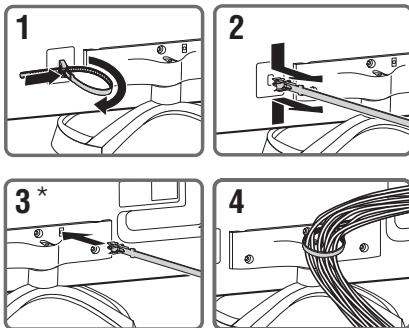


- Do not bundle the AC power cord (mains lead) together with other cables.

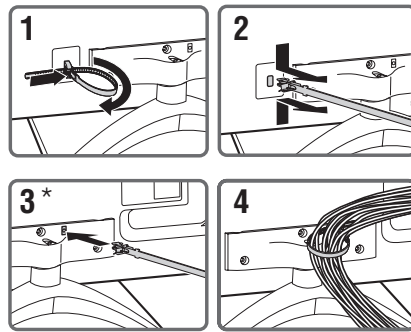
KDL-65HX950



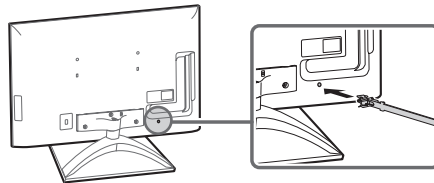
KDL-55HX950



KDL-55/46HX850



- * When installing on the wall, attach the cable holder under the terminals.



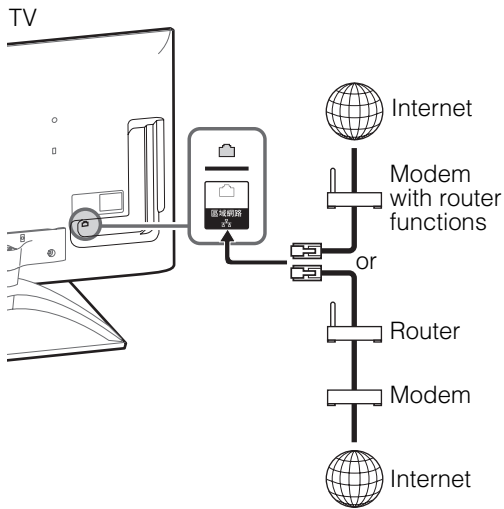
6: Connecting the TV to the Internet

When you connect this TV to the Internet, you can enjoy multiple functions: displaying a photograph that shows its location on the map, enjoying Internet video, etc. For details on the functions, refer to the i-Manual.



- You will need to contract with an Internet service provider to connect to the Internet.

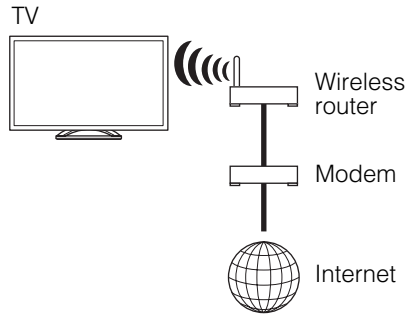
Preparing a wired network



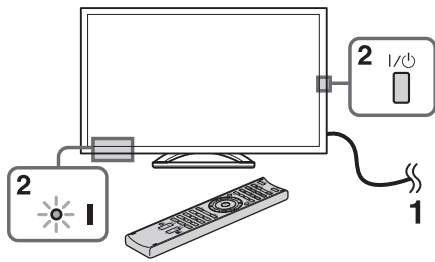
- For LAN connections, use a Category 7 cable (not supplied).

Preparing a wireless LAN

The built-in wireless LAN device allows you to access the Internet and your home network. With this feature, you can connect to a wireless LAN and enjoy the benefits of networking in a cable-free environment. Before setting up the wireless LAN function of the TV, be sure to set up a wireless LAN router.



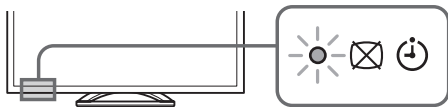
7: Performing the initial set-up



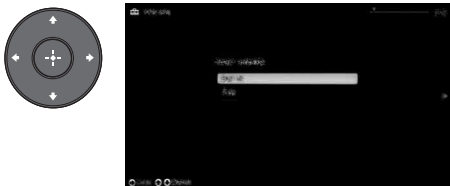
- 1 Connect the TV to your AC power outlet (mains socket).
- 2 Press **I/⏻** (電源) on the TV. The **I** (power) indicator will light up in green.
When you switch on the TV for the first time, the Language menu appears on the screen.



- When you turn on the TV for the first time, the TV requires some internal processing for optimisation before you can perform the initial setup. There will be no picture and sound, and the timer indicator on the front of the TV blinks orange for about 40 seconds. Do not turn off the TV during this process. This process has been completed at the factory for some TVs.



- 3 Press **⬆/⬇/⬅/➡** to select an item, then press **⊕**.
Follow the instructions on the screen.



Programme Sorting: Changes the order of analogue channels stored in the TV.

- 1 Press **⬆/⬇** to select the channel you want to move to a new position, then press **⊕**.
- 2 Press **⬆/⬇** to select the new position for the channel, then press **⊕**.



- You can also tune channels manually.

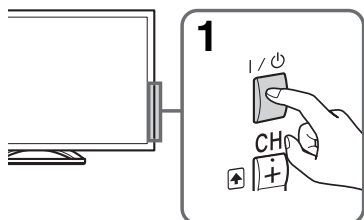
Network Set-up: Sets up the Internet settings. Select “Auto” to connect to the network automatically. Select “Custom” to connect manually.

If you do not access the Internet, or to set up later, select “Skip”.



- If you use WEP security, select “Custom” → “Wireless Set-up” → “Scan”.
Then, select the network name (SSID) you want to connect.
If you cannot find the required network name, select “[Manual Entry]” and press **⊕** to enter network name.
- Use the optional USB Wireless LAN Adapter to connect with your wireless router (or access point) at 5GHz. Insert USB Wireless LAN Adapter and set “Standby for Wi-Fi Direct” to “Off”. Press **HOME**, then select “Settings” → “Network” → “Standby for Wi-Fi Direct” → “Off”
- To set “Network Set-up” later, press **HOME**, then select “Settings” → “Network” → “Network Set-up”.

Watching TV



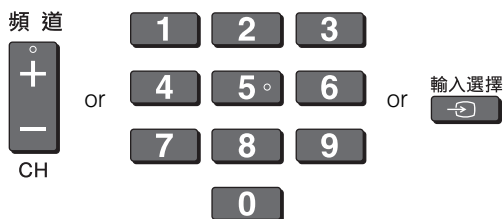
1 Turn on the TV.

Press on the TV or on the remote to turn on the TV.

2 Select a mode.

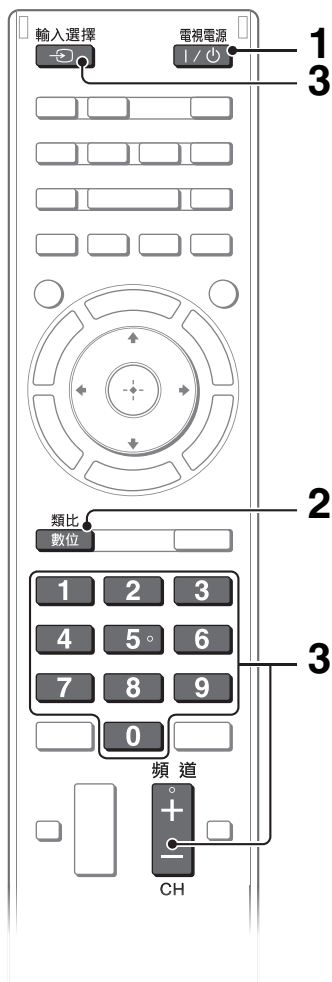
類比
數位

3 Select a TV channel or select an input.



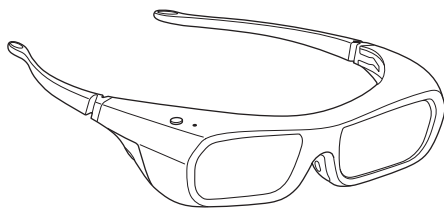
■ To select digital channels

Use **0-9**. For channel numbers 10 and above, press the next digit quickly.

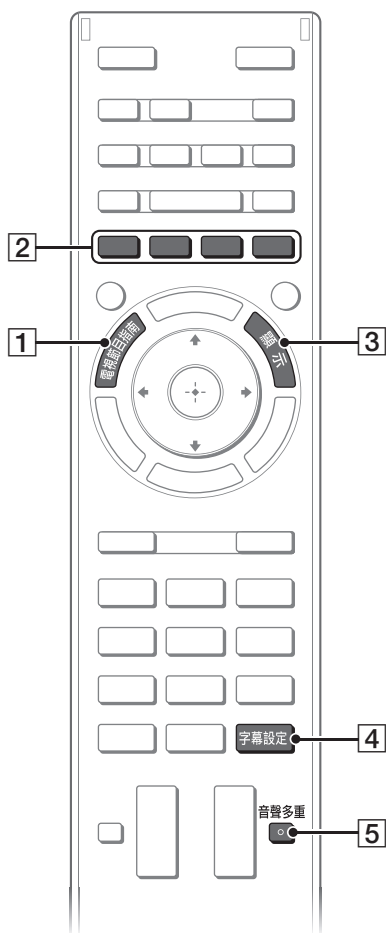


Watching 3D contents

This feature lets you experience powerful 3D entertainment, such as stereoscopic 3D games and 3D Blu-ray Disc. Refer to the i-Manual as well as the instruction manual supplied with the 3D Glasses on how to set the 3D settings or watch the 3D contents.



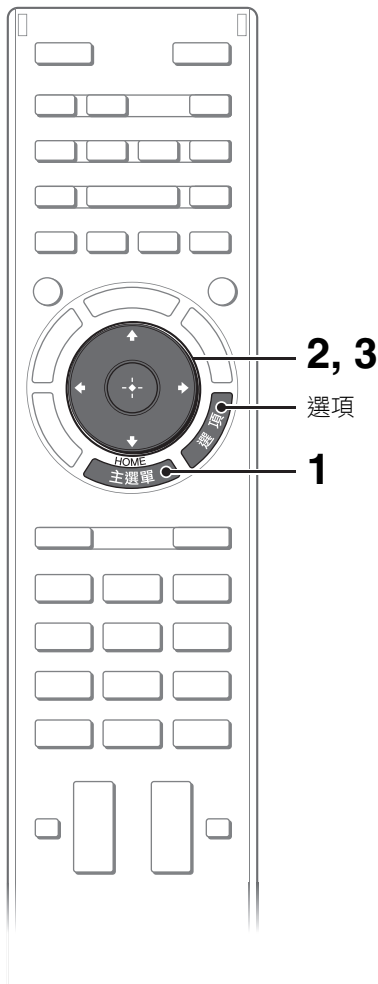
Frequently used buttons



- 1 電視節目指南**
Displays the digital programme guide.
- 2 Colour buttons**
When the colour buttons are available, an operation guide appears on the screen.
- 3 顯示**
Displays channel number, details of programmes, and the clock.
- 4 字幕設定**
You can turn subtitles on/off while watching digital broadcasting.
- 5 音聲多重**
You can select the sub sound or secondary language while watching multiplex broadcasts (digital broadcasts only).

Selecting various functions and settings (Home Menu)

You can select the features of your TV from the Home menu.



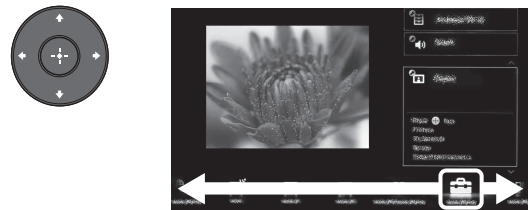
Here is an example on how to select an item and modify the TV settings.

1 Press 主選單 .



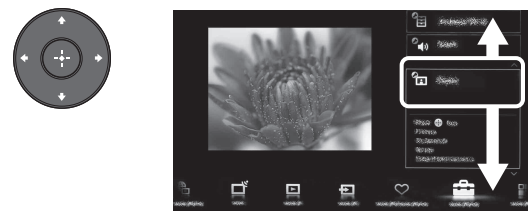
2 Press ⇐/⇒ to select 設定 (Settings) category.

The contents of "Settings" are displayed on the right.



See page 19 (Category list) for all categories.

3 Press ⇑/⇓ to select "Display", then press ➕.



4 Modify the settings.

■ To exit the 主選單 menu

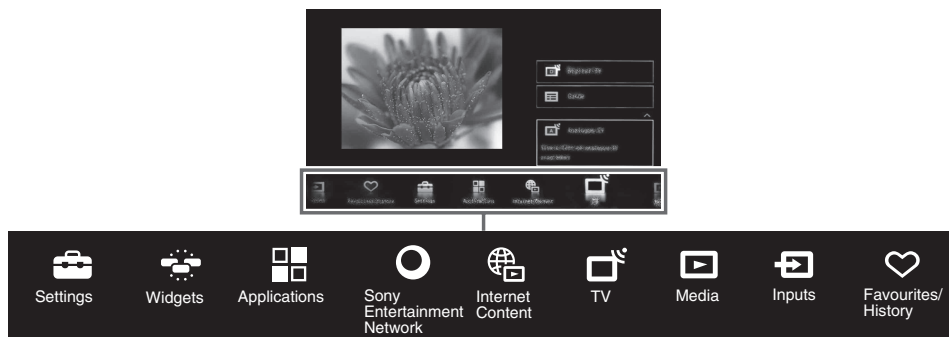
Press 主選單 .

■ To select using the 選項 button










Press 選項 .

A list of convenient functions and menu shortcuts are displayed. The menu items vary based on the current input and/or content.

Category list

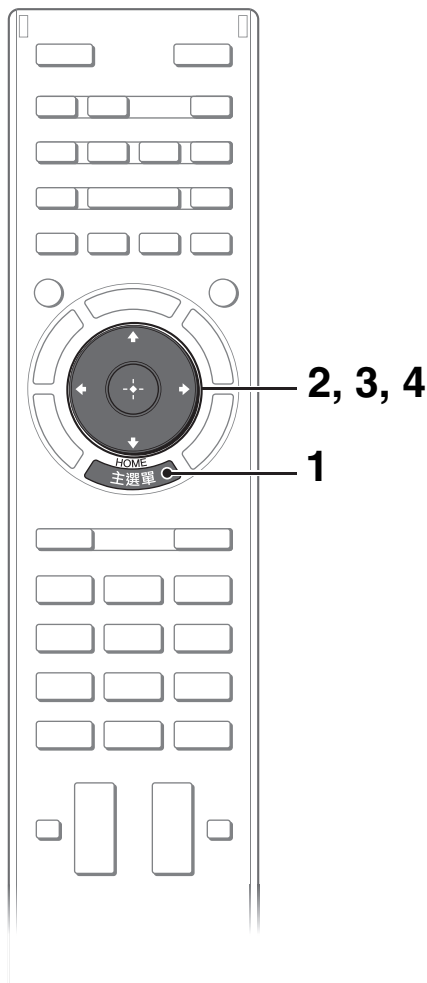


The categories are available depending on your region and country.

	Settings	Provides settings (e.g. picture settings, sound settings, key tone setting) that allow you to customise your TV.
	Widgets	Enables access to Widgets.
	Applications	Launches applications that require an Internet connection.
	Sony Entertainment Network	Enables selection of content from the online service "SEN" (Sony Entertainment Network).
	Internet Content	Enables access to Internet services for TV.
	TV	Allows you to select a list of TV channels, or a programme guide.
	Media	Enables selection of media files (photo, music, video) to play in a connected USB storage device or your home network.
	Inputs	Enables selection of devices connected to the TV.
	Favourites/History	Displays items in Favourites and recently viewed items.

Watching Internet Video

This feature serves as a gateway to Internet content, delivering a variety of on-demand entertainment straight to your TV. You can enjoy video content, including movies and cartoons. You will need to make a broadband Internet connection. For details, see page 13 (6: Connecting the TV to the Internet).

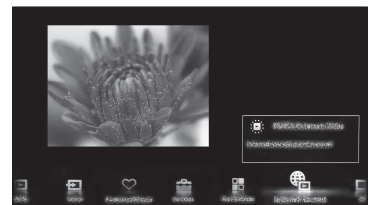


1 Press 主選單 .

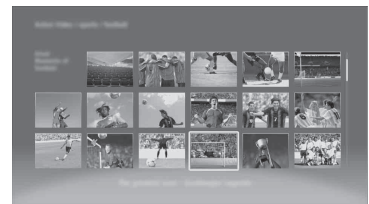


2 Press \leftarrow/\rightarrow to select (Internet Content) category.

3 Press \uparrow/\downarrow to select “Internet Video”, then press \oplus .



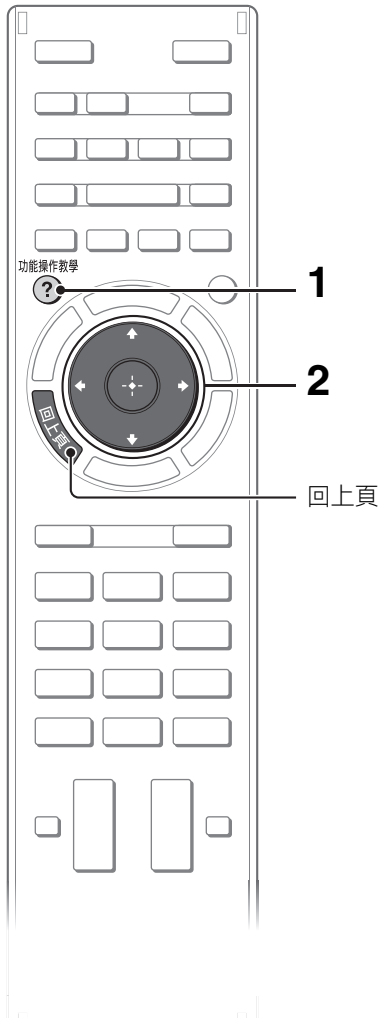
4 Press $\uparrow/\downarrow/\leftarrow/\rightarrow$ to highlight the desired content, then press \oplus .



- If you experience difficulties with this feature, check that the Internet connection is set up properly.
- The interface to Internet content depends on the Internet content providers.
- Services block video content based on the “Parental Lock” setting of the TV. Some service providers do not support this function.
- To update Internet Video content services, press 主選單 , then select “Settings” → “Network” → “Refresh Internet Content”.

Looking for instructions in the electronic manual (i-Manual)

Operating instructions are built into your BRAVIA TV and can be displayed on the screen. To learn more about your TV features, access your i-Manual with the touch of a button.

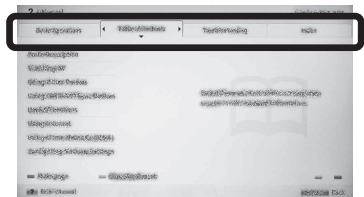


1 Press 功能操作教學 .

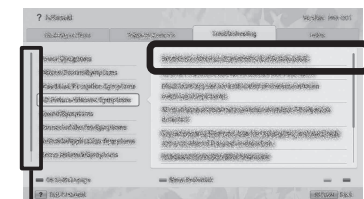
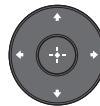


2 Select an item.

1 Press \leftarrow/\rightarrow to select an item.



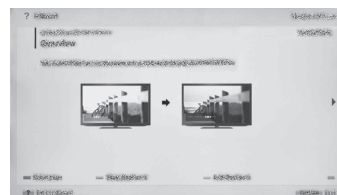
2 Press $\uparrow/\downarrow/\leftarrow/\rightarrow$ to select an item, then press \oplus .



scroll bar*

* If a scroll bar appears, press \uparrow repeatedly to display more items.

The page of the selected item appears.



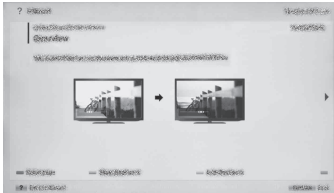
- You can step through pages using \leftarrow/\rightarrow . Press 回上頁 to return to the previous page.

Saving frequently viewed pages (Bookmark)

You can save frequently viewed pages for easy access anytime.

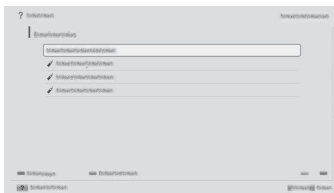
■ To save a page

In the page to bookmark, press the yellow button on the remote.



■ To access the bookmarked page

When displaying the i-Manual, press the green button on the remote to display the bookmark list. Press \triangle/∇ to select the desired item, then press \oplus .



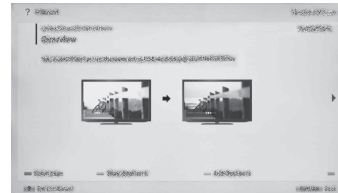
- To return to the previous page, press \triangleleft .

■ To remove a bookmark

When the bookmarked page is displayed, press the yellow button on the remote.

Displaying the page again while operating the TV

You can switch between the i-Manual screen and the TV screen. This feature allows you to refer to the instructions in the i-Manual while using your BRAVIA TV. Press 功能操作教學 to switch between the i-Manual screen previously displayed and the TV screen.



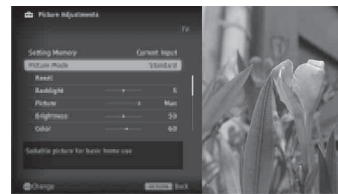
i-Manual screen previously displayed



功能操作教學




BRAVIA TV screen



- To jump to the top page of i-Manual, press the red button on the remote. You can also press 主選單, then select “Settings” → “i-Manual” to jump to the top page of i-Manual.
- Once you turn off the TV or the TV goes to standby mode, the i-Manual will be displayed from the top page when you select “i-Manual”.

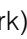


Troubleshooting

When the (電源) (standby) indicator is flashing, count how many times it flashes (interval time is three seconds).


Press  on the TV to turn it off, disconnect the AC power cord (mains lead), and inform your dealer or Sony service centre of how the indicator flashes (number of flashes).

When the (電源) (standby) indicator is not flashing, check the items in the tables as follows.

Also refer to “Troubleshooting” in the i-Manual. If the problem persists, have your TV serviced by qualified service personnel.

Condition	Explanation/Solution
There is no picture (screen is dark) and no sound.	<ul style="list-style-type: none">• Check the antenna (aerial)/cable connection.• Connect the TV to the AC power (mains), and press  (電源) on the TV.• If the  (電源) (standby) indicator lights up in red, press  on the remote.
Tiny black points and/or bright points appear on the screen.	<ul style="list-style-type: none">• The screen is composed of pixels. Tiny black points and/or bright points (pixels) on the screen do not indicate a malfunction.
Some programmes cannot be tuned.	<ul style="list-style-type: none">• Check the antenna (aerial) or dish.
The TV turns off automatically (the TV enters standby mode).	<ul style="list-style-type: none">• Check if the “Sleep Timer” is activated, or confirm the “Duration” setting of “On Timer”.• Check if the “Idle TV Standby” is activated.
The remote does not function.	<ul style="list-style-type: none">• Replace the batteries.• Your TV may be in SYNC mode. Press 同步操控選單, select “TV Control” and then select “Home (Menu)” or “Options” to control the TV.
The “Parental Lock” password has been forgotten.	<ul style="list-style-type: none">• Enter 9999 for the PIN code. (PIN code 9999 is always accepted.)
The TV surrounds become warm.	<ul style="list-style-type: none">• When the TV is used for an extended period, the TV surrounds become warm. You may feel hot when touching there by the hand.

Specifications

System	
Panel System	LCD (Liquid Crystal Display) Panel
TV System	Analogue: M Digital: DVB-T
Colour/video system	Analogue: NTSC3.58, PAL (Only video input), SECAM (Only video input), NTSC4.43 (Only video input) Digital: MPEG-2 MP@HL/H14L/ML, AVC BP@L3/MP@L4/HP@L4 (30 Mbps max, limited tool), MPEG-4 Visual SP@L6/ASP@L5/ACEP@L4
Channel Coverage	VHF: 2-13/UHF: 14-69 CATV(Analogue): 1-135
Sound Output	10 W + 10 W + 10 W
Input/Output jacks	
Antenna (aerial)/Cable	75 ohm external terminal for VHF/UHF and CATV
VIDEO IN 1	Video / Audio input (phono jacks)
COMPONENT IN	YPbPr (Component Video): 1080p (60 Hz), 1080i (60 Hz), 720p (60 Hz), 480p, 480i Audio Input (phono jacks)
VIDEO IN 2	Video input (common phono pin with Y input)
HDMI IN1, 2, 3, 4	Video (2D): 1080p (30, 60 Hz), 1080/24p, 1080i (60 Hz), 720p (30, 60 Hz), 720/24p, 480p, 480i, PC Formats Video (3D): Frame Packing 1080p (30 Hz), 1080/24p, 1080i (60 Hz), 720p (30, 60 Hz), 720/24p Side-by-Side 1080p (60 Hz), 1080/24p, 1080i (60 Hz), 720p (60 Hz) Over-Under 1080p (30, 60 Hz), 1080/24p, 1080i (60 Hz), 720p (60 Hz) Audio: Two channel linear PCM: 32, 44.1 and 48 kHz, 16, 20 and 24 bits, Dolby Digital Analogue audio input (Stereo minijack) (HDMI IN 2 only, Common with PC IN) ARC (Audio Return Channel) (HDMI IN 1 only)
OPTICAL DIGITAL AUDIO OUT	Digital optical jack (Two channel linear PCM, Dolby Digital)
Speaker Integrated Stand (KDL-55/46HX850 only)	Sound output for TV stand
AUDIO OUT/	Audio output (stereo minijack) Headphones jack
PC IN PC/HDMI 2 AUDIO IN	Analogue RGB (Mini D-sub 15-pin) Audio input (Stereo minijack) (Common with HDMI IN 2)
ψ 1/ψ 2	USB port
 LAN	10BASE-T/100BASE-TX connector (Depending on the operating environment of the network, connection speed may differ. 10BASE-T/100BASE-TX communication rate and communication quality are not guaranteed for this TV.)

Model name KDL-	65HX950	55HX950	55HX850	46HX850
Power and others				
Power Requirements	110 V AC, 60 Hz			
Screen size (measured diagonally)	Approx. 163.9 cm/ 65 inches	Approx. 138.8 cm/ 55 inches		Approx. 116.8 cm/ 46 inches
Display Resolution	1920 dots (horizontal) × 1080 lines (vertical)			
Power Consumption	251 W	180 W	150 W	120 W
Standby Power Consumption*	0.30 W			
Dimensions Approx. (w × h × d)				
with Table-Top Stand (mm)	1506 × 965 × 374	1280 × 829 × 369	1274 × 808 × 341	1077 × 697 × 268
without Table-Top Stand (mm)	1506 × 901 × 51	1280 × 773 × 49	1274 × 750 × 35	1077 × 640 × 35
Mass (Approx.)				
with Table-Top Stand (kg)	47.7	29.6	26.2	20.3
without Table-Top Stand (kg)	43.6	26.7	21.7	16.6
Supplied accessories	See "Checking the accessories" (page 6).			
Optional accessories	Wall-Mount Bracket: SU-WL500, SU-WL50B USB Wireless LAN Adaptor: UWA-BR100 3D Glasses: TDG-BR750/TDG-BR250/TDG-BR200/TDG-BR100/TDG-BR50 Camera and Microphone Unit: CMU-BR100 TV stand: SU-B553S (KDL-55HX850 only) SU-B463S (KDL-46HX850 only)			
Operating temperature	0 °C – 40 °C			
Operating humidity	10 % – 80 % RH (non-condensing)			

* Specified standby power is reached after the TV finishes necessary internal processes.

Design and specifications are subject to change without notice.

Installing the Accessories (Wall-Mount Bracket)

■ To Customers:

For product protection and safety reasons, Sony strongly recommends that installing of your TV be performed by Sony dealers or licensed contractors. Do not attempt to install it yourself.

■ To Sony Dealers and Contractors:

Provide full attention to safety during the installation, periodic maintenance and examination of this product.

Your TV can be installed using the SU-WL500/SU-WL50B (page 27) Wall-Mount Bracket (sold separately).

- Refer to the Instructions supplied with the Wall-Mount Bracket to properly carry out the installation.
- See page 7 (Detaching the Table-Top Stand from the TV).

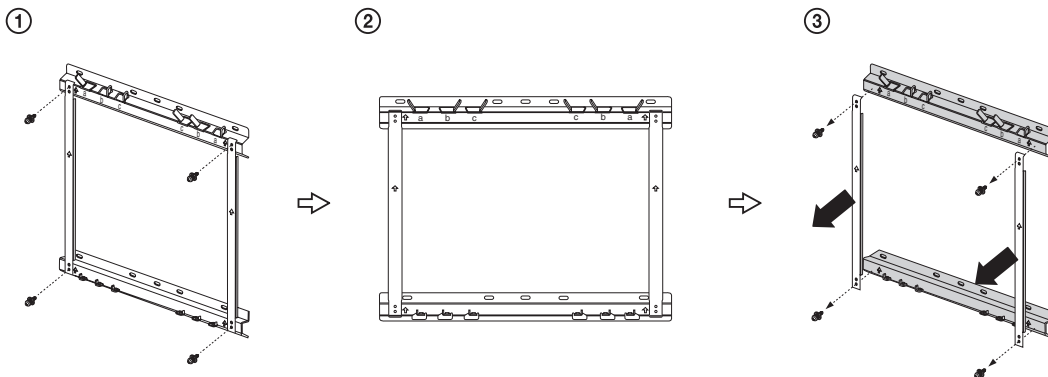
Sufficient expertise is required for installing this product, especially to determine the strength of the wall for withstanding the TV's weight (cement, wooden, etc). Be sure to entrust the attachment of this product to the wall to Sony dealers or licensed contractors and pay adequate attention to safety during the installation. Sony is not liable for any damage or injury caused by mishandling or improper installation.

When installing the base bracket on the wall (for SU-WL50B):

- 1** Install one side of each plate to the upper bracket and the other side to the lower bracket.
- 2** Attach the base bracket to the wall.
- 3** Remove the plates.



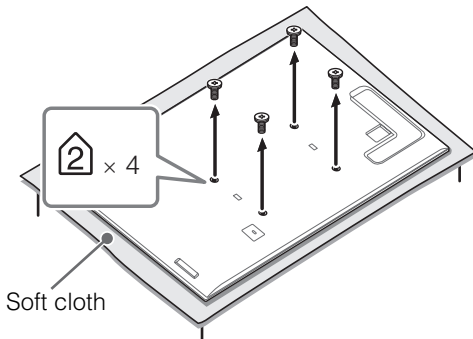
- Be sure to store the plates in a safe place after use.



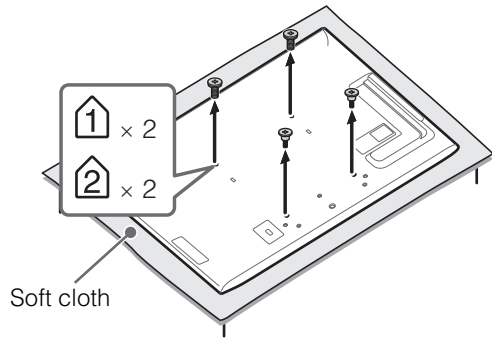
SU-WL500/SU-WL50B

When installing the TV on the wall, remove the screws from the rear of the TV. Be sure to store the removed screws in a safe place, keeping them away from children.

KDL-65HX950

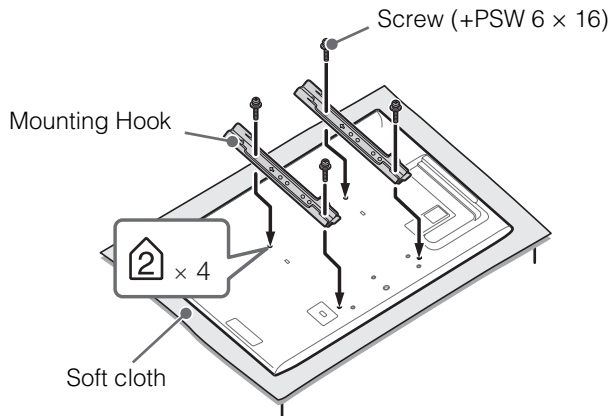


KDL-55HX950, KDL-55/46HX850



- When removing the Table-Top Stand from the TV, lay the display face down on a stable work surface that is larger than the TV.
- To prevent damaging the surface of the LCD display, make sure to place a soft cloth on the work surface.

SU-WL500/SU-WL50B



- Attach the Mounting Hook using the four screws supplied with the Wall-Mount Bracket.
- When attaching the Table-Top Stand again, be sure to fasten the screws (previously removed) to the original holes on the rear of the TV.

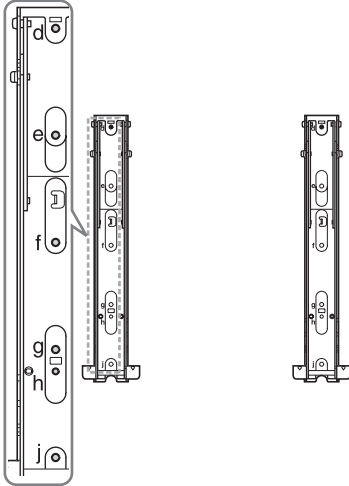
Screw and Hook locations diagram/table

Model Name KDL-	Screw location		Hook location
	SU-WL500	SU-WL50B	SU-WL500/SU-WL50B
65HX950	d, g	d, i	a
55HX950/55HX850	e, j		b
46HX850			

■ SU-WL500

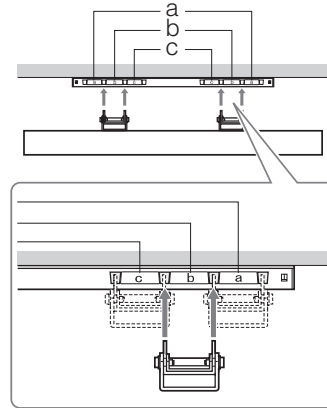
Screw location

When installing the Mounting Hook on the TV.



Hook location

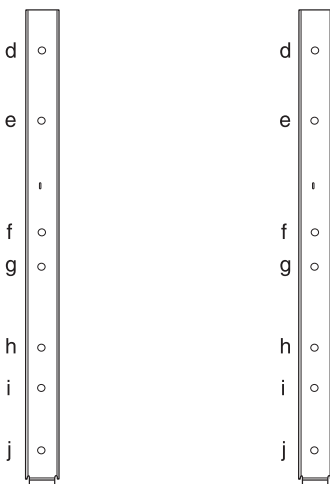
When installing the TV onto the Base Bracket.



■ SU-WL50B

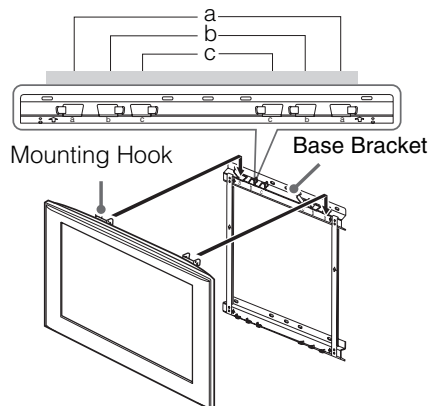
Screw location

When installing the Mounting Hook on the TV.



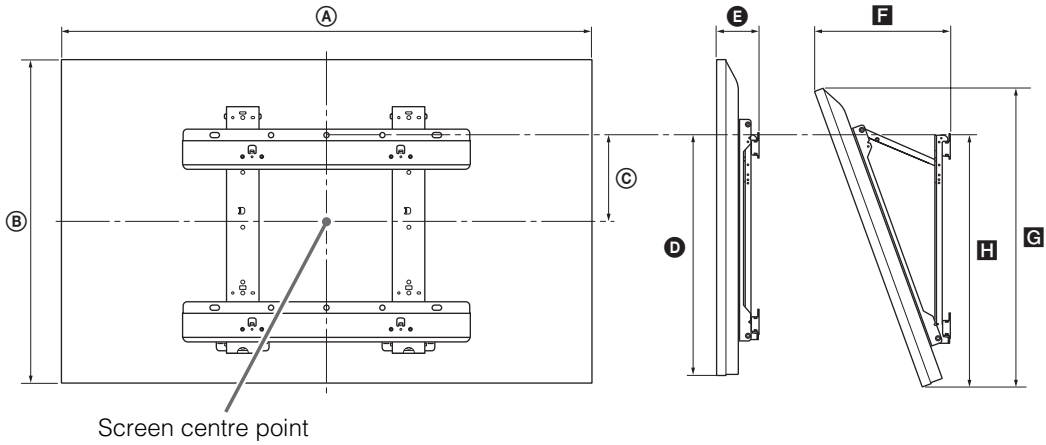
Hook location

When installing the TV onto the Base Bracket.

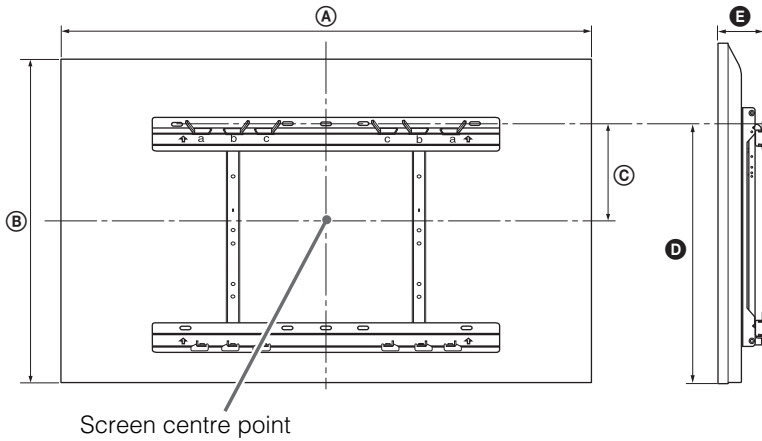


TV installation dimensions table

SU-WL500 (①)



SU-WL50B (②)



Unit: mm

Model Name KDL-	Display dimensions		Screen centre dimension	Length for each mounting angle				
				Angle (0°)		Angle (20°)		
	A	B	C	D	E	F	G	H
SU-WL500 (①)								
65HX950	1506	901	1	462	109	386	850	483
55HX950	1280	773	65	463	107	340	729	483
55HX850	1274	750	78	459	93	319	705	474
46HX850	1077	640	133	459	93	282	602	474
SU-WL50B (②)								
65HX950	1506	901	53	515	110			
55HX950	1280	773	93	491	108			
55HX850	1274	750	106	487	94			
46HX850	1077	640	161	486	94			

Figures in the table may differ slightly depending on the installation.

WARNING

The wall that the TV will be installed should be capable of supporting a weight of at least four times that of the TV. See page 25 (Specifications) for its weight.

Safety Information

WARNING

Batteries must not be exposed to excessive heat such as sunshine, fire or the like.

Installation/Set-up

Install and use the TV set in accordance with the instructions below in order to avoid any risk of fire, electrical shock or damage and/or injuries.

Installation

- The TV set should be installed near an easily accessible AC power outlet.
- Place the TV set on a stable, level surface to avoid it from falling down and cause personal injury or damage to the TV.
- Only qualified service personnel should carry out wall installations.
- For safety reasons, it is strongly recommended that you use Sony accessories, including:
 - Wall-Mount Bracket: SU-WL500, SU-WL50B
 - TV stand: SU-B553S (KDL-55HX850), SU-B463S (KDL-46HX850)
- Be sure to use the screws supplied with the Wall-mount bracket when attaching the mounting hooks to the TV set. The supplied screws are designed so that they are 8 mm to 12 mm in length when measured from the attaching surface of the mounting hook. The diameter and length of the screws differ depending on the Wall-mount bracket model.

Use of screws other than those supplied may result in internal damage to the TV set or cause it to fall, etc.

8 mm - 12 mm



Screw (supplied with the Wall-mount bracket)
Mounting Hook
Hook attachment on rear of TV set

Transporting

- Before transporting the TV set, disconnect all cables.
- Two or three people are needed to transport a large TV set.
- When transporting the TV set by hand, hold it as shown below. Do not put stress on the LCD panel and the frame around the screen.

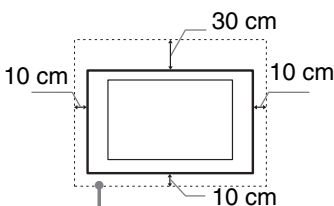


- When transporting the TV set, do not subject it to jolts or excessive vibration.
- When transporting the TV set for repairs or when moving, pack it using the original carton and packing material.

Ventilation

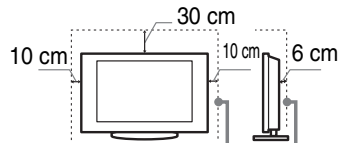
- Never cover the ventilation holes or insert anything in the cabinet.
- Leave space around the TV set as shown below.
- It is strongly recommended that you use a Sony wall-mount bracket in order to provide adequate air-circulation.

Installed on the wall



Leave at least this space around the set.

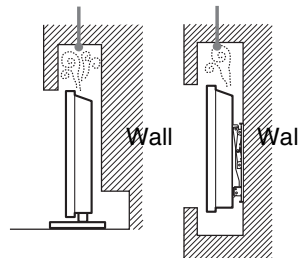
Installed with stand



Leave at least this space around the set.

- To ensure proper ventilation and prevent the collection of dirt or dust:
 - Do not lay the TV set flat, install upside down, backwards, or sideways.
 - Do not place the TV set on a shelf, rug, bed or in a closet.
 - Do not cover the TV set with a cloth, such as curtains, or items such as newspapers, etc.
 - Do not install the TV set as shown below.

Air circulation is blocked.



AC power cord

Handle the AC power cord and outlet as follows in order to avoid any risk of fire, electrical shock or damage and/or injuries:

- Use only Sony supplied AC power cords, not those of other brands.
- Insert the plug fully into the AC power outlet.
- Operate the TV set on a 110 V AC supply only.

- When wiring cables, be sure to unplug the AC power cord for your safety and take care not to catch your feet on the cables.
- Disconnect the AC power cord from the AC power outlet before working on or moving the TV set.
- Keep the AC power cord away from heat sources.
- Unplug the AC power plug and clean it regularly. If the plug is covered with dust and it picks up moisture, its insulation may deteriorate, which could result in a fire.

Notes

- Do not use the supplied AC power cord on any other equipment.
- Do not pinch, bend, or twist the AC power cord excessively. The core conductors may be exposed or broken.
- Do not modify the AC power cord.
- Do not put anything heavy on the AC power cord.
- Do not pull on the AC power cord itself when disconnecting the AC power cord.
- Do not connect too many appliances to the same AC power outlet.
- Do not use a poor fitting AC power outlet.

Prohibited Usage

Do not install/use the TV set in locations, environments or situations such as those listed below, or the TV set may malfunction and cause a fire, electrical shock, damage and/or injuries.

Location:

- Outdoors (in direct sunlight), at the seashore, on a ship or other vessel, inside a vehicle, in medical institutions, unstable locations, near water, rain, moisture or smoke.

- If the TV is placed in the changing room of a public bath or hot spring, the TV may be damaged by airborne sulfur, etc.



- For best picture quality, do not expose the screen to direct illumination or sunlight.
- Avoid moving the TV from a cold area to a warm area. Sudden room temperature changes may cause moisture condensation. This may cause the TV to show poor picture and/or poor colour. Should this occur, allow moisture to evaporate completely before powering the TV on.
- Never spray water or detergent directly on the TV set. It may drip to the bottom of the screen or exterior parts and enter the TV set, and may cause damage to the TV set.



Environment:

- Places that are hot, humid, or excessively dusty; where insects may enter; where it might be exposed to mechanical vibration, near flammable objects (candles, etc). The TV set shall not be exposed to dripping or splashing and no objects filled with liquids, such as vases, shall be placed on the TV.
- Do not place the TV in a humid or dusty space, or in a room with oily smoke or steam (near cooking tables or humidifiers). Fire, electric shock, or warping may result.

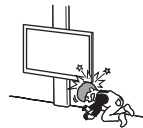


- Do not install the TV in places subject to extreme temperature such as in direct sunlight, near a radiator or a heating vent. The TV may overheat in such condition which can cause deformation of the enclosure and/or TV malfunction.



Situation:

- Do not use when your hands are wet, with the cabinet removed, or with attachments not recommended by the manufacturer. Disconnect the TV set from AC power outlet and antenna during lightning storms.
- Do not install the TV so that it sticks out into an open space. Injury or damage from a person or object bumping into the TV may result.



Broken pieces:

- Do not throw anything at the TV set. The screen glass may break by the impact and cause serious injury.
- If the surface of the TV set cracks, do not touch it until you have unplugged the AC power cord. Otherwise electric shock may result.

When not in use

- If you will not be using the TV set for several days, the TV set should be disconnected from the AC power for environmental and safety reasons.
- As the TV set is not disconnected from the AC power when the TV set is just turned off, pull the plug from the AC power outlet to disconnect the TV set completely.
- However, some TV sets may have features that require the TV set to be left in standby to work correctly.

For children

- Do not allow children to climb on the TV set.
- Keep small accessories out of the reach of children, so that they are not mistakenly swallowed.

If the following problems occur...

Turn off the TV set and unplug the AC power cord immediately if any of the following problems occur.

Ask your dealer or Sony service centre to have it checked by qualified service personnel.

When:

- AC power cord is damaged.
- Poor fitting of AC power outlet.
- TV set is damaged by being dropped, hit or having something thrown at it.
- Any liquid or solid object falls through openings in the cabinet.

About LCD Monitor Temperature

When the LCD Monitor is used for an extended period, the panel surrounds become warm. You may feel hot when touching there by the hand.

Precautions

Viewing the TV

- Some people may experience discomfort (such as eye strain, fatigue, or nausea) while watching 3D video images or playing stereoscopic 3D games. Sony recommends that all viewers take regular breaks while watching 3D video images or playing stereoscopic 3D games. The length and frequency of necessary breaks will vary from person to person. You must decide what works best. If you experience any discomfort, you should stop watching the 3D video images or playing stereoscopic 3D games until the discomfort ends; consult a doctor if you believe necessary. You should also review (i) the instruction manual of any other device or media used with this television and (ii) our website (<http://www.sony-asia.com/support>) for the latest information. The vision of young children (especially those under six years old) is still under development. Consult your doctor (such as a pediatrician or eye doctor) before allowing young children to watch 3D video images or play stereoscopic 3D games. Adults should supervise young children to ensure they follow the recommendations listed above.
- Do not use, store, or leave the 3D Glasses or battery near a fire, or in places with a high temperature, e.g., in direct sunlight, or in sun-heated cars.
- When using the simulated 3D function, please note that the displayed image is modified from the original due to the conversion done by this television.

- View the TV in moderate light, as viewing the TV in poor light or during long period of time, strains your eyes.
- When using headphones, adjust the volume so as to avoid excessive levels, as hearing damage may result.

LCD Screen

- Although the LCD screen is made with high-precision technology and 99.99% or more of the pixels are effective, black dots may appear or bright points of light (red, blue, or green) may appear constantly on the LCD screen. This is a structural property of the LCD screen and is not a malfunction.
- Do not push or scratch the front filter, or place objects on top of this TV set. The image may be uneven or the LCD screen may be damaged.
- If this TV set is used in a cold place, a smear may occur in the picture or the picture may become dark. This does not indicate a failure. These phenomena disappear as the temperature rises.
- Ghosting may occur when still pictures are displayed continuously. It may disappear after a few moments.
- The screen and cabinet get warm when this TV set is in use. This is not a malfunction.
- The LCD screen contains a small amount of liquid crystal. Follow your local ordinances and regulations for disposal.
- Do not subject the LCD screen to any strong impact or shock. The screen glass may crack or shatter and cause injury.

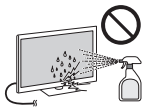


Handling and cleaning the screen surface/cabinet of the TV set

Be sure to unplug the AC power cord connected to the TV set from AC power outlet before cleaning.

To avoid material degradation or screen coating degradation, observe the following precautions.

- To remove dust from the screen surface/cabinet, wipe gently with a soft cloth. If dust is persistent, wipe with a soft cloth slightly moistened with a diluted mild detergent solution.
- Never spray water or detergent directly on the TV set. It may drip to the bottom of the screen or exterior parts and enter the TV set, and may cause damage to the TV set.



- Never use any type of abrasive pad, alkaline/acid cleaner, scouring powder, or volatile solvent, such as alcohol, benzene, thinner or insecticide. Using such materials or maintaining prolonged contact with rubber or vinyl materials may result in damage to the screen surface and cabinet material.
- Periodic vacuuming of the ventilation openings is recommended to ensure to proper ventilation.
- When adjusting the angle of the TV set, move it slowly so as to prevent the TV set from moving or slipping off from its table stand.

Optional Equipment

- Keep optional components or any equipment emitting electromagnetic radiation away from the TV set. Otherwise picture distortion and/or noisy sound may occur.

(Caution about handling the remote)

Notes

- Observe the correct polarity when inserting batteries.
- Do not use different types of batteries together or mix old and new batteries.
- Dispose of batteries in an environmentally friendly way. Certain regions may regulate the disposal of batteries. Please consult your local authority.
- Handle the remote with care. Do not drop or step on it, or spill liquid of any kind onto it.
- Do not place the remote in a location near a heat source, a place subject to direct sunlight, or a damp room.

Wireless Function of the unit

- Do not operate this unit near medical equipment (pacemaker, etc.), as malfunction of the medical equipment may result.
- Although this unit transmits/receives scrambled signals, be careful of unauthorised interception. We cannot be responsible for any trouble as a result.

處理廢棄電池

為了保護我們的環境，請依當地法規之規定處理好廢棄電池。



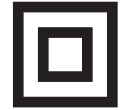
廢電池請回收

產品名稱： 液晶電視
型號： KDL-65HX950
KDL-55HX950
KDL-55HX850
KDL-46HX850



廢電池請回收

額定電壓： 110 V ~
額定頻率： 60 Hz
消耗功率： KDL-65HX950 (251 W)
KDL-55HX950 (180 W)
KDL-55HX850 (150 W)
KDL-46HX850 (120 W)



製造年份： 如機體上標示
機器號碼： 如機體上標示
生產國別： 日本
製造廠商： Sony EMCS Corporation
進口商： 台灣索尼股份有限公司
地址： 台北市長春路 145 號 5 樓

Sony 客服中心
客服諮詢電話： 4499111 (行動電話撥打請加 02)
海外來電請撥： 886-2-77140021
服務網頁 <http://www.sony.com.tw/service/>

本電視機的使用說明書內含“安裝壁掛式支架”的相關說明。



4-411-859-E2(1)

<http://www.sony.net/>