

SONY®

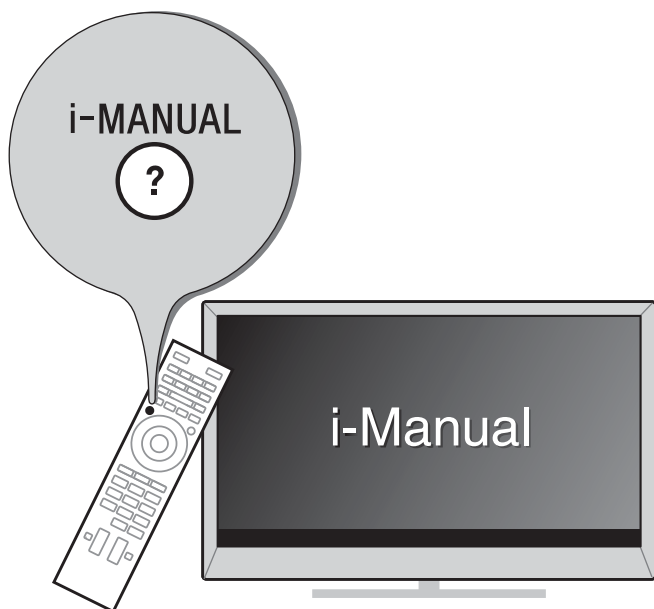
LED TV

Operating Instructions

GB

คู่มือการใช้งาน

TH



BRAVIA

KDL-55W954A / 55W904A / 46W954A / 46W904A

Introduction

Thank you for choosing this Sony product. Before operating the TV, please read this manual thoroughly and retain it for future reference.



- Instructions about "Installing Wall Mount Bracket" are included within this TV's instructions manual.
- The illustrations used in this manual may differ depending on your TV model.
- The illustrations of the remote control used in this manual are of the RM-GD026 unless otherwise stated.
- Before operating the TV, please read page 31 (Safety Information). Retain this manual for future reference.

Trademark information

The terms HDMI and HDMI High-Definition Multimedia Interface, and the HDMI Logo are trademarks or registered trademarks of HDMI Licensing LLC in the United States and other countries.

DLNA®, the DLNA Logo and DLNA CERTIFIED® are trademarks, service marks, or certification marks of the Digital Living Network Alliance.

Manufactured under license from Dolby Laboratories.

"BRAVIA" and BRAVIA are trademarks of Sony Corporation. TrackID is a trademark or registered trademark of Sony Mobile Communications AB.

Music and video recognition technology and related data are provided by Gracenote®. Gracenote is the industry standard in music recognition technology and related content delivery. For more information, please visit www.gracenote.com.

CD, DVD, Blu-ray Disc, and music and video-related data from Gracenote, Inc., copyright © 2000-present Gracenote. Gracenote Software, copyright © 2000-present Gracenote. One or more patents owned by Gracenote apply to this product and service. See the Gracenote website for a non-exhaustive list of applicable Gracenote patents.

Gracenote, MusicID, VideoID, Video Explore, the Gracenote logo and logotype, and the "Powered by Gracenote" logo are either registered trademarks or trademarks of Gracenote in the United States and/or other countries.

Opera® Devices SDK from Opera Software ASA. Copyright 1995-2013 Opera Software ASA. All rights reserved.

Wi-Fi, Wi-Fi Direct and Miracast are marks or registered marks of the Wi-Fi Alliance.

"Blu-ray Disc", "Blu-ray" and "Blu-ray Disc" logo are trademarks of Blu-ray Disc Association.

"Sony Entertainment Network logo" and "Sony Entertainment Network" are trademarks of Sony Corporation.

MHL, Mobile High-Definition Link and the MHL Logo are trademarks or registered trademarks of MHL Licensing, LLC.

Manufactured under license from DTS Licensing Limited. For U.S. and worldwide patent and trademark information, see www.dts.com/patents/legacy.aspx.

(c) DTS Licensing Limited and DTS, Inc. 2012.

The Bluetooth® word mark and logos are owned by the Bluetooth SIG, Inc. and any use of such marks by Sony Corporation is under license. Other trademarks and trade names are those of their respective owners.

Color IQ and the Color IQ logo are trademarks of QD Vision, Inc.

HDMI[™]
HIGH-DEFINITION MULTIMEDIA INTERFACE



KDL-55/46W954A only:

The N Mark is a trademark or registered trademark of NFC Forum, Inc. in the United States and in other countries.



Notice for customers in Thailand

This telecommunication equipment conforms to NTC technical requirement.

Location of the identification label

Labels for Model No. and Power Supply rating (in accordance with applicable safety regulation) and Manufacturing date are located on the rear of the TV. For W954A series TV models, they can be found by removing the rear cover.

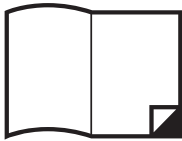
About this manual

(Operating Instructions)

This manual explains how to set up your TV. For more information on how to use BRAVIA TV, refer to the “Electronic manual”.

Operating Instructions

Explains how to set up your TV such as connections, initial set-up, and basic operations.

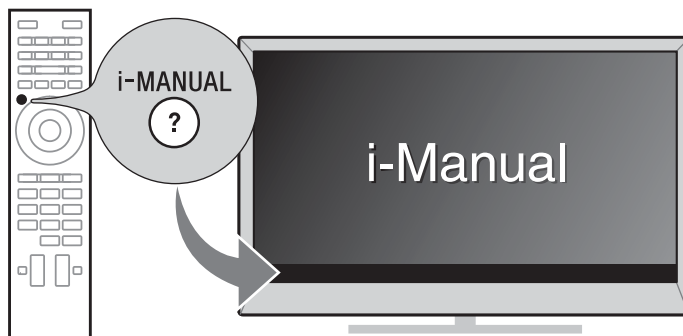


For more information, press the **i-MANUAL** button



Electronic manual (i-Manual)

Explains how to use all the features. See page 22 on how to use the i-Manual.



Images and illustrations used in this manual may differ from the actual screen.

Table of Contents

Getting Started

Checking the accessories.....	6
Inserting batteries into the remote control.....	6
1: Attaching the Table-Top Stand	7
2: Adjusting the viewing angle of the TV	8
3: Connections	8
4: Preventing the TV from toppling over.....	13
5: Bundling the cables	13
6: Connecting the TV to the Internet.....	14
7: Performing the initial set-up.....	15

GB

Using Your BRAVIA TV

Watching TV ▶	17
Selecting various functions and settings (Home Menu).....	19
Watching Internet Video	21

Looking for Instructions

Looking for instructions in the electronic manual (i-Manual) ▶	22
---	-----------

Additional Information

Troubleshooting.....	24
Specifications	25
Installing the Accessories (Wall-Mount Bracket).....	27
Safety Information.....	31
Precautions.....	32

Checking the accessories

Remote Control (1)

One-touch Remote Control (1)

(KDL-55/46W954A only)

Size AAA batteries (R03 type) (2)

(except KDL-55/46W954A only)

Size AAA batteries (R03/LR03 type) (4)

(KDL-55/46W954A only)

Table-Top Stand (1)*

Rear cover

(KDL-55/46W954A only)

Fixing screws for Table-Top Stand (M5 x 16) (4)

(M5 x 16) (4)

Assembling screws for Table-Top Stand (M5 x 16) (3)

(M5 x 16) (3)

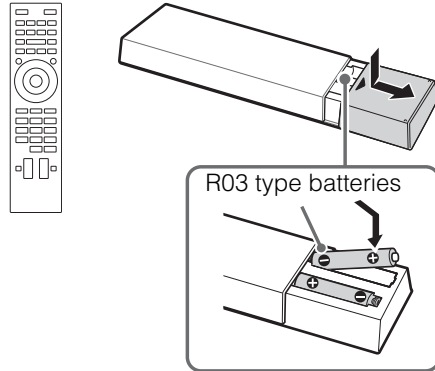
Active 3D Glasses (battery included) (4)

(KDL-55/46W954A, KDL-55/46W904A only)

Operating Instructions (this manual) and other documents

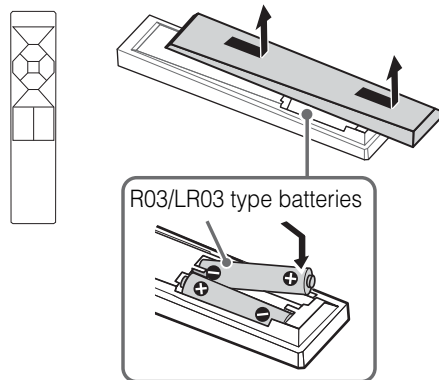
* Refer to the supplied Table-Top Stand leaflet to assemble the Table-Top Stand.

Inserting batteries into the remote control



- 1 Remove the protection sheet.
- 2 Push and slide the cover to open.

KDL-55/46W954A only



- 1 Remove the protection sheet.
- 2 Push and slide the cover to open.



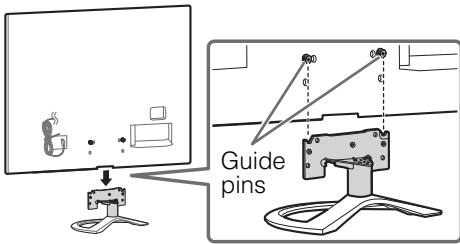
- One-touch Remote Control can only be used after registration with the TV. For more information on how to register, press **i-MANUAL**, then select “Table of Contents” → “Configuring Various Settings” → “General Settings” → “Setting One-touch Remote Control”.

1: Attaching the Table-Top Stand

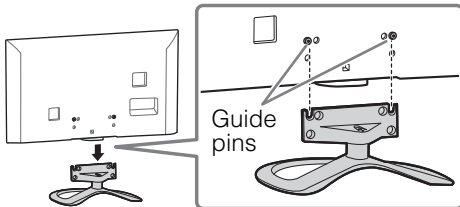
Refer to the supplied Table-Top Stand leaflet for proper attachment.

1 Place the TV set on the Table-Top Stand.

KDL-55/46W954A

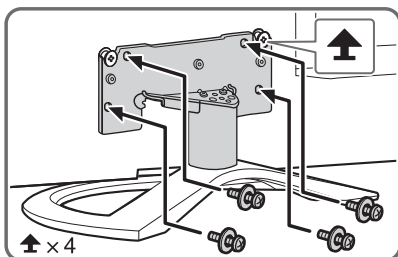


Except KDL-55/46W954A

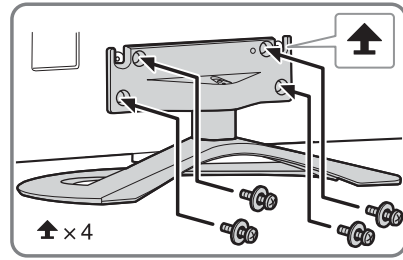


2 Fix the TV to the Table-Top Stand using the supplied screws. The arrow marks **↑** indicate the location of the screw holes used for securing the Table-Top Stand.

KDL-55/46W954A

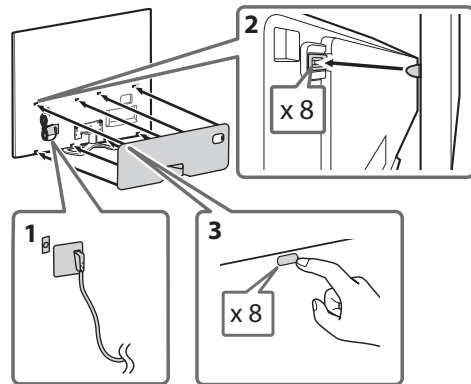


Except KDL-55/46W954A



- If using an electric screwdriver, set the torque at approximately 1.5 N·m {15 kgf·cm}.

3 Fix the rear cover (KDL-55/46W954A only).



- Be careful when pulling out the AC power cord to avoid the rear cover from pop out.

Detaching the Table-Top Stand from the TV

To detach the Table-Top Stand from the TV, remove the screws **↑** fixed in step 2.

- Do not remove the Table-Top Stand for any reason other than to install corresponding accessories on the TV.
- When removing the Table-Top Stand from the TV, lay the display face down on a stable work surface that is larger than the TV.
- To prevent damaging the surface of the LCD display, make sure to place a soft cloth on the work surface.

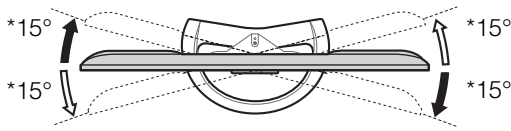
2: Adjusting the viewing angle of the TV

This TV can be adjusted within the angles as illustrated.

■ Angle adjustment (Swivel)



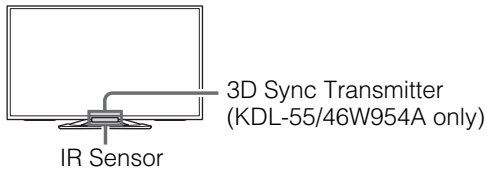
- When adjusting the angle, hold the stand with one hand to avoid having the stand slip or TV tip over.



* The angle is approximate value.



- Ensure that there are no objects in front of the TV.



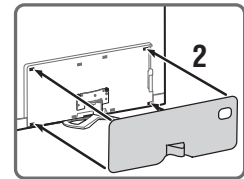
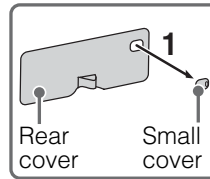
3: Connections



- Use an antenna (aerial) cable connector no greater than 14 mm in thickness.
- Use an HDMI cable connector within 12 mm (thickness) × 21 mm (width).
- For more information on connections, refer to the i-Manual.

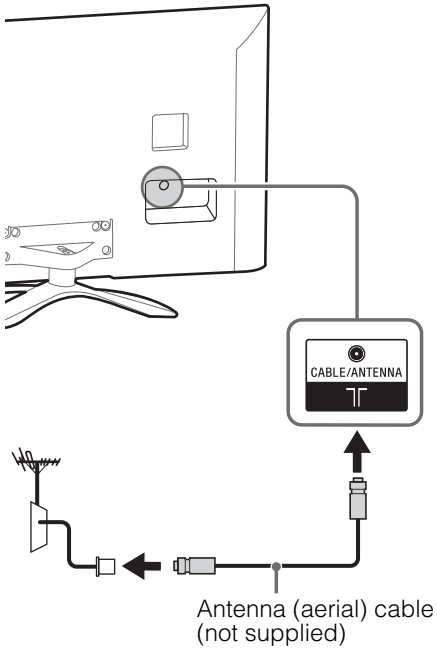
KDL-55/46W954A only

Before connecting to VIDEO IN 1, VIDEO IN 2 and/or COMPONENT IN, be sure to attach rear cover. Make sure the small cover is removed before attach it.



Connecting an antenna (aerial)/cable/VCR

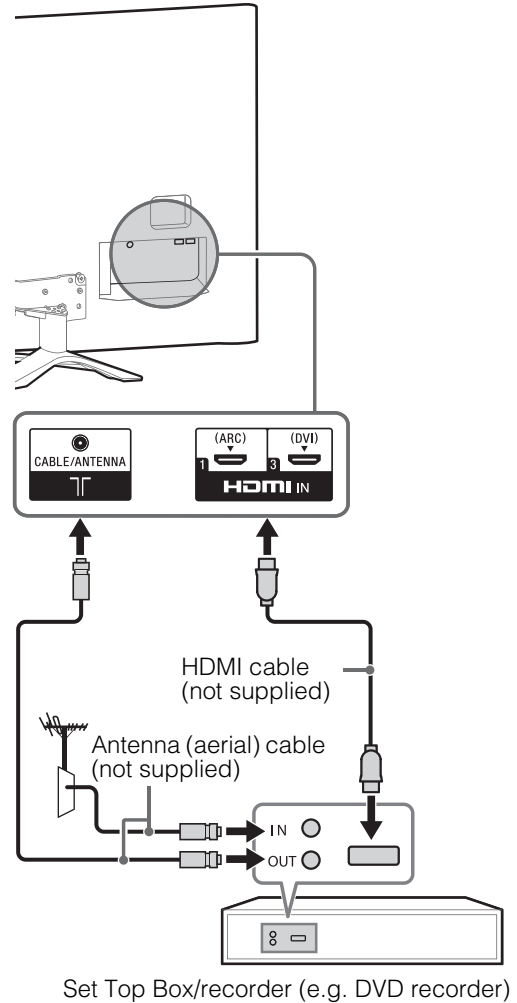
■ To connect an antenna (aerial)/cable



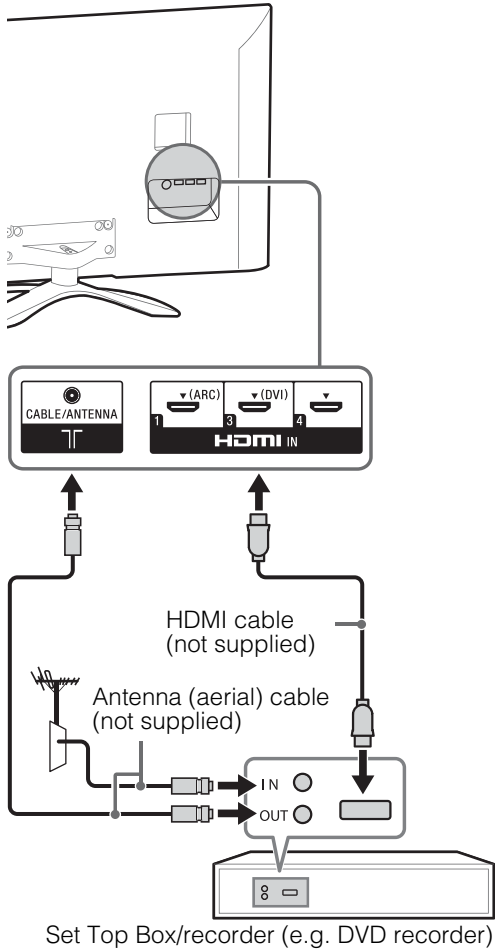
■ To connect a Set Top Box/recorder (e.g. DVD recorder) with HDMI

KDL-55/46W954A

GB

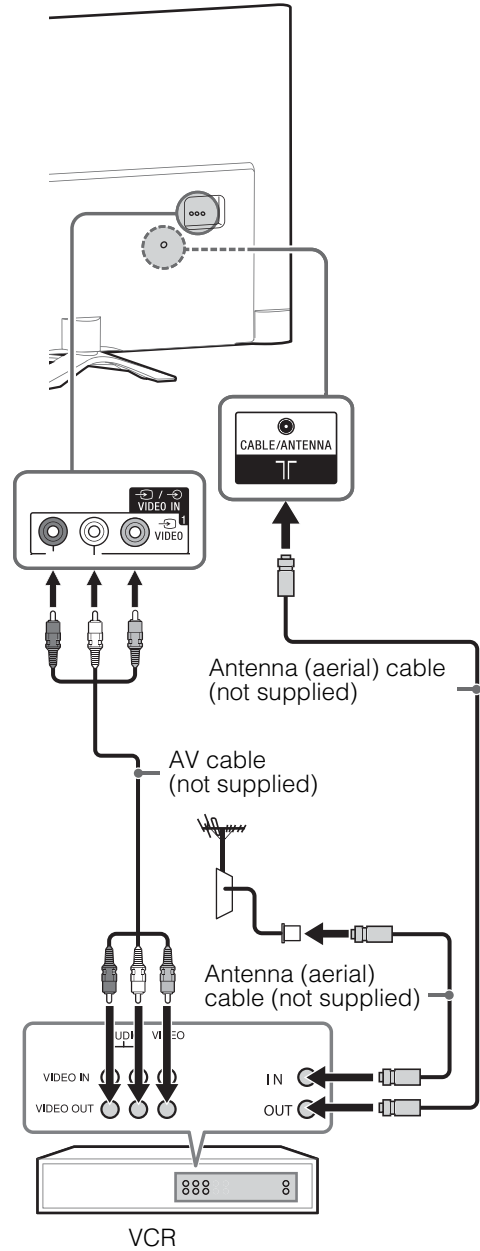


Except KDL-55/46W954A



■ Connecting an antenna (aerial)/cable and VCR

KDL-55/46W954A

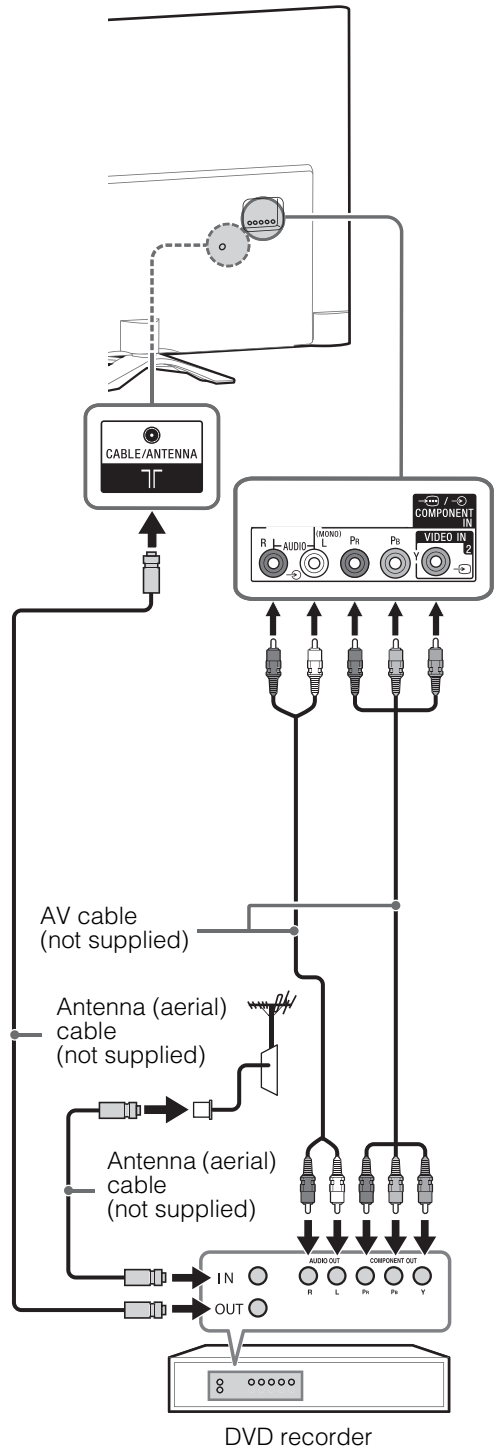
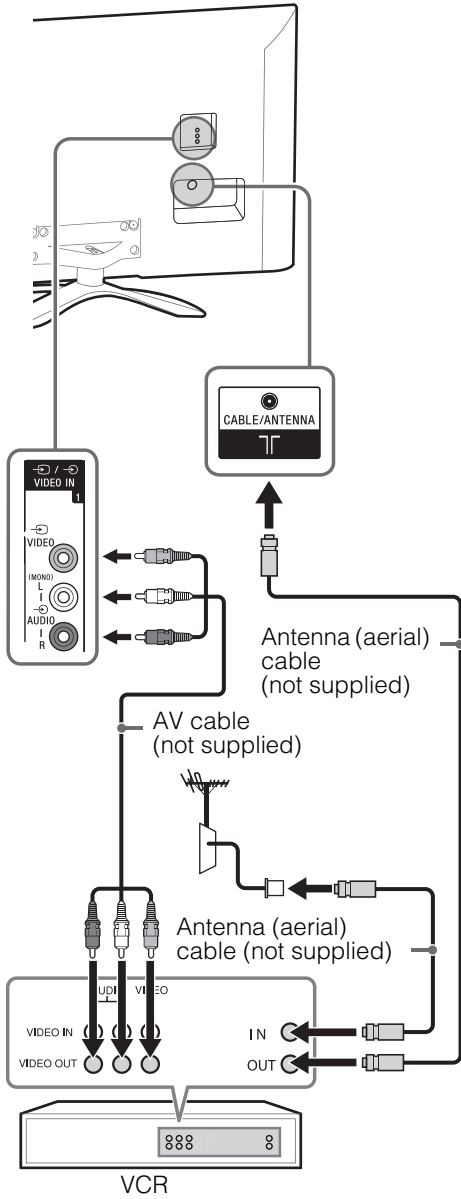


Except KDL-55/46W954A

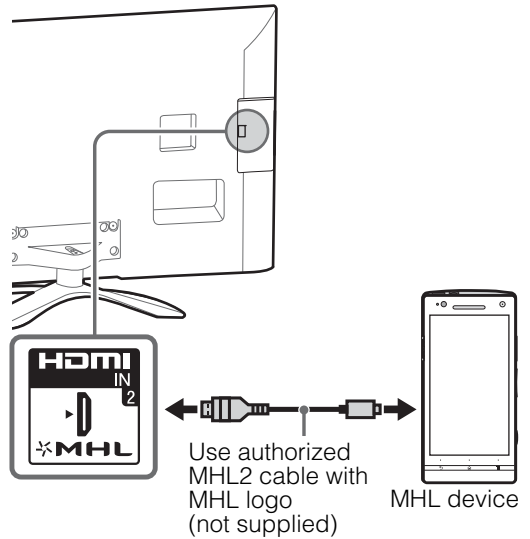
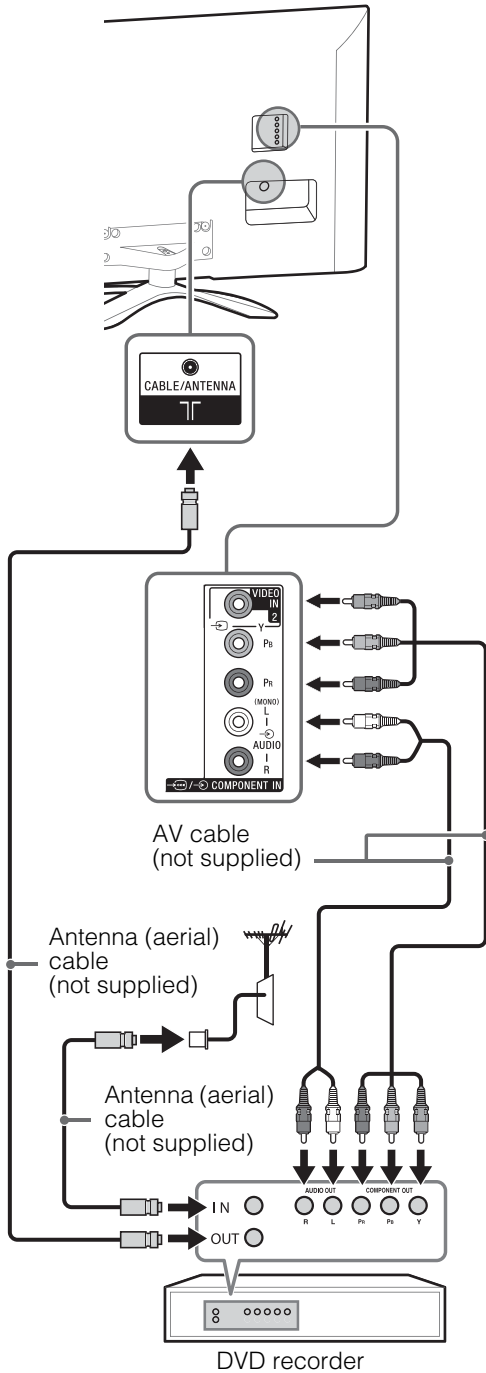
Connecting audio/video devices

KDL-55/46W954A

GB



Connecting MHL device

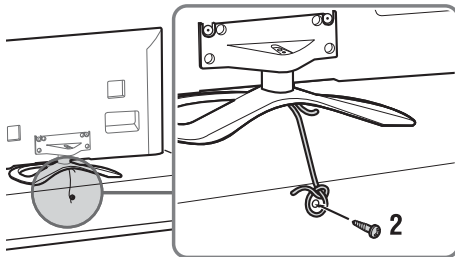
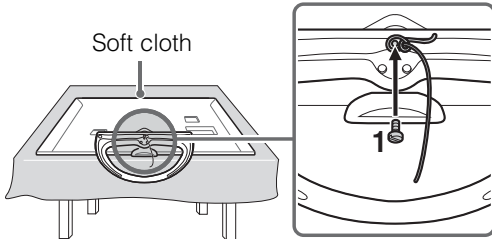


The MHL (Mobile High-Definition Link) enables the TV to communicate with a connected MHL-compatible device. The TV can charge the connected MHL-compatible device while playing photo/music/video from it. You can use the TV remote control to control the connected MHL-compatible device.



- If "Auto Input Change (MHL)" is set to "On", the TV automatically switches to HDMI IN 2/MHL from other input when MHL-compatible device is connected to HDMI IN 2/MHL jack. The availability of "Auto Input Change (MHL)" depends on whether the MHL-compatible device can support this feature.
- You can continue normal usage of the connected MHL-compatible device (such as receiving calls) depending on its capability.
- Some remote control functions may not be available depending on features of the connected MHL-compatible device. Please refer to the device manual for details.
- If "MHL Charging during Standby" is set to "On", you can continue charging the MHL-compatible device even when the TV is in standby mode.
- This product is officially MHL-certified for operation with other MHL-certified devices. If you encounter any problems when using the MHL function, please consult the device manufacturer for support.

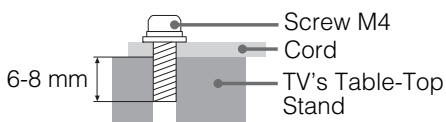
4: Preventing the TV from toppling over



- Before install the machine screw, lay the display face down on a stable work surface that is larger than the TV.
- To prevent damaging the surface of the LCD display, make sure to place a soft cloth on the work surface.

- 1** Install a machine screw (M4, not supplied) into the screw hole of the TV and tie with a strong cord (not supplied).
- 2** Install a wood screw (not supplied) in the TV stand. Then, tie the strong cord to the wood screw.

The length of the M4 machine screw differs depending on the cord diameter. Please see below illustration.



5: Bundling the cables

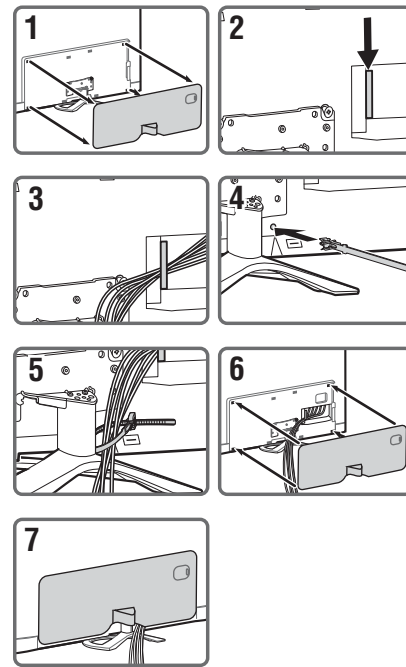
Before bundling the cables, remove the cable holder from the AC cover. Reuse the cable holder to bundle the other cables.



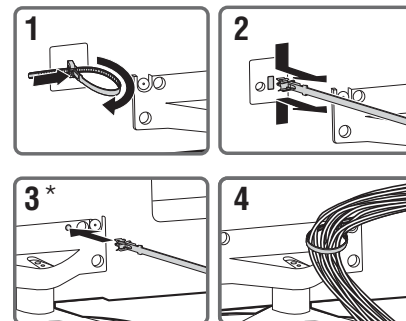
- Do not bundle the AC power cord (mains lead) together with other cables.
- Do not bundle the AV cables together with other cables (KDL-55/46W954A only).

GB

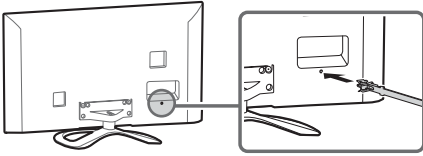
KDL-55/46W954A



Except KDL-55/46W954A



* When installing on the wall, attach the cable holder under the terminals.



6: Connecting the TV to the Internet

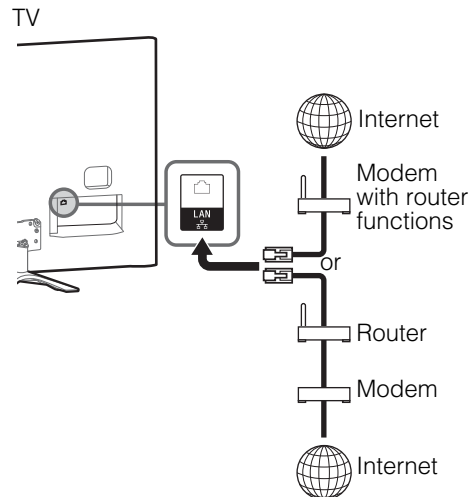
When you connect this TV to the Internet, you can enjoy multiple functions. For details on the functions, refer to the i-Manual.



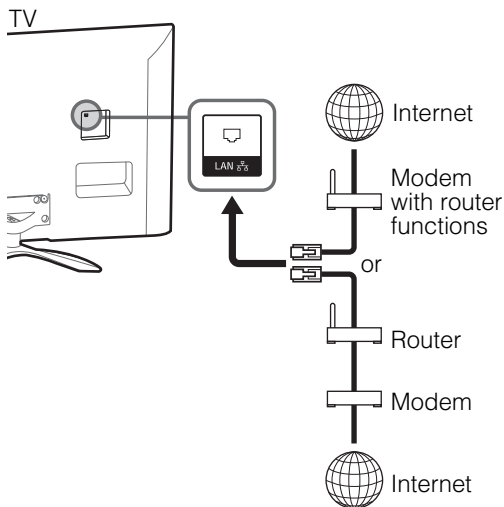
- You will need to contract with an Internet service provider to connect to the Internet.

Preparing a wired network

KDL-55/46W954A



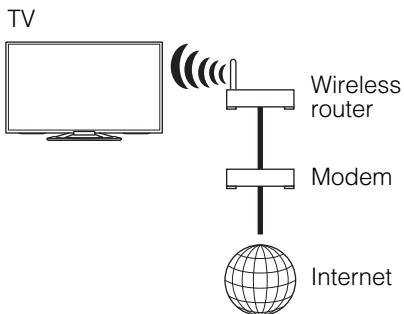
Except KDL-55/46W954A



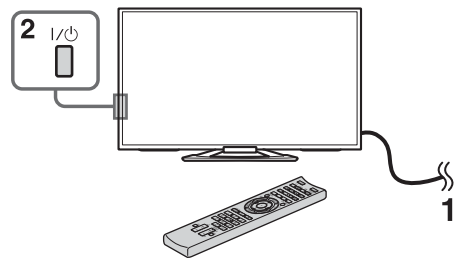
- For LAN connections, use a Category 7 cable (not supplied).
- Be sure to remove the rear cover before connecting to LAN terminal (KDL-55/46W954A only).

Preparing a wireless LAN

The built-in wireless LAN device allows you to access the Internet and your home network. With this feature, you can connect to a wireless LAN and enjoy the benefits of networking in a cable-free environment. Before setting up the wireless LAN function of the TV, be sure to set up a wireless LAN router.



7: Performing the initial set-up

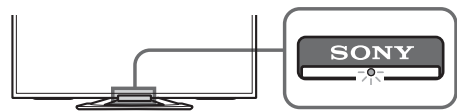


GB

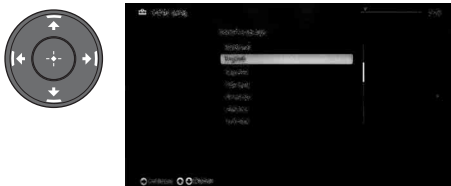
- 1 Connect the TV to your AC power outlet (mains socket).
- 2 Press **I/⏻** on the TV. The illumination LED will light up in white. When you switch on the TV for the first time, the Language menu appears on the screen.



- When you turn on the TV for the first time, the TV requires some internal processing for optimisation before you can perform the initial setup. There will be no picture and sound, and the illumination LED on the front of the TV blinks white for about 40 seconds. Do not turn off the TV during this process. This process has been completed at the factory for some TVs.
- The illumination LED lights up in different colours according to the status of the TV. If you do not wish to light up the illumination LED, you can turn it off later. Press **HOME**, then select "Settings" → "System Settings" → "General Set-up" → "Illumination LED" → "Off". You can also press **OPTIONS**, then select "Illumination LED" → "Off".



- 3** Press **▲/▼/◀/▶** to select an item, then press **⊕**.
Follow the instructions on the screen.



Programme Sorting: Changes the order of analogue channels stored in the TV.

- 1** Press **▲/▼** to select the channel you want to move to a new position, then press **⊕**.
- 2** Press **▲/▼** to select the new position for the channel, then press **⊕**.



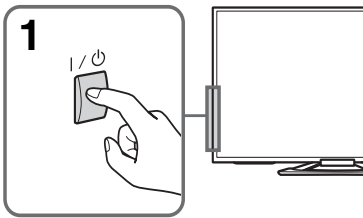
- You can also tune channels manually.

Network Set-up: Sets up the Internet settings. If you do not access the Internet, or to set up later, select “Skip”. After you select “Continue” or “Start” (depending on model) at the Internet setup confirmation screen, select “Auto” to connect to the network automatically. Select “Custom” to connect manually.



- If you use WEP security, select “Custom” → “Wireless Set-up” → “Scan”. Then, select the network name (SSID) you want to connect. If you cannot find the required network name, select “[Manual Entry]” and press **⊕** to enter network name.
- To set “Network Set-up” later, press **HOME**, then select “Settings” → “Network” → “Network Set-up”.
- Use the optional USB Wireless LAN Adapter to connect with your wireless router (or access point) at 5GHz. Insert USB Wireless LAN Adapter and set “Wi-Fi Direct” to “Off”. Press **HOME**, then select “Settings” → “Network” → “Wi-Fi Direct” → “Off”.

Watching TV



1 Turn on the TV.

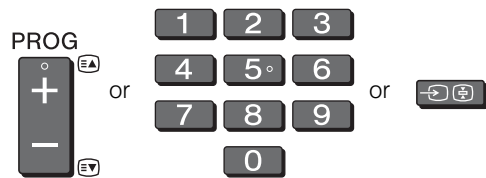
Press **I/⏻** on the TV or remote control to turn on the TV.

2 Select a mode.



GB

3 Select a TV channel or select an input.

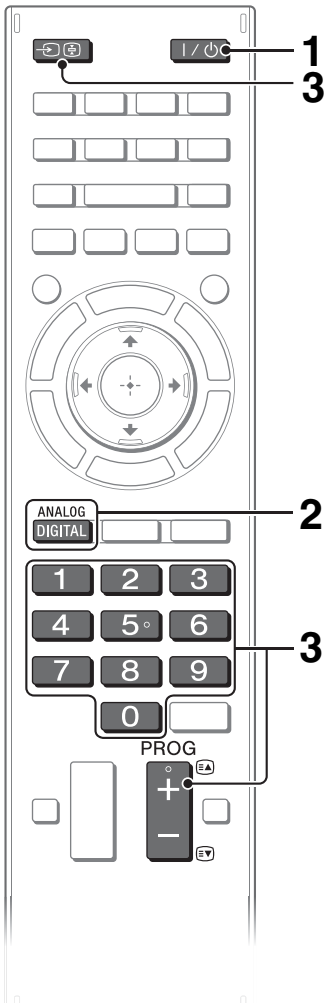


■ To select digital channels

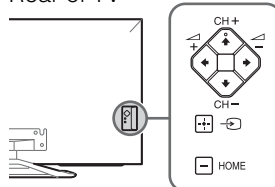
Use **0-9**. For channel numbers 10 and above, press the next digit quickly.



- See below illustration for location of the **CH+/-**, **▲+/-**, **▲/▼/◀/▶**, **→**, **+** and **HOME** buttons on the TV.

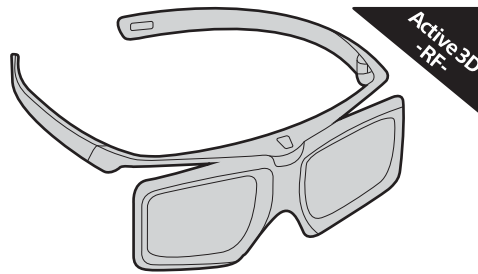


Rear of TV

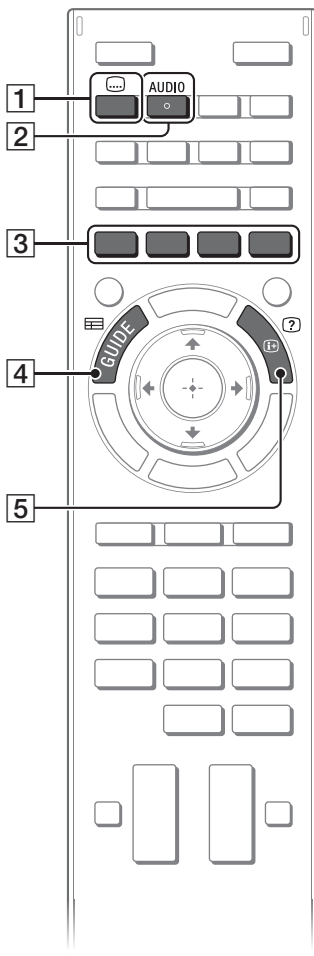


Watching 3D contents

This feature lets you experience powerful 3D entertainment, such as stereoscopic 3D games and 3D Blu-ray Disc. Refer to the i-Manual as well as the instruction manual supplied with the 3D Glasses on how to set the 3D settings or watch the 3D contents.



Frequently used buttons



1 **Subtitle setting**

You can turn subtitle on/off while watching digital broadcasting.

2 **AUDIO**

You can select the sub sound or secondary language while watching multiplex broadcasts.

3 **Colour buttons**

When the colour buttons are available, an operation guide appears on the screen.

4 **GUIDE**

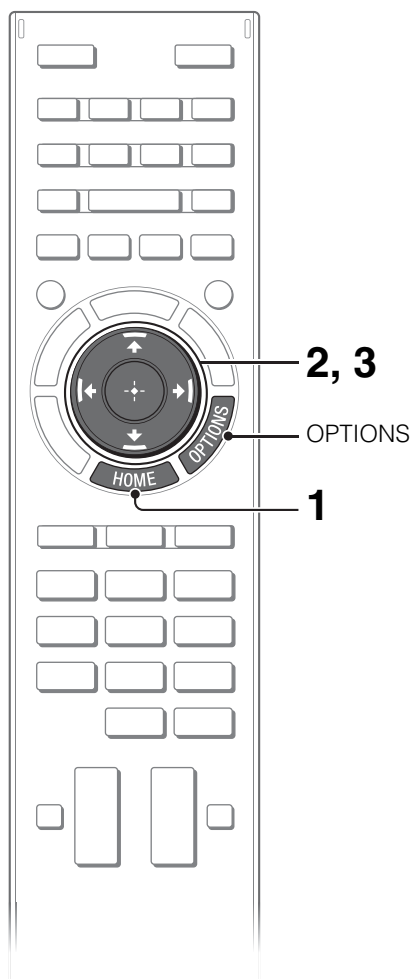
Displays the digital programme guide.

5 **Info/Text reveal**

Displays channel number, details of programmes, and the clock.

Selecting various functions and settings (Home Menu)

You can select the features of your TV from the Home menu.



Here is an example on how to select an item and modify the TV settings.

GB

1 Press HOME.



2 Press \uparrow/\downarrow to select "Settings" category.

The contents of "Settings" are displayed horizontally.



See page 20 (Category list) for all categories.

3 Press \leftarrow/\rightarrow to select a desired setting item, then press \oplus .

4 Modify the settings.

■ To exit the Home menu

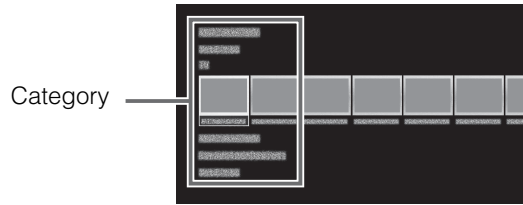
Press **HOME**.

■ To select using the **OPTIONS** button

Press **OPTIONS**.

A list of convenient functions and menu shortcuts are displayed. The menu items vary based on the current input and/or content.

Category list

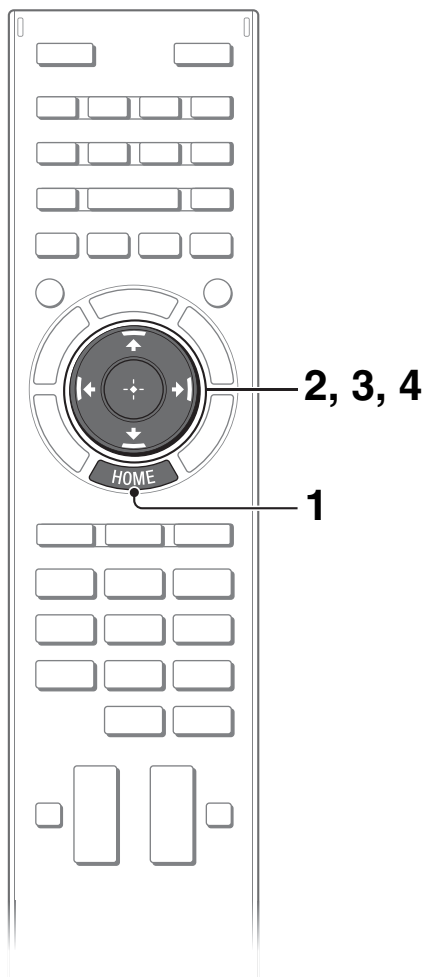


The categories are available depending on your TV model, region and country.

Featured	Provides information on available applications and content. If there is no network connection, or the “Featured Display” setting is set to “Off”, the “Featured” category will not be displayed.
History	Displays recently viewed items.
TV	Allows you to select a list of TV channels, or a programme guide. Programme guide is available depending on your TV model or region. A list of channels registered as favourites in the “TV” category are displayed.
Applications	Launches applications that require an Internet connection, including Media Player which does not require an Internet connection. A list of applications registered as favourites in the “Applications” category are displayed.
Connected Devices	Enables selection of devices connected to the TV.
Settings	Provides settings (e.g. picture settings, sound settings, key tone setting) that allow you to customise your TV.

Watching Internet Video

This feature serves as a gateway to Internet content, delivering a variety of on-demand entertainment straight to your TV. You can enjoy video content, including movies and cartoons. You will need to make a broadband Internet connection. For details, see page 14 (6: Connecting the TV to the Internet).



1 Press HOME.



2 Press \uparrow/\downarrow to select “Applications” category.

3 Press \leftarrow/\rightarrow to select “All Applications”, then press \oplus .

4 Press $\uparrow/\downarrow/\leftarrow/\rightarrow$ to select the desired service, then press \oplus .



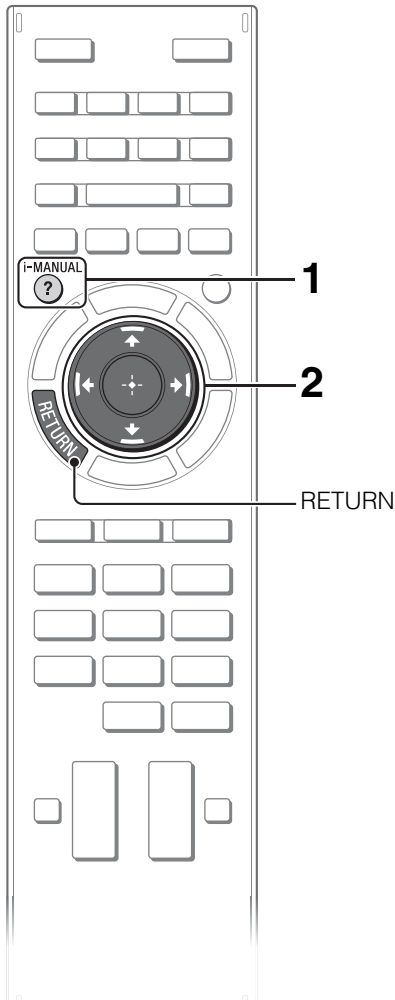
GB



- If you experience difficulties with this feature, check that the Internet connection is set up properly.
- The interface to Internet content depends on the Internet content providers.
- Services block video content based on the “Parental Lock” setting of the TV. Some service providers do not support this function.
- To update Internet Video content services, press **HOME**, then select “Settings” → “Network” → “Refresh Internet Content”.

Looking for instructions in the electronic manual (i-Manual)

Operating instructions are built into your BRAVIA TV and can be displayed on the screen. To learn more about your TV features, access your i-Manual with the touch of a button.

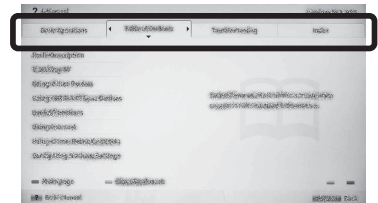


1 Press i-MANUAL.

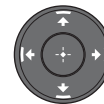


2 Select an item.

1 Press \leftarrow/\rightarrow to select an item.



2 Press $\uparrow/\downarrow/\leftarrow/\rightarrow$ to select an item, then press \oplus .



Arrow mark*

* If an arrow mark appears, press \downarrow repeatedly to display more items.

The page of the selected item appears.



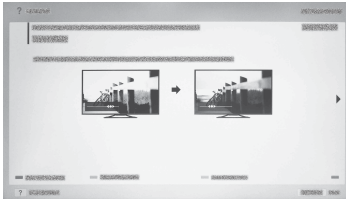
- You can step through pages using \leftarrow/\rightarrow . Press **RETURN** to return to the previous page.

Saving frequently viewed pages (Bookmark)

You can save frequently viewed pages for easy access anytime.

■ To save a page

In the page to bookmark, press the yellow button on the remote control.



■ To access the bookmarked page

When displaying the i-Manual, press the green button on the remote control to display the bookmark list.

Press **▲/▼** to select the desired item, then press **⊕**.



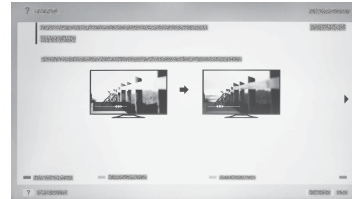
- To return to the previous screen, press **RETURN**.

■ To remove a bookmark

When the bookmarked page is displayed, press the yellow button on the remote control.

Displaying the page again while operating the TV

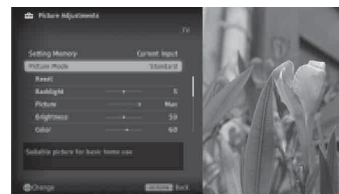
You can switch between the i-Manual screen and the TV screen. This feature allows you to refer to the instructions in the i-Manual while using your BRAVIA TV. Press **i-MANUAL** to switch between the i-Manual screen previously displayed and the TV screen.



i-Manual screen previously displayed



BRAVIA TV screen



- To jump to the top page of i-Manual, press the red button on the remote control. You can also press **HOME**, then select "Settings" → "i-Manual" to jump to the top page of i-Manual.
- Once you turn off the TV or the TV goes to standby mode, the i-Manual will be displayed from the top page when you select "i-Manual".

Troubleshooting

When the illumination LED is flashing in red, count how many times it flashes (interval time is three seconds).

Press **I/⏻** on the TV to turn it off, disconnect the AC power cord (mains lead), and inform your dealer or Sony service centre of how the indicator flashes (number of flashes).

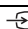
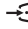
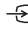




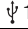
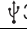

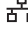

When the illumination LED is not flashing, check the items in the tables as follows.

Also refer to “Troubleshooting” in the i-Manual. If the problem persists, have your TV serviced by qualified service personnel.

Condition	Explanation/Solution
There is no picture (screen is dark) and no sound.	<ul style="list-style-type: none">• Check the antenna (aerial)/cable connection.• Connect the TV to the AC power (mains), and press I/⏻ on the TV or remote control.
Some programmes cannot be tuned.	<ul style="list-style-type: none">• Check the antenna (aerial).
The remote control does not function.	<ul style="list-style-type: none">• Replace the batteries.• Your TV may be in SYNC mode. Press SYNC MENU, select “TV Control” and then select “Home (Menu)” or “Options” to control the TV.
The “Parental Lock” password has been forgotten.	<ul style="list-style-type: none">• Enter 9999 for the PIN code. (PIN code 9999 is always accepted.)
The TV surrounds become warm.	<ul style="list-style-type: none">• When the TV is used for an extended period, the TV surrounds become warm. You may feel hot when touching there by the hand.
Frozen audio or video, a blank screen, or the TV does not respond to TV or remote control buttons.	<ul style="list-style-type: none">• Perform a simple reset of the TV by unplugging the AC power cord (mains lead) for two minutes, then plug it in again.

Specifications

GB

System	
Panel system	LCD (Liquid Crystal Display) Panel
TV system	Analogue: B/G, I, D/K, M, L Digital: DVB-T2 (Depending on your TV model) DVB-T
Colour/video system	Analogue: PAL, SECAM, NTSC3.58, NTSC4.43 Digital: Refer to the i-Manual
Channel coverage	Analogue: UHF/VHF/Cable, Depending on your country/area selection. Digital: UHF/VHF, Depending on your country/area selection.
Sound output	10 W + 10 W
Input/Output jacks	
Antenna (aerial)/cable	75 ohm external terminal for VHF/UHF
 VIDEO IN 1	Video/Audio input (phono jacks)
 COMPONENT IN	YPbPr (Component Video): 1080p (50, 60Hz), 1080i (50, 60Hz), 720p (50, 60Hz), 576p, 576i, 480p, 480i Audio input (phono jacks) Video input (common phono pin with Y input)
 VIDEO IN 2	Video input (common phono pin with Y input)
HDMI IN1, 2, 3, 4	Video (2D): 1080p (30, 50, 60Hz), 1080/24p, 1080i (50, 60Hz), 720p (30, 50, 60Hz), 720/24p, 576p, 576i, 480p, 480i, PC Formats Video (3D): Frame Packing 1080p (30Hz), 1080/24p, 1080i (50, 60Hz), 720p (30, 50, 60Hz), 720/24p Side-by-Side 1080p (50, 60Hz), 1080/24p, 1080i (50, 60Hz), 720p (50, 60Hz) Over-Under 1080p (30, 50, 60Hz), 1080/24p, 1080i (50, 60Hz), 720p (50, 60Hz) Audio: Two channel linear PCM: 32, 44.1 and 48 kHz, 16, 20 and 24 bits, Dolby Digital ARC (Audio Return Channel) (HDMI IN 1 only) Analogue audio input (stereo minijack)
 HDMI 3 AUDIO IN	Analogue audio input (stereo minijack)
MHL (common with HDMI IN 2)	Video (2D): 1080p (30Hz), 1080/24p, 1080i (50, 60Hz), 720p (30, 50, 60Hz), 720/24p, 576p, 576i, 480p, 480i Video (3D): Side-by-Side 1080/24p, 1080i (50, 60Hz), 720p (50, 60Hz) Over-Under 1080p (30Hz), 1080/24p, 1080i (50, 60Hz), 720p (50, 60Hz) Audio: Two channel linear PCM: 32, 44.1 and 48kHz, 16, 20 and 24 bits, Dolby Digital
 DIGITAL AUDIO OUT (OPTICAL)	Digital optical jack (Two channel linear PCM, Dolby Digital)
 AUDIO OUT/ 	Audio output (stereo minijack) Headphones jack
 1,  2,  3	USB port
 LAN	10BASE-T/100BASE-TX connector (Depending on the operating environment of the network, connection speed may differ. 10BASE-T/100BASE-TX communication rate and communication quality are not guaranteed for this TV.)
Others	
Supplied accessories	See "Checking the accessories" (page 6).
Optional accessories	Wall-Mount Bracket: SU-WL400 USB Wireless LAN Adapter: UWA-BR100 One-touch Remote Control: RMF-ED003 (except KDL-55/46W954A only) Camera and Microphone Unit: CMU-BR200/CMU-BR100 Active 3D Glasses: TDG-BT500A 
Operating temperature	0 °C – 40 °C
Operating humidity	10 % – 80 % RH (non-condensing)

Model name KDL-	55W954A	55W904A	46W954A	46W904A
Power and others				
Power requirements	110 V – 240 V AC, 50/60 Hz			
Screen size (measured diagonally)	Approx. 138.8cm/55 inches	Approx. 138.8cm/55 inches	Approx. 116.8cm/46 inches	Approx. 116.8cm/46 inches
Display resolution	1,920 dots (horizontal) × 1,080 lines (vertical)			
Power consumption	Indicated on the rear of the TV			
Dimensions (Approx.) (w × h × d)				
with Table-Top Stand (mm)	1,250 × 765 × 307	1,241 × 756 × 298	1,058 × 657 × 307	1,049 × 648 × 298
without Table-Top Stand (mm)	1,250 × 729 × 115	1,241 × 723 × 61	1,058 × 620 × 115	1,049 × 616 × 61
Mass (Approx.)				
with Table-Top Stand (kg)	28.1	22	23.3	17.3
without Table-Top Stand (kg)	25.6	19.7	20.8	15.2

Optional accessories availability depends on countries/region/TV model/stock.
Design and specifications are subject to change without notice.

Installing the Accessories (Wall-Mount Bracket)

■ To Customers:

For product protection and safety reasons, Sony strongly recommends that installation of your TV be performed by Sony dealers or licensed contractors. Do not attempt to install it yourself.

■ To Sony Dealers and Contractors:

Provide full attention to safety during the installation, periodic maintenance and examination of this product.

GB

Your TV can be installed using the SU-WL400 (page 28) Wall-Mount Bracket (sold separately).

- Refer to the Instructions supplied with the Wall-Mount Bracket to properly carry out the installation.

Sufficient expertise is required for installing this product, especially to determine the strength of the wall for withstanding the TV's weight. Be sure to entrust the attachment of this product to the wall to Sony dealers or licensed contractors and pay adequate attention to safety during the installation. Sony is not liable for any damage or injury caused by mishandling or improper installation.

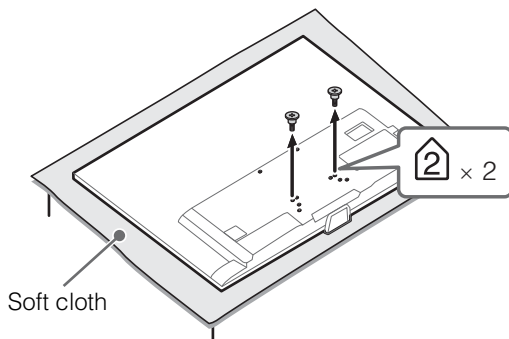
Precautions

Detach the Table-Top Stand from the TV. See "Detaching the Table-Top Stand from the TV" (page 7) for details.

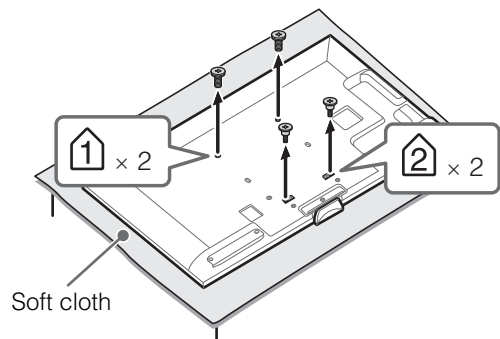
SU-WL400

When installing the TV on the wall, remove the screws from the rear of the TV. Be sure to store the removed screws in a safe place, keeping them away from children.

KDL-55/46W954A



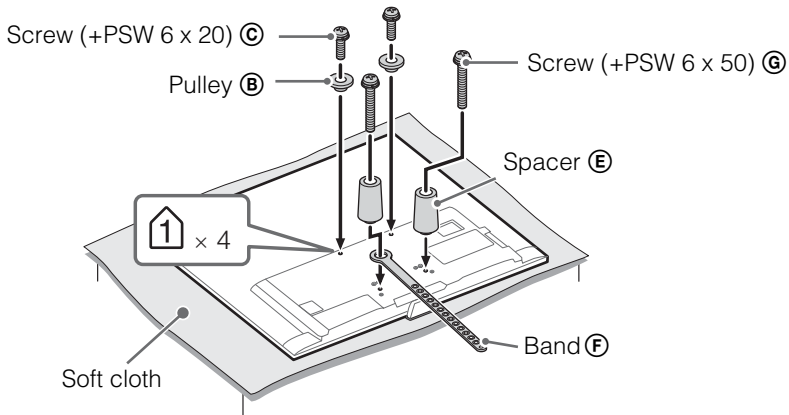
Except KDL-55/46W954A



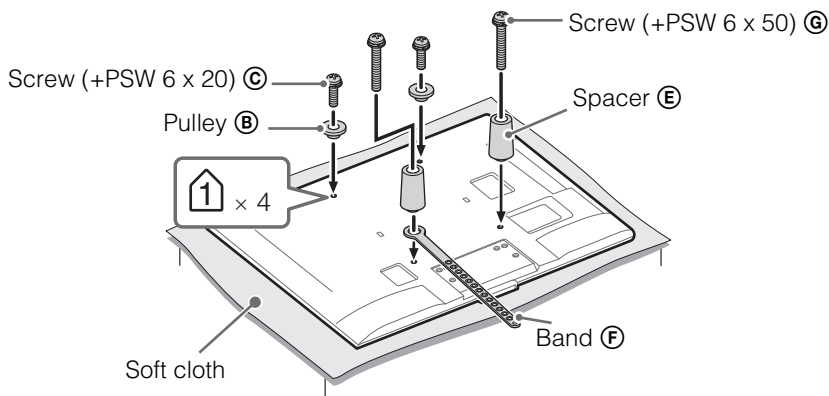
- When removing the Table-Top Stand from the TV, lay the display face down on a stable work surface that is larger than the TV.
- To prevent damaging the surface of the LCD display, make sure to place a soft cloth on the work surface.

SU-WL400

KDL-55/46W954A



Except KDL-55/46W954A



- With the screen of the TV facing down, attach the SU-WL400 accessories. For more details of (B), (C), (E), (F) and (G), refer to Instruction Guide provided with Wall-Mount Bracket.
- Attach the Pulleys and Screws (+PSW6 x 20) to the upper rear of the TV.
- Attach the Band and Spacers with Screws (+PSW6 x 50) to the lower rear of the TV.
- If using an electric screwdriver, set the torque at approximately 1.5 N·m {15 kgf·cm}.
- Screw (+PSW 4 x 20) (D), Bush (M4) (H) and Screw (+PSW 4 x 50) (I) will not be used depends on model. Be sure to store the unused parts in a safe place for future use. Retain this manual for future reference.

Hook locations diagram/table

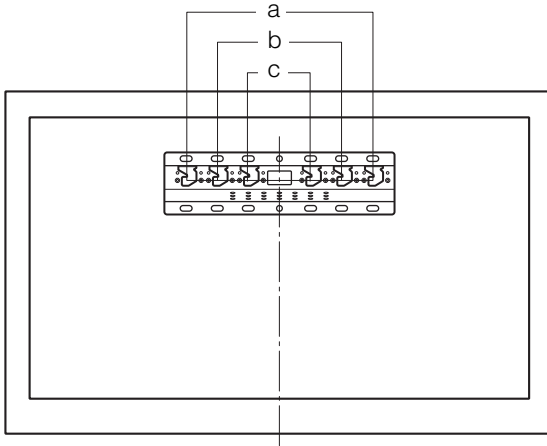
Model Name KDL-	Hook location
	SU-WL400
55W904A	a
46W904A	
55W954A	b
46W954A	

GB

■ SU-WL400

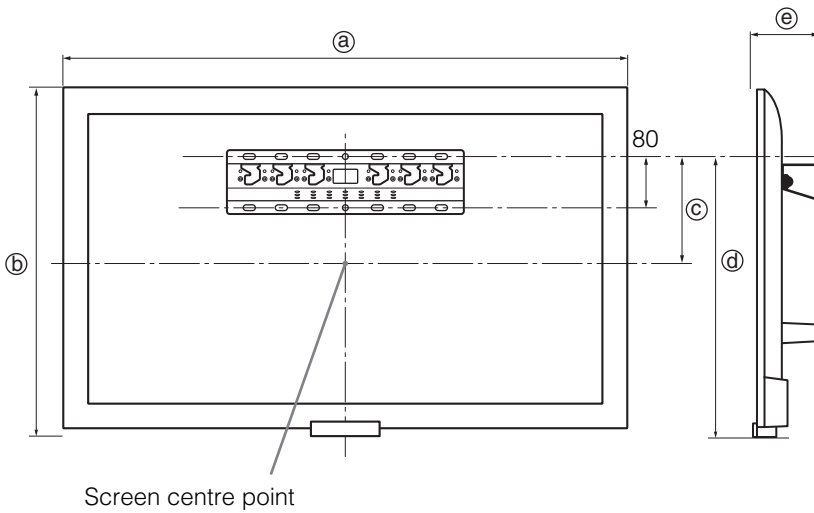
Hook location

When installing the TV onto the Base Bracket.



TV installation dimensions table

SU-WL400



Unit: mm

Model Name KDL-	Display dimensions		Screen centre dimension	Length for mounting	
	a	b	c	d	e
SU-WL400					
55W954A	1,250	729	38	334	112
55W904A	1,241	723	146	516	107
46W954A	1,058	620	17	334	112
46W904A	1,049	616	200	516	107

Figures in the table may differ slightly depending on the installation.
When your TV is installed on the wall, the upper side of the TV slightly leans forward.

WARNING

The wall that the TV will be installed should be capable of supporting a weight of at least four times that of the TV. See page 25-26 (Specifications) for its weight.



Refer to the instructions supplied with the Wall-Mount Bracket for your model to install the TV on the wall.

Safety Information

WARNING

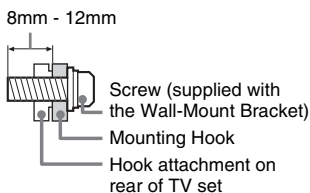
Batteries must not be exposed to excessive heat such as sunshine, fire or the like.

Installation/Set-up

Install and use the TV set in accordance with the instructions below in order to avoid any risk of fire, electrical shock or damage and/or injuries.

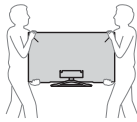
Installation

- The TV set should be installed near an easily accessible AC power outlet (mains socket).
- Place the TV set on a stable, level surface to avoid it from falling down and cause personal injury or damage to the TV.
- Only qualified service personnel should carry out wall installations.
- For safety reasons, it is strongly recommended that you use Sony accessories, including:
 - Wall-Mount Bracket: SU-WL400
- Be sure to use the screws supplied with the Wall-Mount Bracket when attaching the mounting hooks to the TV set. The supplied screws are designed as indicated by illustration when measured from the attaching surface of the mounting hook. The diameter and length of the screws differ depending on the Wall-Mount Bracket model. Use of screws other than those supplied may result in internal damage to the TV set or cause it to fall, etc.



Transporting

- Before transporting the TV set, disconnect all cables.
- Two or three people are needed to transport a large TV set.
- When transporting the TV set by hand, hold it as shown below. Do not put stress on the LCD panel and the frame around the screen.

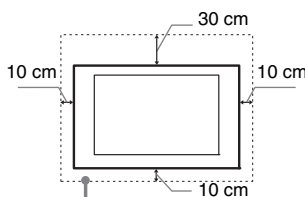


- When transporting the TV set, do not subject it to jolts or excessive vibration.
- When transporting the TV set for repairs or when moving, pack it using the original carton and packing material.

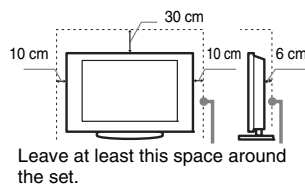
Ventilation

- Never cover the ventilation holes or insert anything in the cabinet.
- Leave space around the TV set as shown below.
- It is strongly recommended that you use a Sony wall-mount bracket in order to provide adequate air-circulation.

Installed on the wall

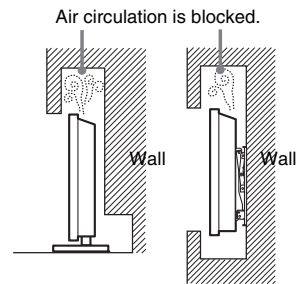


Installed with stand



- To ensure proper ventilation and prevent the collection of dirt or dust:
 - Do not lay the TV set flat, install upside down, backwards, or sideways.
 - Do not place the TV set on a shelf, rug, bed or in a closet.
 - Do not cover the TV set with a cloth, such as curtains, or items such as newspapers, etc.

- Do not install the TV set as shown below.



AC power cord (mains lead)

Handle the AC power cord (mains lead) and outlet (mains socket) as follows in order to avoid any risk of fire, electrical shock or damage and/or injuries:

- Use only Sony supplied AC power cords (mains lead), not those of other brands.
- Insert the plug fully into the AC power outlet (mains socket).
- Operate the TV set on a 110–240 V AC supply only.
- When wiring cables, be sure to unplug the AC power cord (mains lead) for your safety and take care not to catch your feet on the cables.
- Disconnect the AC power cord (mains lead) from the AC power outlet (mains socket) before working on or moving the TV set.
- Keep the AC power cord (mains lead) away from heat sources.
- Unplug the AC power plug and clean it regularly. If the plug is covered with dust and it picks up moisture, its insulation may deteriorate, which could result in a fire.

Notes

- Do not use the supplied AC power cord (mains lead) on any other equipment.
- Do not pinch, bend, or twist the AC power cord (mains lead) excessively. The core conductors may be exposed or broken.
- Do not modify the AC power cord (mains lead).
- Do not put anything heavy on the AC power cord (mains lead).
- Do not pull on the AC power cord (mains lead) itself when disconnecting the AC power cord (mains lead).
- Do not connect too many appliances to the same AC power outlet (mains socket).
- Do not use a poor fitting AC power outlet (mains socket).

Prohibited Usage

Do not install/use the TV set in locations, environments or situations such as those listed below, or the TV set may malfunction and cause a fire, electrical shock, damage and/or injuries.

Location:

- Outdoors (in direct sunlight), at the seashore, on a ship or other vessel, inside a vehicle, in medical institutions, unstable locations, near water, rain, moisture or smoke.
- If the TV is placed in the changing room of a public bath or hot spring, the TV may be damaged by airborne sulfur, etc.



- For best picture quality, do not expose the screen to direct illumination or sunlight.
- Avoid moving the TV from a cold area to a warm area. Sudden room temperature changes may cause moisture condensation. This may cause the TV to show poor picture and/or poor colour. Should this occur, allow moisture to evaporate completely before powering the TV on.
- Never spray water or detergent directly on the TV set. It may drip to the bottom of the screen or exterior parts and enter the TV set, and may cause damage to the TV set.



Environment:

- Places that are hot, humid, or excessively dusty; where insects may enter; where it might be exposed to mechanical vibration, near flammable objects (candles, etc). The TV set shall not be exposed to dripping or splashing and no objects filled with liquids, such as vases, shall be placed on the TV.
- Do not place the TV in a humid or dusty space, or in a room with oily smoke or steam (near cooking tables or humidifiers). Fire, electric shock, or warping may result.

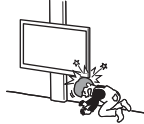


- Do not install the TV in places subject to extreme temperature, such as in direct sunlight, near a radiator or a heating vent. The TV may overheat in such conditions which can cause deformation of the enclosure and/or TV malfunction.



Situation:

- Do not use when your hands are wet, with the cabinet removed, or with attachments not recommended by the manufacturer. Disconnect the TV set from AC power outlet (mains socket) and antenna during lightning storms.
- Do not install the TV so that it sticks out into an open space. Injury or damage from a person or object bumping into the TV may result.



Broken pieces:

- Do not throw anything at the TV set. The screen glass may break by the impact and cause serious injury.
- If the surface of the TV set cracks, do not touch it until you have unplugged the AC power cord (mains lead). Otherwise electric shock may result.

When not in use

- If you will not be using the TV set for several days, the TV set should be disconnected from the AC power (mains) for environmental and safety reasons.
- As the TV set is not disconnected from the AC power (mains) when the TV set is just turned off, pull the plug from the AC power outlet (mains socket) to disconnect the TV set completely.
- However, some TV sets may have features that require the TV set to be left in standby to work correctly.

For children

- Do not allow children to climb on the TV set.
- Keep small accessories out of the reach of children, so that they are not mistakenly swallowed.

If the following problems occur...

Turn off the TV set and unplug the AC power cord (mains lead) immediately if any of the following problems occur.

Ask your dealer or Sony service centre to have it checked by qualified service personnel.

When:

- AC power cord (mains lead) is damaged.
- Poor fitting of AC power outlet (mains socket).
- TV set is damaged by being dropped, hit or having something thrown at it.
- Any liquid or solid object falls through openings in the cabinet.

About LCD Monitor Temperature

When the LCD Monitor is used for an extended period, the panel surrounds become warm.

You may feel hot when touching there by the hand.

Precautions

Viewing the TV

- Some people may experience discomfort (such as eye strain, fatigue, or nausea) while watching 3D video images or playing stereoscopic 3D games. Sony recommends that all viewers take regular breaks while watching 3D video images or playing stereoscopic 3D games. The length and frequency of necessary breaks will vary from person to person. You must decide what works best. If you experience any discomfort, you should stop watching the 3D video images or playing stereoscopic 3D games until the discomfort ends; consult a doctor if you believe necessary. You should also review (i) the instruction manual of any other device or media used with this television and (ii) our website (<http://www.sony-asia.com/support>) for the latest information. The vision of young children (especially those under six years old) is still under development. Consult your doctor (such as a pediatrician or eye doctor) before allowing young children to watch 3D video images or play stereoscopic 3D games. Adults should supervise young children to ensure they follow the recommendations listed above.
- Do not use, store, or leave the 3D Glasses or battery near a fire, or in places with a high temperature, e.g., in direct sunlight, or in sun-heated cars.
- When using the simulated 3D function, please note that the displayed image is modified from the original due to the conversion done by this television.
- View the TV in moderate light, as viewing the TV in poor light or during long period of time, strains your eyes.
- When using headphones, adjust the volume so as to avoid excessive levels, as hearing damage may result.

LCD Screen

- Although the LCD screen is made with high-precision technology and 99.99% or more of the pixels are effective, black dots may appear or bright points of light (red, blue, or green) may appear constantly on the LCD screen. This is a structural property of the LCD screen and is not a malfunction.
- Do not push or scratch the front filter, or place objects on top of this TV set. The image may be uneven or the LCD screen may be damaged.

- If this TV set is used in a cold place, a smear may occur in the picture or the picture may become dark. This does not indicate a failure. These phenomena disappear as the temperature rises.
- Ghosting may occur when still pictures are displayed continuously. It may disappear after a few moments.
- The screen and cabinet get warm when this TV set is in use. This is not a malfunction.
- The LCD screen contains a small amount of liquid crystal. Follow your local ordinances and regulations for disposal.
- Do not subject the LCD screen to any strong impact or shock. The screen glass may crack or shatter and cause injury.



Handling and cleaning the screen surface/cabinet of the TV set

Be sure to unplug the AC power cord (mains lead) connected to the TV set from AC power outlet (mains socket) before cleaning.

To avoid material degradation or screen coating degradation, observe the following precautions.

- To remove dust from the screen surface/cabinet, wipe gently with a soft cloth. If dust is persistent, wipe with a soft cloth slightly moistened with a diluted mild detergent solution.
- Never spray water or detergent directly on the TV set. It may drip to the bottom of the screen or exterior parts and enter the TV set, and may cause damage to the TV set.



- Never use any type of abrasive pad, alkaline/acid cleaner, scouring powder, or volatile solvent, such as alcohol, benzene, thinner or insecticide. Using such materials or maintaining prolonged contact with rubber or vinyl materials may result in damage to the screen surface and cabinet material.
- Periodic vacuuming of the ventilation openings is recommended to ensure to proper ventilation.
- When adjusting the angle of the TV set, move it slowly so as to prevent the TV set from moving or slipping off from its table stand.

Optional Equipment

Keep optional components or any equipment emitting electromagnetic radiation away from the TV set. Otherwise picture distortion and/or noisy sound may occur.

Wireless Function of the unit

- Do not operate this unit near medical equipment (pacemaker, etc.), as malfunction of the medical equipment may result.
- Although this unit transmits/receives scrambled signals, be careful of unauthorised interception. We cannot be responsible for any trouble as a result.

(Caution about handling the remote control)

Notes

- Observe the correct polarity when inserting batteries.
- Do not use different types of batteries together or mix old and new batteries.
- Dispose of batteries in an environmentally friendly way. Certain regions may regulate the disposal of batteries. Please consult your local authority.
- Handle the remote control with care. Do not drop or step on it, or spill liquid of any kind onto it.
- Do not place the remote control in a location near a heat source, a place subject to direct sunlight, or a damp room.

บทนำ

ขอขอบคุณที่ท่านเลือกใช้ผลิตภัณฑ์ของ Sony ก่อนใช้งานทีวี
กรุณาอ่านคู่มือนี้โดยละเอียด และเก็บรักษาคู่มือนี้ไว้อ้างอิงในอนาคต

✍

- คู่มือการติดตั้งอุปกรณ์ยึดติดผนังไม่ได้จัดพิมพ์อยู่ในรูปเอกสารเพิ่มเติม
สามารถดูวิธีการติดตั้งอุปกรณ์ดังกล่าวได้ในคู่มือโทรทัศน์เล่มนี้
- ภาพประกอบต่างๆ ที่ปรากฏในคู่มือเล่มนี้อาจแตกต่างออกไป
ทั้งนี้ขึ้นอยู่กับรุ่นทีวีของท่าน
- ภาพประกอบของรีโมทที่ใช้ในคู่มือฉบับนี้คือรุ่น RM-GD026
หากไม่ได้รับรุ่นไว้เป็นอย่างอื่น
- ก่อนใช้งานทีวี กรุณาอ่าน หน้า 30 (ข้อมูลความปลอดภัย)
และเก็บรักษาคู่มือนี้ไว้อ้างอิงในอนาคต

ข้อมูลเกี่ยวกับเครื่องหมายการค้า

คำว่า HDMI และ HDMI High-Definition Multimedia Interface
และเครื่องหมายโลโก้ HDMI เป็นเครื่องหมายการค้าหรือเครื่องหมายการค้า
จดทะเบียนของ HDMI Licensing LLC ในประเทศสหรัฐอเมริกาและประเทศอื่นๆ

DLNA®, เครื่องหมายโลโก้ DLNA และ DLNA CERTIFIED®

เป็นเครื่องหมายการค้า, เครื่องหมายการบริการ หรือเครื่องหมายรับรองของ
Digital Living Network Alliance

ผลิตภัณฑ์ใบอนุญาตจาก Dolby Laboratories

“BRAVIA” และ BRAVIA เป็นเครื่องหมายการค้าของ Sony Corporation

TrackID เป็นเครื่องหมายการค้าหรือเครื่องหมายการค้าจดทะเบียนของ Sony
Mobile Communications AB

Gracenote® เป็นผู้เสนอเทคโนโลยีการจดจำเพลง (Music recognition technology)
และข้อมูลที่เกี่ยวข้อง Gracenote

เป็นมาตรฐานอุตสาหกรรมในเทคโนโลยีการจดจำเพลง และ
การจัดส่งเนื้อหาที่เกี่ยวข้อง สำหรับข้อมูลเพิ่มเติมกรุณาเยี่ยมชม
www.gracenote.com

CD และข้อมูลที่เกี่ยวข้องเพลงจาก Gracenote, Inc. ลิขสิทธิ์ © 2000- ปัจจุบัน
Gracenote. Gracenote Software ลิขสิทธิ์ © 2000- ปัจจุบัน Gracenote
สิทธิบัตรแบบใดแบบหนึ่งหรือ มากกว่าหนึ่งสิทธิบัตรที่ Gracenote
เป็นเจ้าของจะนำมาใช้กับผลิตภัณฑ์และบริการนี้ ดูรายการคร่าว ๆ
ของสิทธิบัตรที่มีกรบ่งกับใช้สิทธิได้จากเว็บไซต์ Gracenote

Gracenote, MusicID, VideoID, Video Explore, โลโก้ Gracenote และ logotype
และโลโก้ “Powered by Gracenote” เป็นเครื่องหมายการค้าจดทะเบียน
หรือเครื่องหมายการค้าของ Gracenote ในอเมริกาและ/หรือในประเทศอื่นๆ

Opera® Devices SDK from Opera Software ASA. Copyright 1995-2013 Opera
Software ASA. All rights reserved.

Wi-Fi, Wi-Fi Direct และ Miracast

เป็นเครื่องหมายหรือเครื่องหมายจดทะเบียนของ Wi-Fi Alliance

สัญลักษณ์ “Blu-ray Disc”, “Blu-ray” และ “Blu-ray Disc”

เป็นเครื่องหมายการค้าของ Blu-ray Disc Association

“Sony Entertainment Network logo” และ “Sony Entertainment Network”

เป็นเครื่องหมายการค้าของ Sony Corporation.

MHL, Mobile High-Definition Link และสัญลักษณ์ MHL

เป็นเครื่องหมายการค้าหรือเครื่องหมายการค้าจดทะเบียนของ MHL, LLC

ผลิตภัณฑ์ใบอนุญาตจาก DTS Licensing Limited

สำหรับลิขสิทธิ์ของอเมริกาและทั่วโลก และข้อมูลเครื่องหมายการค้าได้ที่
www.dts.com/patents/legacy.aspx.

(c) DTS Licensing Limited และ DTS, Inc. 2012.

สัญลักษณ์และเครื่องหมายคำว่า Bluetooth® เป็นของบริษัท Bluetooth SIG, Inc.

Sony Corporation นำสัญลักษณ์ดังกล่าวมาใช้ภายใต้ใบอนุญาต
เครื่องหมายการค้าและชื่อทางการค้าอื่นเป็นของเจ้าของดังกล่าว

Color IQ และสัญลักษณ์ Color IQ เป็นเครื่องหมายการค้าของ QD Vision, Inc

HDMITM
HIGH-DEFINITION MULTIMEDIA INTERFACE

 **dlna**[®]
CERTIFIED

 **gracenote.**

 **OPERA**TM
software

 **MHL**TM
Mobile High-Definition Link

 **dts**[®]
2.0 Channel

 **Bluetooth**[®]

COLOR
IQTM

รุ่น KDL-55/46W954A เท่านั้น:

N Mark เป็นเครื่องหมายการค้า หรือเครื่องหมายการค้าของ NFC Forum, รวมถึงในอเมริกาและประเทศอื่นๆ



หมายเหตุสำหรับลูกค้าในประเทศไทย

อุปกรณ์สื่อสาร โทรคมนาคมนี้เป็นไปตามข้อกำหนดทางเทคนิคของ กสทช

ตำแหน่งของป้ายแสดงรายละเอียด

ป้ายแสดงหมายเลขรุ่นและอัตราจ่ายไฟ

(ตามที่กฎข้อบังคับด้านความปลอดภัยกำหนด) และวันที่ผลิต
อยู่ในตำแหน่งด้านหลังของเครื่อง

สำหรับรุ่นทีวี W954A ต้องเปิดฝาครอบด้านหลังออกก่อน

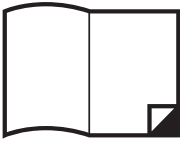
TH

เกี่ยวกับคู่มือเล่มนี้ (คู่มือการใช้งาน)

คู่มือเล่มนี้อธิบายวิธีการตั้งค่าทีวีของท่าน สำหรับข้อมูลเพิ่มเติมเกี่ยวกับวิธีการใช้ทีวี BRAVIA ดูรายละเอียดที่ “คู่มืออิเล็กทรอนิกส์”

คู่มือการใช้งาน

อธิบายการตั้งค่าทีวีของท่าน เช่น การเชื่อมต่อ การตั้งค่าเริ่มต้น และการใช้งานเบื้องต้น

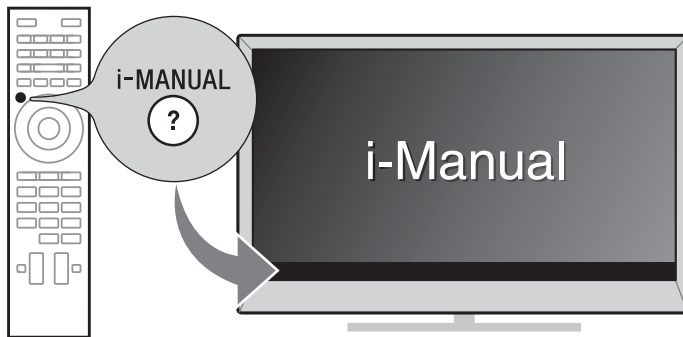


สำหรับข้อมูลเพิ่มเติม i-MANUAL กดปุ่ม



คู่มืออิเล็กทรอนิกส์ (i-Manual)

อธิบายวิธีการใช้งานคุณสมบัติทั้งหมด ดูวิธีการใช้งาน i-Manual ที่หน้า 21



รูปภาพและภาพประกอบในคู่มืออาจแตกต่างจากภาพจริงบนจอภาพ

สารบัญ

การเริ่มต้นใช้งาน

การตรวจสอบอุปกรณ์เสริม.....	6
การใส่แบตเตอรี่ลงในรีโมท	6
1: การคิดเป็นร่องแบบตั้งโต๊ะ.....	7
2: การปรับมุมมองของเครื่องทีวี	8
3: การเชื่อมต่อ	8
4: การป้องกันไม่ให้เครื่องทีวีพลิกคว่ำ	12
5: การมัดสาย	13
6: การเชื่อมต่อทีวีเข้ากับอินเทอร์เน็ต	14
7: การทำการตั้งค่าเริ่มต้น	15

TH

การใช้งานทีวี BRAVIA ของท่าน

การรับชมทีวี ▶.....	16
การเลือกฟังก์ชันและการตั้งค่าต่าง ๆ (โฮมเมนู).....	18
การรับชมวิดีโอจากอินเทอร์เน็ต.....	20

การค้นหาคำแนะนำ

การค้นหาคำแนะนำในคู่มืออิเล็กทรอนิกส์ (i-Manual) ▶.....	21
--	----

ข้อมูลเพิ่มเติม

การแก้ไขปัญหา.....	23
ข้อมูลจำเพาะ	24
การติดตั้งอุปกรณ์เสริม (อุปกรณ์ยึดติดผนัง)	26
ข้อมูลความปลอดภัย.....	30
ข้อควรระวัง.....	31

การตรวจสอบอุปกรณ์เสริม

รีโมท (1)

รีโมทคอนโทรลฟังก์ชันแต่ละครั้งเดียว (1)

(รุ่น KDL-55/46W954A เท่านั้น)

แบตเตอรี่ขนาด AAA (แบบ R03) (2)

(ชกเว้น KDL-55/46W954A เท่านั้น)

แบตเตอรี่ขนาด AAA (แบบ R03/LR03) (4)

(รุ่น KDL-55/46W954A เท่านั้น)

แป้นรองแบบตั้งโต๊ะ (1)*

ฝาครอบด้านหลัง

(รุ่น KDL-55/46W954A เท่านั้น)

สกรูยึดสำหรับแป้นรองแบบตั้งโต๊ะ

(M5 x 16) (4)

สกรูประกอบสำหรับแป้นรองแบบตั้งโต๊ะ

(M5 x 16) (3)

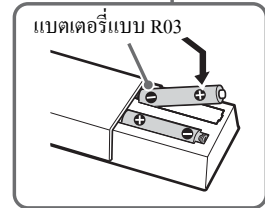
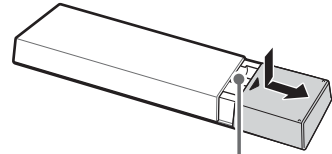
แว่นตาสามมิติแบบแอคทีฟ (รวมแบตเตอรี่แล้ว) (4)

(รุ่น KDL-55/46W954A, KDL-55/46W904A เท่านั้น)

คู่มือการใช้งาน (คู่มือฉบับนี้) และเอกสารอื่น ๆ

* คู่มือประกอบเป็นรองทีวีแบบตั้งโต๊ะจากแผ่นพับของแป้นรองทีวีแบบตั้งโต๊ะที่ให้มาด้วย

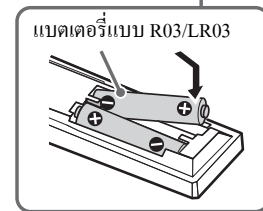
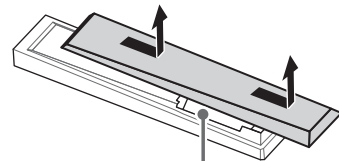
การใส่แบตเตอรี่ลงในรีโมท



1 ลอกแผ่นกันรอยออก

2 กดแล้วเลื่อนฝาครอบให้เปิดออกมา

รุ่น KDL-55/46W954A เท่านั้น



1 ลอกแผ่นกันรอยออก

2 กดแล้วเลื่อนฝาครอบให้เปิดออกมา



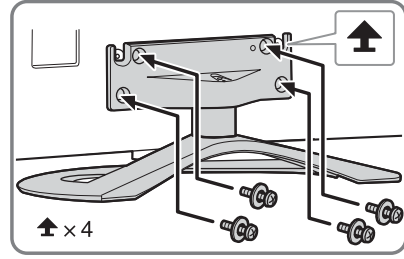
- สามารถใช้งานรีโมทแบบสัมผัสครั้งเดียวได้ก็ต่อเมื่อลงทะเบียนกับทีวีแล้วเท่านั้น สำหรับข้อมูลเพิ่มเติมเกี่ยวกับการลงทะเบียน ให้กด **i-MANUAL**, แล้วจึงเลือก “สารบัญ” → “การปรับแต่งต่างๆ” → “การตั้งค่าทั่วไป” → “การตั้งค่านีโมทคอนโทรลฟังก์ชันแต่ละครั้งเดียว”

1: การติดตั้งโครงแบบตั้งโต๊ะ

ยกเว้น KDL-55/46W954A

ดูการประกอบที่ถูกต้องจากแผ่นพับของเป็นรองทีวีแบบตั้งโต๊ะที่นำมาด้วย

1 วางทีวีลงบนเป็นรองแบบตั้งโต๊ะ

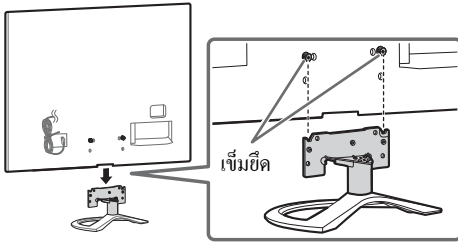


KDL-55/46W954A



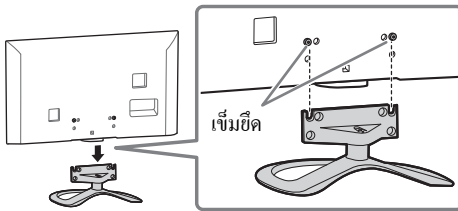
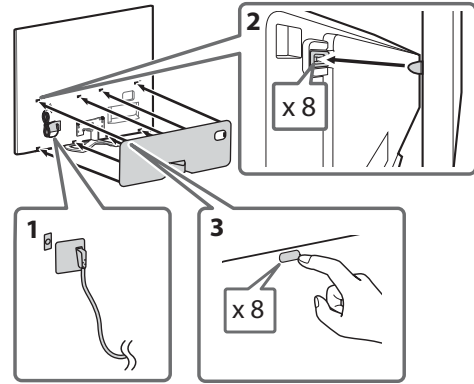
- หากใช้ไขควงไฟฟ้า ให้ตั้งแรงบิดไว้ที่ประมาณ 1.5 N·m {15 kgfcm}

TH



3 ติดฝาครอบด้านหลัง (รุ่น KDL-55/46W954A เท่านั้น)

ยกเว้น KDL-55/46W954A



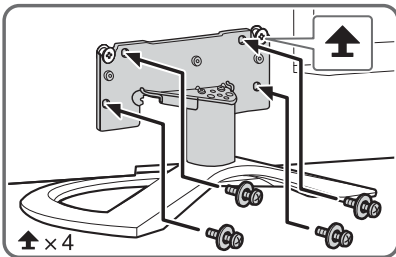
- ระวังเมื่อดึงสายไฟ AC ออกเพื่อไม่ให้ฝาครอบด้านหลังหลุดออกมา

2 ยึดทีวีเข้ากับเป็นรองแบบตั้งโต๊ะโดยใช้สกรูที่นำมาตำแหน่งที่เครื่องหมายลูกศร แสดงตำแหน่งของช่องสกรูที่ใช้ยึดเป็นรองแบบตั้งโต๊ะ

การถอดเป็นรองแบบตั้งโต๊ะออกจากทีวี

KDL-55/46W954A

เมื่อต้องการถอดเป็นรองแบบตั้งโต๊ะออกจากทีวี ให้ถอดสกรู ↑ ที่ยึดไว้ในขั้นตอนที่ 2 ออก



- อย่าถอดเป็นรองแบบตั้งโต๊ะออกด้วยเหตุผลอื่นใดนอกเหนือจากเพื่อทำการติดตั้งอุปกรณ์เสริมเข้ากับทีวี
- เมื่อถอดเป็นรองแบบตั้งโต๊ะออกจากเครื่องทีวี ให้วางหน้าจอคว่ำหน้าลงบนพื้นที่ทำงานที่แข็งแรงมั่นคงและมีขนาดใหญ่กว่าเครื่องทีวี
- เพื่อป้องกันไม่ให้หน้าจอ LCD เสียหาย ให้แน่ใจว่าได้วางผ้าเนื้อนุ่มบนพื้นแล้ว

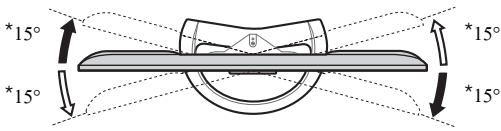
2: การปรับมุมมองของ ทีวี

ทีวีเครื่องนี้สามารถปรับได้ภายในขอบเขตมุมตามที่แสดงตัวอย่างไว้

■ การปรับมุม (หมุน)



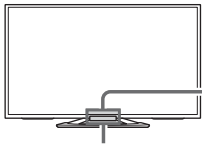
- เมื่อปรับมุมมอง ให้ใช้มือข้างหนึ่งจับขาค้างไว้ เพื่อหลีกเลี่ยงไม่ให้ขาตั้งเลื่อนไกลหรือทีวีล้มคว่ำลง



* มุมมองที่เป็นค่าประมาณ



- ต้องให้แน่ใจว่า ไม่มีวัตถุใด ๆ อยู่ด้านหน้าทีวี



เครื่องส่งสัญญาณภาพแบบสามมิติ
(รุ่น KDL-55/46W954A เท่านั้น)

ตัวรับสัญญาณอินฟราเรด

3: การเชื่อมต่อ



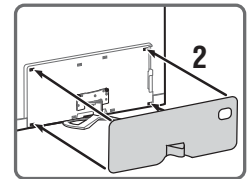
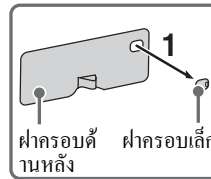
- ใช้ขั้วต่อสายอากาศที่มีความหนาไม่เกิน 14 มม.
- ใช้ขั้วต่อสาย HDMI ที่มีขนาดไม่เกิน 12 มม. (ความหนา) x 21 มม. (ความกว้าง)
- สำหรับข้อมูลเพิ่มเติมของการเชื่อมต่อดูได้จาก i-Manual

รุ่น KDL-55/46W954A เท่านั้น

ก่อนเชื่อมต่อ → VIDEO IN 1, → VIDEO IN 2 และ/หรือ

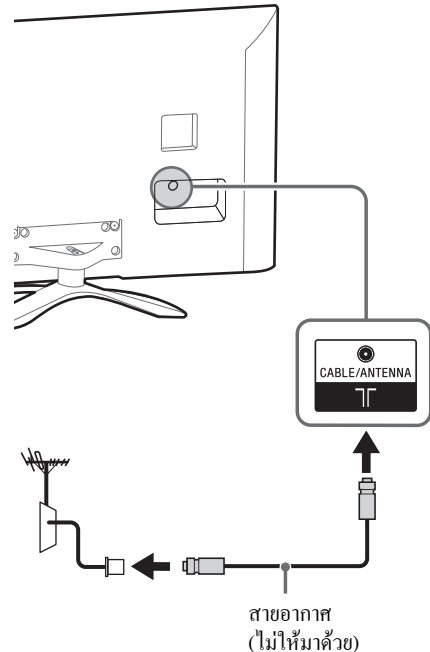
→ COMPONENT IN ตรวจสอบให้แน่ใจว่าได้ตัดฝาครอบ

ด้านหลังแล้ว ตรวจสอบให้แน่ใจว่าได้ถอดฝาครอบเล็กออกก่อน
ตัดฝาครอบด้านหลัง



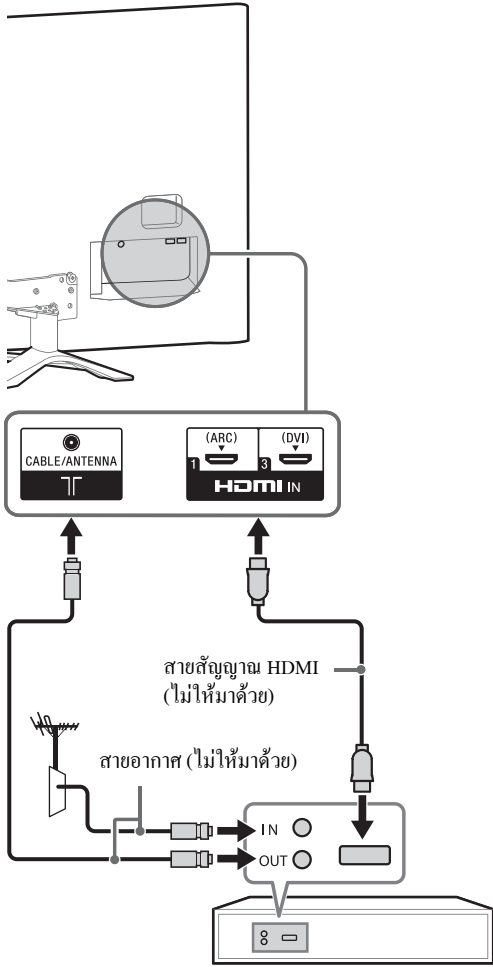
การเชื่อมต่อสายอากาศ/ สายสัญญาณ/เครื่องเล่นวิดีโอ

■ การเชื่อมต่อสายอากาศ/สายสัญญาณ



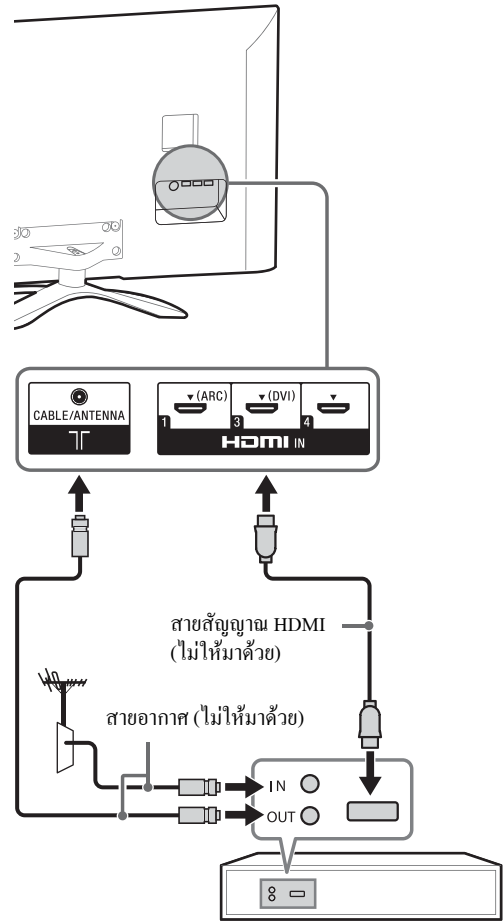
■ การเชื่อมต่อกล่องรับสัญญาณ/เครื่องบันทึก (เช่น เครื่องบันทึก DVD) โดยใช้ HDMI

KDL-55/46W954A



กล่องรับสัญญาณ/เครื่องบันทึก (เช่น เครื่องบันทึก DVD)

ยกเว้น KDL-55/46W954A



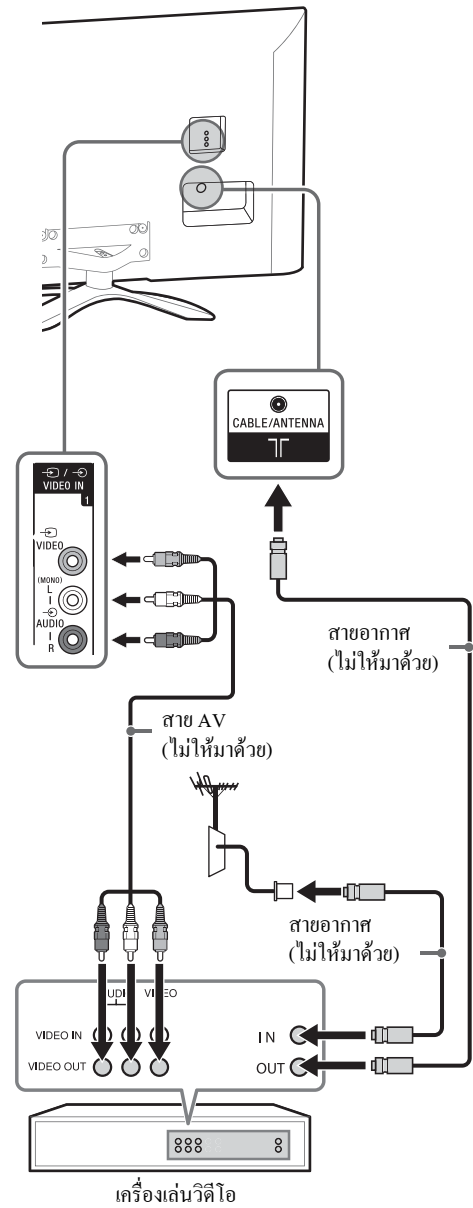
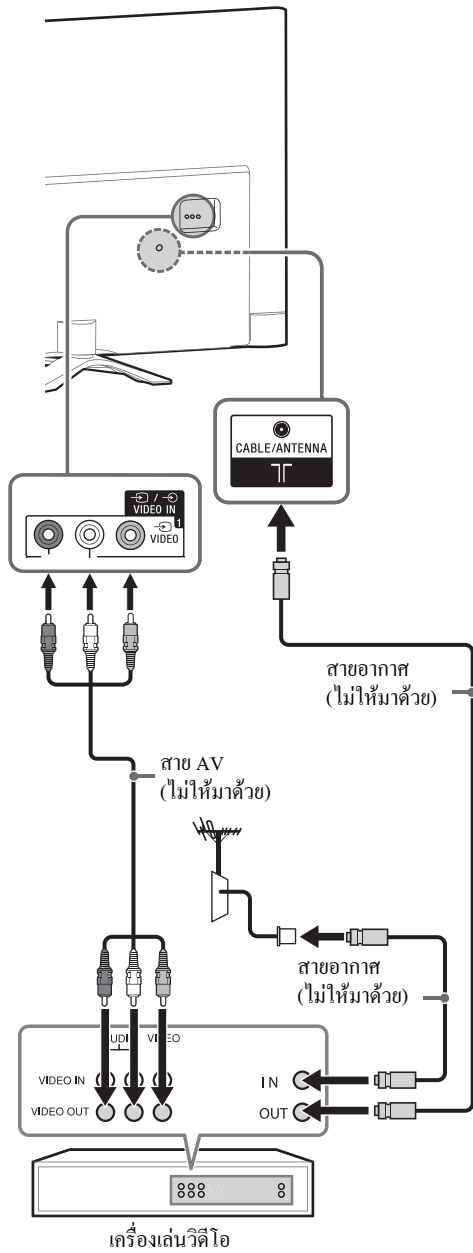
กล่องรับสัญญาณ/เครื่องบันทึก (เช่น เครื่องบันทึก DVD)

TH

■ การเชื่อมต่อสายอากาศ/
สายสัญญาณและเครื่องเล่นวิดีโอ

ยกเว้น KDL-55/46W954A

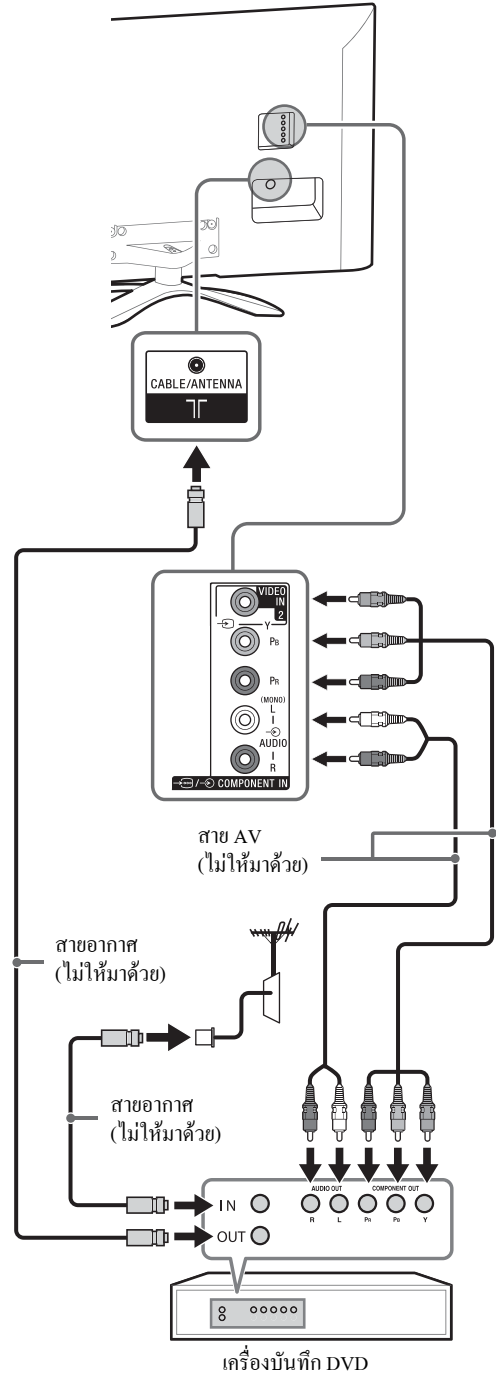
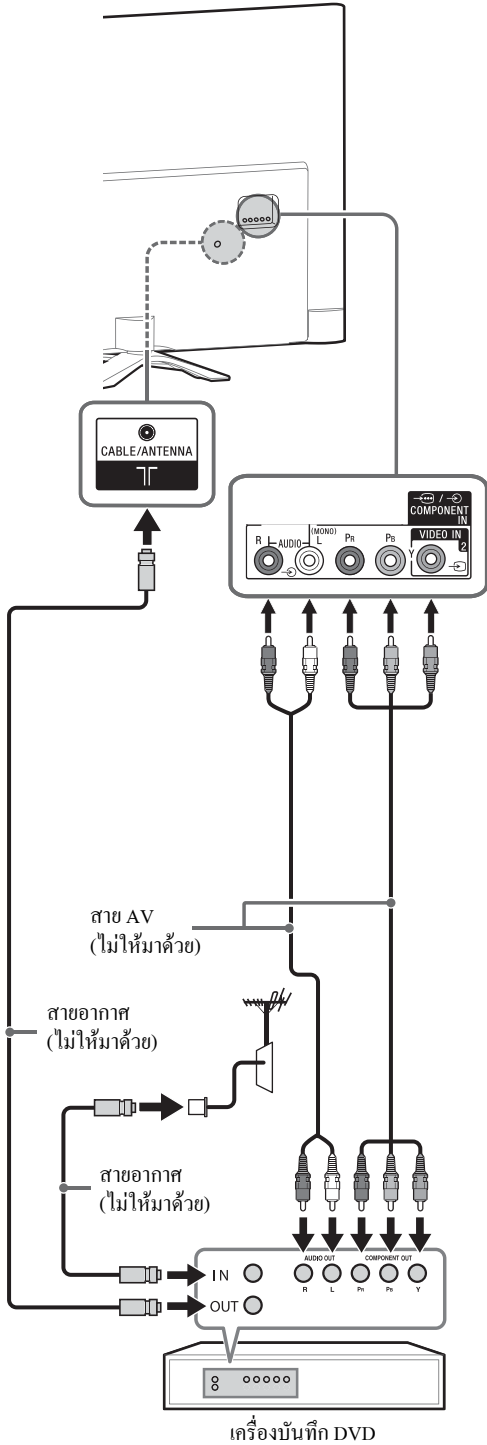
KDL-55/46W954A



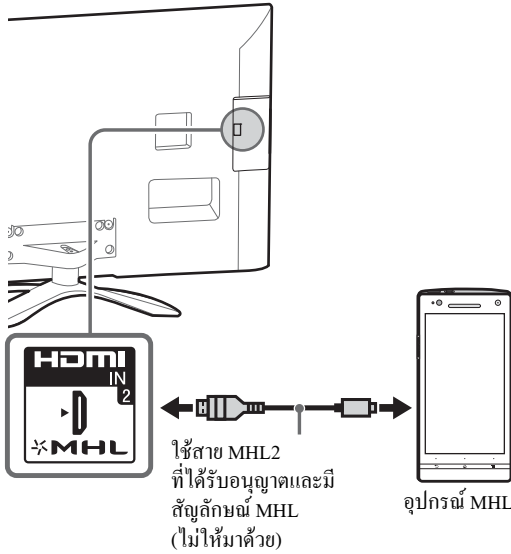
การเชื่อมต่ออุปกรณ์เสียง/วิดีโอ

ยกเว้น KDL-55/46W954A

KDL-55/46W954A



TH



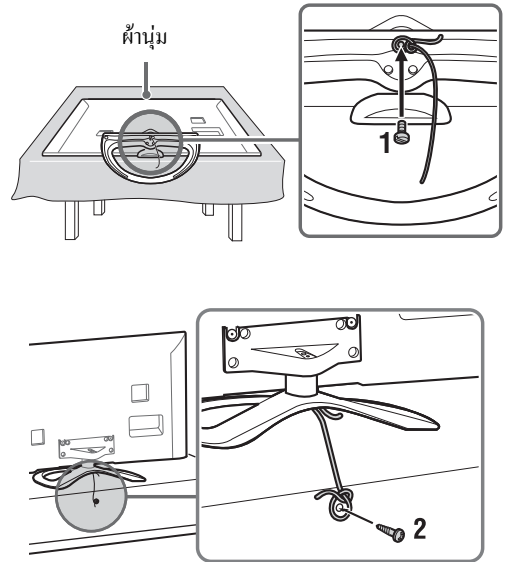
MHL (Mobile High-Definition Link)

ทำให้ทีวีสามารถติดต่อสื่อสารกับอุปกรณ์ MHL ที่เชื่อมต่อที่เข้ากันได้ ทีวีสามารถชาร์จ MHL ที่ติดอยู่เป็นเครื่องมือที่เข้ากันได้ ในขณะที่กำลังเล่นภาพ/ดนตรี/วิดีโอไปพร้อมกัน ท่านสามารถรีโมทคอนโทรลควบคุมอุปกรณ์ MHL ที่เชื่อมต่อที่เข้ากันได้



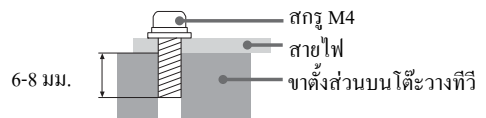
- ถ้า “เปลี่ยนแปลงอินพุตอัตโนมัติ (MHL)” ถูกตั้งเป็น “เปิด” ทีวีจะปรับเป็น HDMI IN 2/MHL อัตโนมัติจากทางเข้าอื่นเมื่อ MHL เครื่องมือที่เหมาะสมถูกต้องอยู่กับ HDMI IN 2/MHL jack ความพร้อมของ “เปลี่ยนแปลงอินพุตอัตโนมัติ (MHL)” ขึ้นอยู่กับการรองรับคุณสมบัตินี้ของอุปกรณ์ MHL ที่เข้ากันได้
- สามารถใช้งานอุปกรณ์ MHL ที่เข้ากันได้ซึ่งเชื่อมต่ออยู่ตามปกติต่อไปได้ (เช่น การรับโทรศัพท์) โดยขึ้นอยู่กับความสามารถของอุปกรณ์นั้นๆ
- ฟังก์ชันรีโมทบางฟังก์ชันอาจไม่สามารถใช้งานได้โดยขึ้นอยู่กับคุณสมบัติของอุปกรณ์ MHL ที่เชื่อมต่ออยู่ สำหรับรายละเอียดต่างๆ โปรดดูจากคู่มือของอุปกรณ์นั้นๆ
- หาก “การชาร์จ MHL ในระหว่างสแตนด์บาย” ตั้งไปที่ “เปิด” สามารถชาร์จอุปกรณ์ที่เข้ากันได้กับ MHL ต่อไปได้เมื่อทีวีอยู่ในโหมดพร้อมทำงาน
- ผลิตภัณฑ์นี้ได้รับการรับรอง MHL อย่างเป็นทางการสำหรับใช้งานร่วมกับอุปกรณ์ MHL อื่นๆ ที่ได้รับการรับรอง หากมีปัญหาเมื่อใช้งานฟังก์ชัน MHL โปรดปรึกษาผู้ผลิตอุปกรณ์นั้นๆ

4: การป้องกันไม่ให้เครื่องทีวีพลิกคว่ำ



- ก่อนติดตั้งสกรู ให้วางหน้าจอของบนพื้นที่ยื่นคองและกว้างกว่าหน้าจอ
 - เพื่อป้องกันไม่ให้หน้าจอ LCD เสียหาย ให้แน่ใจว่าได้วางค้ำเนื้อนุ่มบนพื้นแล้ว
1. ขันสกรู (M4 ไม่ได้ให้มาด้วย) เข้ากับรูสกรูของเครื่องทีวีแล้วรัดให้แน่นด้วยสายรัดที่แข็งแรง (ไม่ได้ให้มาด้วย)
 2. ขันตะปูควาง (ไม่ได้ให้มาด้วย) เข้ากับแท่นวางทีวี จากนั้นยึดตะปูควางด้วยสายรัดที่แข็งแรง

ความยาวของสกรู M4 จะแตกต่างกันไป ขึ้นอยู่กับเส้นผ่านศูนย์กลางของสายโปรตุเกลาประกอบข้างล่าง



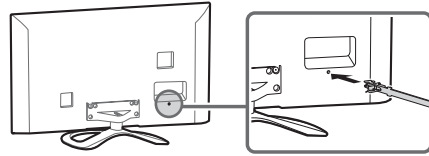
5: การมัดสาย

* เมื่อติดตั้งเข้ากับผนัง ให้หัดดัด้วยึดสายไว้ได้ชั่วคราว

ก่อนมัดสายสัญญาณ ให้ถอดแฉลมพรีดสายออกจากฝาครอบ AC ใช้ตัวยึดสายไฟอันเดิมมัดสายสัญญาณอื่นๆ รวมกัน

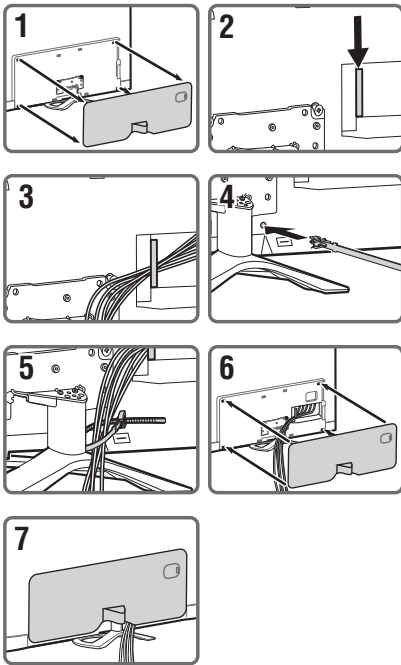


- ออามัดสายไฟ AC เข้ากับสายอื่นๆ
- ออามัดสายสัญญาณ AV รวมกับสายสัญญาณอื่น (รุ่น KDL-55/46W954A เท่านั้น)

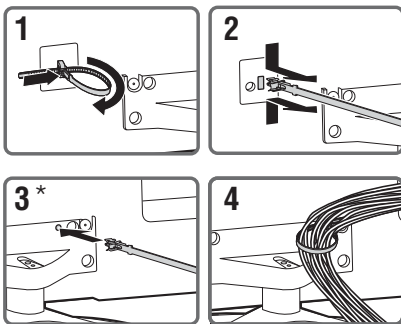


KDL-55/46W954A

TH



ยกเว้น KDL-55/46W954A



6: การเชื่อมต่อทีวีเข้ากับ อินเทอร์เน็ต

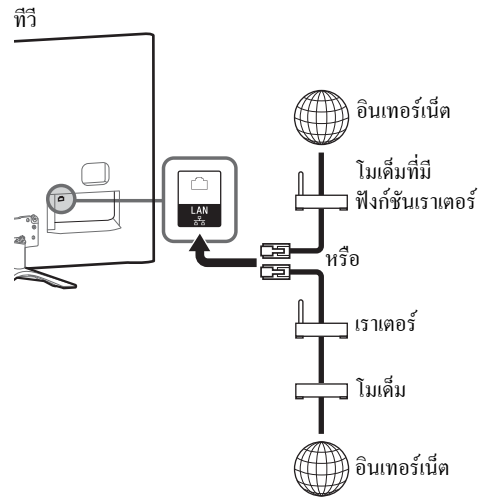
เมื่อเชื่อมต่อทีวีเครื่องนี้เข้ากับอินเทอร์เน็ต ท่านจะสามารถเพลิดเพลินกับฟังก์ชันต่างๆ หลากหลาย ได้แก่ ดูรายละเอียดของฟังก์ชันต่างๆ ได้จาก i-Manual



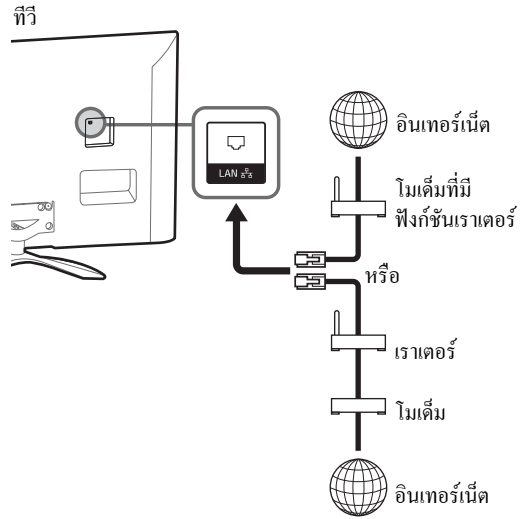
- เพื่อที่จะเชื่อมต่ออินเทอร์เน็ต ท่านต้องสมัครใช้บริการกับผู้ให้บริการอินเทอร์เน็ต

การเตรียมระบบเครือข่ายแบบมีสาย

KDL-55/46W954A



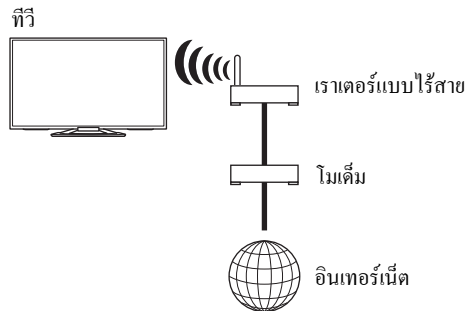
ยกเว้น KDL-55/46W954A



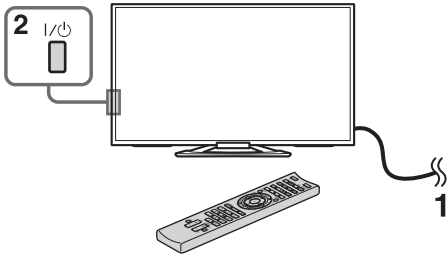
- สำหรับการเชื่อมต่อแบบ LAN ให้ใช้สาย ประเภทที่ 7 (ไม่ได้ให้มาด้วย)
- ตรวจสอบให้แน่ใจว่าได้ถอดฝาครอบด้านหลังออกก่อนเชื่อมต่อขั้วต่อแลน (รุ่น KDL-55/46W954A เท่านั้น)

การเตรียมระบบ LAN แบบไร้สาย

อุปกรณ์ระบบ LAN แบบไร้สายที่มีอยู่แล้วภายในช่วยให้ท่านเข้าใช้อินเทอร์เน็ตและระบบเครือข่ายภายในบ้านได้ ท่านสามารถใช้คุณสมบัตินี้ในการเชื่อมต่อกับระบบ LAN แบบไร้สาย เพื่อให้ได้รับประโยชน์อย่างเต็มที่จากระบบเครือข่ายในสภาพแวดล้อมแบบไร้สาย ให้แน่ใจว่าได้ตั้งค่าเราเตอร์ระบบ LAN แบบไร้สายแล้ว ก่อนตั้งค่าฟังก์ชันระบบ LAN แบบไร้สายของทีวี



7: การทำการตั้งค่าเริ่มต้น



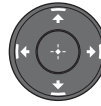
- 1 เสียบปลั๊กทีวีเข้ากับเต้าเสียบไฟ AC
- 2 กด I/⏻ ที่ทีวี ไฟ LED ส่องสว่างจะติดสว่างเป็นสีขาว เมื่อท่านเปิดเครื่องทีวีเป็นครั้งแรก เมนูภาษาจะปรากฏขึ้นบนหน้าจอ



- เมื่อเปิดเครื่องทีวีเป็นครั้งแรก เครื่องต้องประมวลผลภายในบางอย่างเพื่อปรับค่าประสิทธิภาพให้เหมาะสมที่สุดก่อน แล้วจึงทำการตั้งค่าเริ่มต้นได้ จะไม่มีภาพและเสียง และไฟ LED ส่องสว่างที่ด้านหน้าของเครื่องทีวีจะกะพริบเป็นสีขาวประมาณ 40 วินาที อย่านเปิดเครื่องทีวีในระหว่างขั้นตอนนี้ ที่วิทยางเครื่องดำเนินการขั้นตอนนี้เสร็จเรียบร้อยแล้วตั้งแต่อู่ในโรงงาน
- ไฟ LED จะส่องสว่างเป็นสีค้างกันตามสถานะของทีวี หากไม่ต้องการให้ไฟ LED ส่องสว่างสามารถปิดได้ภายหลัง กด HOME แล้วเลือก “ตั้งค่า” → “ตั้งค่าระบบ” → “ตั้งค่าทั่วไป” → “ไฟ LED ส่องสว่าง” → “ปิด” ท่านยังสามารถกด OPTIONS แล้วเลือก “ไฟ LED ส่องสว่าง” → “ปิด”



- 3 กด ↑/↓/←/→ เพื่อเลือกรายการ แล้วจึงกด ⊕ ปฏิบัติตามคำแนะนำบนหน้าจอ



เรียงลำดับช่อง:

เปลี่ยนลำดับการบันทึกช่องสัญญาณอนาล็อกในเครื่องทีวี

- 1 กด ↑/↓ เพื่อเลือกช่องสถานีที่ต้องการย้ายตำแหน่งใหม่ จากนั้นกด ⊕
- 2 กด ↑/↓ เพื่อเลือกตำแหน่งใหม่ของช่องสัญญาณนั้น จากนั้นกด ⊕



- ท่านสามารถปรับจูนช่องสัญญาณด้วยตนเองได้เช่นกัน

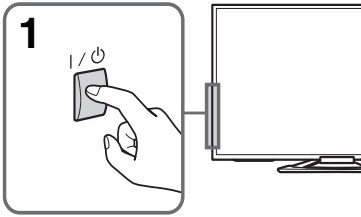
ตั้งค่าเครือข่าย: ตั้งค่าการตั้งค่าอินเทอร์เน็ต

หากท่านไม่มีอินเทอร์เน็ต หรือต้องการตั้งค่าภายหลัง เลือก “ข้าม” หลังจากเลือก “ต่อไป” หรือ “เริ่มต้น” (ขึ้นอยู่กับรุ่น) ที่หน้าจอขึ้นขั้นตอนการตั้งค่าอินเทอร์เน็ต เลือก “อัตโนมัติ” เพื่อเชื่อมต่อเครือข่ายโดยอัตโนมัติ เลือก “เลือกปรับ” เพื่อเชื่อมต่อด้วยตนเอง



- หากใช้ความปลอดภัย WEP ให้เลือก “เลือกปรับ” → “ตั้งค่าระบบไร้สาย” → “ค้นหา” จากนั้นเลือกชื่อเครือข่าย (SSID) ที่ต้องการเชื่อมต่อหากไม่พบชื่อเครือข่ายที่ต้องการให้เลือก “[ใส่ค่าเอง]” แล้วกด ⊕ เพื่อใส่ชื่อเครือข่าย
- การตั้งค่า “ตั้งค่าเครือข่าย” ภายหลัง ให้กด HOME, แล้วเลือก “ตั้งค่า” → “เครือข่าย” → “ตั้งค่าเครือข่าย”
- ใช้อะแดปเตอร์ USB Adapter สำหรับสัญญาณแลนแบบไร้สายซึ่งเป็นอุปกรณ์เสริมเชื่อมต่อกับเราเตอร์แบบไร้สาย (หรือจุดเชื่อมต่ออินเทอร์เน็ต) ที่ 5GHz. เสียบอะแดปเตอร์ USB Adapter สำหรับสัญญาณแลนแบบไร้สาย แล้วตั้งค่า “Wi-Fi Direct” เป็น “ปิด” กด HOME แล้วเลือก “ตั้งค่า” → “เครือข่าย” → “Wi-Fi Direct” → “ปิด”

การรับชมทีวี



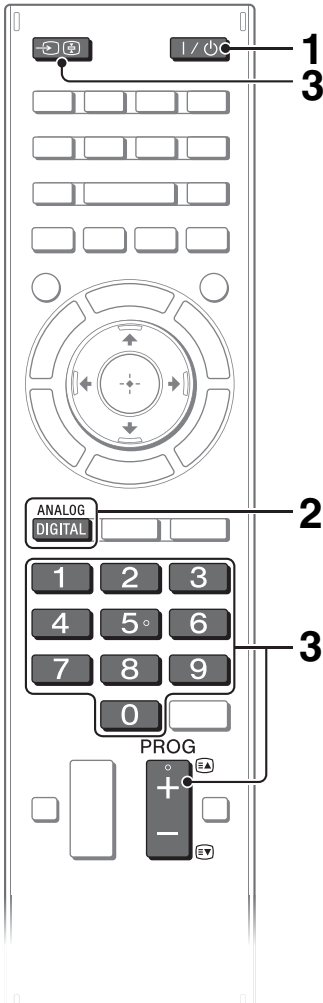
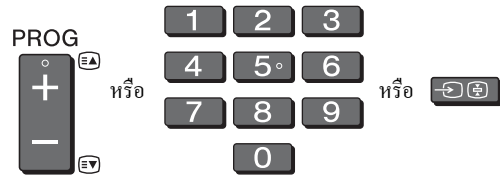
1 เปิดทีวี

กด บนทีวีหรือรีโมทเพื่อเปิดทีวี

2 เลือกโหมด



3 เลือกช่องรับสัญญาณโทรทัศน์หรือเลือกสัญญาณเข้าอื่น



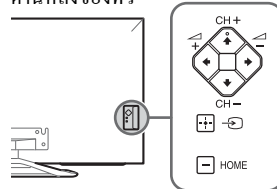
■ การเลือกช่องสัญญาณดิจิทัล

ใช้ 0-9 สำหรับช่องสัญญาณหมายเลข 10 ขึ้นไป ให้กดตัวเลขถัดไปอย่างรวดเร็ว



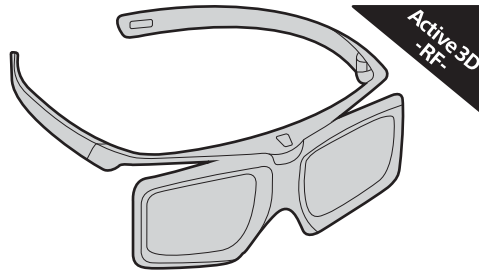
- ดูตัวอย่างข้างล่างสำหรับตำแหน่งของ CH+/-, +/-, , , , , และปุ่ม HOME บนทีวี

ด้านหลังของทีวี



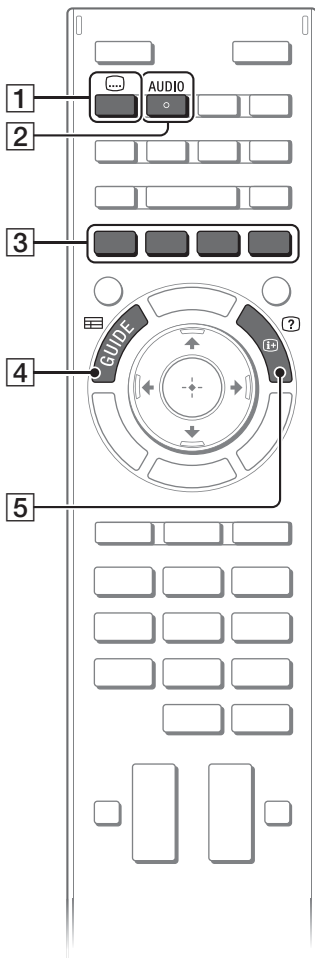
การรับชมเนื้อหา 3 มิติ

คุณสมบัตินี้ช่วยให้ท่านได้รับประสบการณ์ความบันเทิงในรูปแบบ 3 มิติที่ทรงพลัง เช่น เกมที่สร้างภาพแบบ 3 มิติ และดิสก์บลูเรย์ 3 มิติ
ดูวิธีการตั้งค่า 3 มิติหรือการรับชมเนื้อหาในระบบ 3 มิติได้จาก i-Manual และคู่มือการใช้งานที่ให้มาพร้อมกับแว่นตา 3 มิติ



TH

ปุ่มที่ใช้งานบ่อยครั้ง



1 การตั้งค่าคำบรรยาย

สามารถเปิด/ปิดคำบรรยายขณะที่ดูการกระจายเสียงระบบดิจิตอล

2 AUDIO

ท่านสามารถเลือกเสียงภาษา 2
หรือภาษาที่สองได้ขณะที่รับชมการออกอากาศระบบมัลติเพล็กซ์อยู่

3 ปุ่มสี

หากรีโมทมีปุ่มสี คำแนะนำการใช้งานจะปรากฏบนหน้าจอ

4 GUIDE

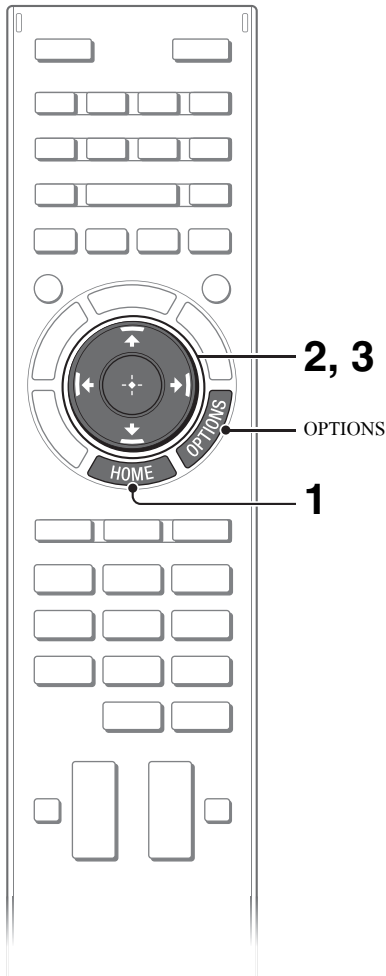
แสดงคำแนะนำรายการแบบดิจิตอล

5 +/? ข้อมูล / แสดงข้อความ

แสดงหมายเลขช่องสัญญาณ รายละเอียดของรายการ และนาฬิกา

การเลือกฟังก์ชันและการตั้งค่าต่าง ๆ (โฮมเมนู)

ท่านสามารถเลือกคุณสมบัติได้จากโฮมเมนู



ต่อไปนี้เป็นตัวอย่างวิธีการเลือกรายการและปรับตั้งค่าทีวี

1 กด HOME



2 กด ↑/↓ เพื่อเลือกรายการ “ตั้งค่า”

เนื้อหาของ “ตั้งค่า” จะแสดงตามแนวนอน



ดู หน้า 19 (รายชื่อรายการต่างๆ) สำหรับรายการทั้งหมด

3 กด ←/→ เพื่อเลือกการตั้งค่าที่ต้องการ แล้วจึงกด



4 ปรับการตั้งค่า

■ ในการออกจากโฮมเมนู

กด HOME

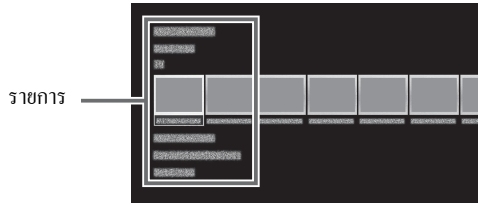
■ ในการเลือกใช้ปุ่ม OPTIONS

กด OPTIONS

จะแสดงรายการฟังก์ชันอำนวยความสะดวกและทางลัดของเมนู

รายการเมนูจะแตกต่างกันไปขึ้นอยู่กับสัญญาณเข้าและ/หรือเนื้อหาปัจจุบัน

รายชื่อรายการต่าง ๆ



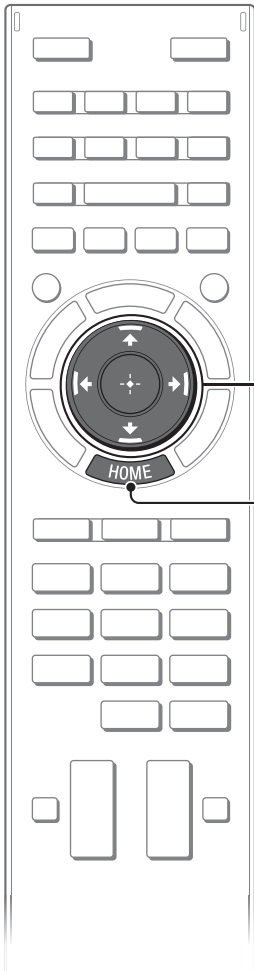
รายการต่างๆ ที่มีให้เลือกใช้จะขึ้นอยู่กับรุ่นของทีวี ภูมิภาคและประเทศ

คุณสมบัติ	มีข้อมูลแอปพลิเคชันและเนื้อหาสามารถใช้งานได้ ถ้าไม่มีการเชื่อมต่อเครือข่าย หรือการตั้งค่า “แสดงรายการเด่น” ที่ตั้งเป็น “ปิด” “คุณสมบัติ” จะไม่แสดงขึ้นมา
ประวัติการเรียกดู	แสดงรายการที่ได้รับชมไปไม่นาน
ทีวี	ท่านสามารถเลือกรายการของช่องสัญญาณทีวี หรือคำแนะนำรายการออกอากาศได้ สามารถใช้คำแนะนำรายการได้ ทั้งนี้ขึ้นอยู่กับรุ่นทีวีหรือภูมิภาค รายการช่องต่างๆ ที่ลงทะเบียน เป็นรายการที่ชอบใน หมวดหมู่ “ทีวี” จะแสดงให้เห็น
แอปพลิเคชัน	เริ่มต้นแอปพลิเคชันที่ต้องเชื่อมต่ออินเทอร์เน็ต รวมถึงมีเดียเพลเยอร์ซึ่งไม่ต้องเชื่อมต่ออินเทอร์เน็ต รายการของแอปพลิเคชันที่ลงทะเบียนเป็นรายการที่ชอบ ในหมวด “แอปพลิเคชัน” แสดงขึ้นมา
อุปกรณ์ที่เชื่อมต่อ	ช่วยให้สามารถเลือกอุปกรณ์ที่เชื่อมต่อเข้ากับทีวีได้
ตั้งค่า	กำหนดการตั้งค่าต่างๆ (เช่น การตั้งค่าภาพ, การตั้งค่าเสียง, การตั้งค่าเสียงปุ่ม) ซึ่งช่วยให้ท่านสามารถปรับทีวีได้ตามต้องการ

TH

การรับชมวิดีโอจากอินเทอร์เน็ต

คุณสมบัตินี้เปรียบเสมือนประตูเข้าออกของเนื้อหาจากอินเทอร์เน็ตซึ่งจัดส่งความบันเทิงแบบออนดีมานด์ที่หลากหลายตรงถึงทีวีของท่าน ท่านสามารถเพลิดเพลินไปกับเนื้อหาของวิดีโอ รวมถึงภาพยนตร์และการ์ตูนได้ ท่านจำเป็นต้องทำการเชื่อมต่ออินเทอร์เน็ตแบบบรอดแบนด์ รายละเอียดดูที่หน้า 14 (6: การเชื่อมต่อทีวีเข้ากับอินเทอร์เน็ต)



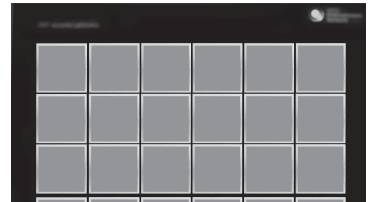
1 กด HOME



2 กด ↑/↓ เพื่อเลือกรายการ “แอปพลิเคชัน”

3 กด ←/→ เพื่อเลือก “แอปพลิเคชันทั้งหมด”, แล้วจึงกด ⊕

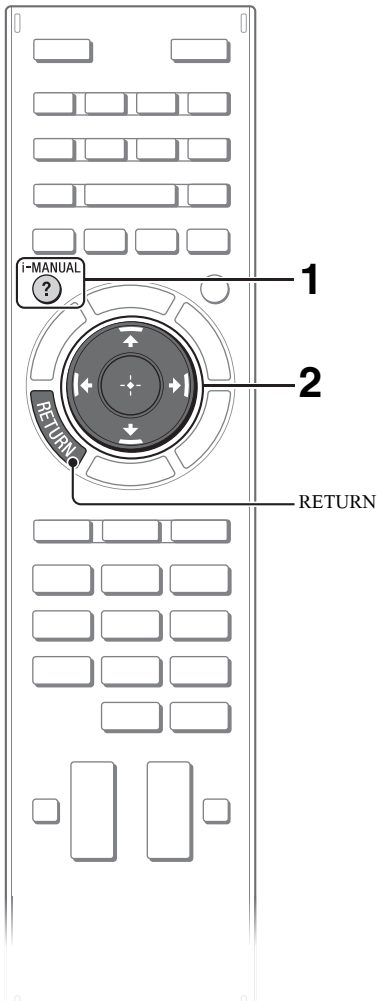
4 กด ↑/↓/←/→ เพื่อเลือกการให้บริการที่ต้องการ แล้วจึงกด ⊕



- หากมีปัญหาในการใช้งานคุณสมบัตินี้ ให้ตรวจสอบการตั้งค่าอินเทอร์เน็ตว่าถูกต้องหรือไม่
- อินเทอร์เน็ตของเนื้อหาจากอินเทอร์เน็ตอาจแตกต่างกัน ทั้งนี้ขึ้นอยู่กับผู้ให้บริการเนื้อหาจากอินเทอร์เน็ต
- การให้บริการจำกัดเนื้อหาวิดีโอขึ้นอยู่กับค่า “ควบคุมระดับสันทนาการเล่น” ของทีวี ผู้ให้บริการบางรายอาจไม่สนับสนุนฟังก์ชันนี้
- ในการปรับปรุความทันสมัยของการให้บริการเนื้อหาอินเทอร์เน็ตทีวี กด HOME แล้วเลือก “ตั้งค่า” → “เครือข่าย” → “รีเฟรชข้อมูลอินเทอร์เน็ต”

การค้นหาคำแนะนำในคู่มืออิเล็กทรอนิกส์ (i-Manual)

คู่มือการใช้งานติดตั้งอยู่ในทีวี BRAVIA ของท่าน และสามารถแสดงบนหน้าจอได้
ศึกษาข้อมูลเพิ่มเติมเกี่ยวกับคุณลักษณะต่าง ๆ ของทีวีท่านได้ โดยเข้าสู่ i-Manual ด้วยการสัมผัสที่ปุ่ม

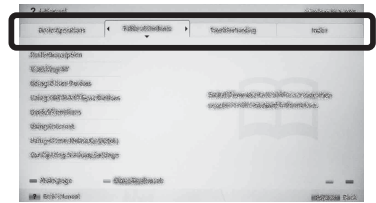


1 กด i-MANUAL.

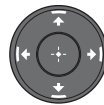


2 เลือกรายการ

1 กด \leftarrow/\rightarrow เพื่อเลือกรายการ



2 กด $\uparrow/\downarrow/\leftarrow/\rightarrow$ เพื่อเลือกรายการ แล้วจึงกด \oplus



เครื่องหมายลูกศร*

* หากเครื่องหมายลูกศรปรากฏ กด \downarrow ซ้ำๆ เพื่อแสดงรายการอื่นๆ

หน้าของรายการที่เลือกไว้จะปรากฏ



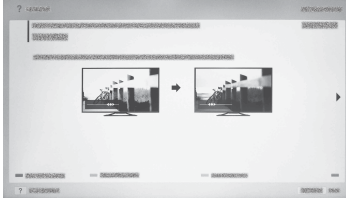
- ท่านสามารถเลื่อนหน้าหลายๆ หน้าได้โดยใช้ \leftarrow/\rightarrow
กด RETURN เพื่อกลับไปสู่หน้าก่อนหน้า

การบันทึกหน้าจที่รับชมบ่อยครั้ง (ที่คั่นหน้า)

ท่านสามารถบันทึกหน้าจที่รับชมบ่อยครั้งได้เพื่อให้สามารถเข้าชมได้ง่ายตามต้องการ

■ การบันทึกหน้าจ

ในหน้าจที่ต้องการคั่นหน้าไว้ กดปุ่มสี่เหลี่ยมบนรีโมท



■ ในการเข้าใช้หน้าจที่คั่นไว้

เมื่อเปิด i-Manual กดปุ่มสี่เหลี่ยมบนรีโมทเพื่อแสดงรายการที่คั่นหน้า กด ▲/▼ เพื่อเลือกรายการที่ต้องการ แล้วจึงกด ⊕



- ในการกลับไปสู่หน้าจก่อนหน้านี้ กด RETURN

■ การลบที่คั่นหน้า

เมื่อหน้าจที่คั่นหน้าไว้ปรากฏ กดปุ่มสี่เหลี่ยมบนรีโมท

การแสดงผลอีกครั้ขขณะที่ยังเปิดทีวีอยู่

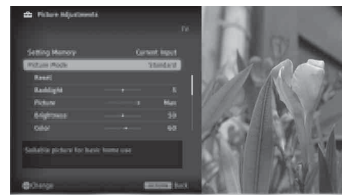
ท่านสามารถสลับระหว่างหน้าจ i-Manual และหน้าจทีวีได้ คุณสมบัตินี้ช่วยให้ท่านสามารถดูคำแนะนำใน i-Manual ได้ขณะที่ยังเปิดทีวี BRAVIA อยู่ กด **i-MANUAL** เพื่อสลับระหว่างหน้าจ i-Manual ที่แสดงไว้ก่อนหน้านี้กับหน้าจทีวี



หน้าจ i-Manual ที่แสดงก่อนหน้านี้



หน้าจทีวี BRAVIA



- ในการข้ามไปยังหน้าจบสุดของ i-Manual กดปุ่มสี่เหลี่ยมบนรีโมท ท่านยังสามารถกด **HOME** แล้วเลือก “ตั้งค่า” → “i-Manual” เพื่อข้ามไปยังหน้าจบสุดของ i-Manual ได้ด้วยเช่นกัน
- เมื่อเปิดทีวีหรือทีวีเข้าสู่โหมดพร้อมใช้งาน หน้าจบสุดของ i-Manual จะปรากฏ เมื่อเลือก “i-Manual”

การแก้ไขปัญหา

เมื่อไฟ LED ส่องสว่างกะพริบเป็นสีแดง ให้นับจำนวนครั้งของการกะพริบ (ช่วงเวลาเท่ากับสามวินาที)

กด I/⏻ บนเครื่องทีวีเพื่อปิดเครื่อง ถอดสายไฟ AC และแจ้งให้ตัวแทนจำหน่ายหรือศูนย์บริการ Sony ของท่านทราบถึงลักษณะการกะพริบของไฟแสดง (จำนวนครั้งที่กะพริบ)

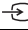

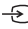





เมื่อไฟ LED ส่องสว่างไม่กะพริบ ให้ตรวจสอบรายการในตารางต่อไปนี้

โดยอ้างอิงจาก “การแก้ไขปัญหา” ใน i-Manual ถ้าหากยังคงแก้ไขปัญหาไม่ได้ นำทีวีของท่านไปขอรับบริการจากช่างซ่อมที่ได้รับการรับรอง

สภาพปัญหา	สาเหตุ/การแก้ไข
ไม่มีภาพ (หน้าจอมืด) และไม่มีเสียง	<ul style="list-style-type: none">• ตรวจสอบการเชื่อมต่อสายอากาศ/สายสัญญาณ• ต่อทีวีเข้ากับเต้าเสียบไฟ AC และกด I/⏻ บนเครื่องทีวีหรือรีโมท
ไม่สามารถปรับจูนรายการออกอากาศบางรายการได้	<ul style="list-style-type: none">• ตรวจสอบเสาอากาศ (สายอากาศ)
รีโมทคอนโทรลไม่ทำงาน	<ul style="list-style-type: none">• เปลี่ยนแบตเตอรี่• ทีวีของท่านอาจอยู่ในโหมด SYNC กด SYNC MENU เลือก “จัดการทีวี” จากนั้น เลือก “โฮม (เมนู)” หรือ “ตัวเลือก” เพื่อควบคุมการทำงานของทีวี
ลิ้มรส “ควบคุมระดับสติ๊กเกอร์เล่น”	<ul style="list-style-type: none">• ป้อนรหัส PIN เป็น 9999 (รหัส PIN 9999 ได้รับการยอมรับเสมอ)
บริเวณรอบตัวเครื่องร้อน	<ul style="list-style-type: none">• ในกรณีที่เปิดเครื่องทีวีติดต่อกันเป็นเวลานาน บริเวณรอบตัวเครื่องทีวีจะร้อน ท่านอาจรู้สึกร้อนเมื่อใช้สัมผัสบริเวณนั้น
เสียงหรือภาพไม่ชัด หน้าจอไม่มีภาพหรือทีวีไม่ตอบสนองต่อปุ่มบนทีวีหรือปุ่มบนรีโมท	<ul style="list-style-type: none">• ตั้งทีวีใหม่ง่ายๆ โดยถอดปลั๊กสายไฟ AC ออกประมาณ 2 นาทีแล้วจึงเสียบปลั๊กสายไฟอีกครั้ง

TH

ข้อมูลจำเพาะ

ระบบ	
ระบบแผงหน้าจอ	หน้าจอ LCD (Liquid Crystal Display)
ระบบทีวี	อนาล็อก: B/G, I, D/K, M, L ดิจิทัล: DVB-T2 (ขึ้นอยู่กับรุ่นทีวีของท่าน) DVB-T
ระบบสี/ระบบวิดีโอ	อนาล็อก: PAL, SECAM, NTSC3.58, NTSC4.43 ดิจิทัล: อ้างอิงจาก i-Manual
ช่องสัญญาณที่รับได้	อนาล็อก: UHF/VHF/สาย, ขึ้นอยู่กับการเลือกประเทศ/พื้นที่ของท่าน ดิจิทัล: UHF/VHF, ขึ้นอยู่กับการเลือกประเทศ/พื้นที่ของท่าน
เสียงออก	10 วัตต์ + 10 วัตต์
ช่องต่อสัญญาณเข้า/ออก	
สายอากาศ/สายสัญญาณ	ช่องต่อภายนอก 75 โอห์มสำหรับ VHF/UHF
 VIDEO IN 1	ช่องต่อเข้าวิดีโอ/เสียง (ช่องต่อแบบ phono)
 COMPONENT IN	YPbPr (วิดีโอคอมโพเนนต์): 1080p (50, 60Hz), 1080i (50, 60Hz), 720p (50, 60Hz), 576p, 576i, 480p, 480i สัญญาณเสียงเข้า (ช่องต่อแบบ phono)
 VIDEO IN 2	สัญญาณเข้าวิดีโอ (เข็มแบบ phono ที่ไม่มีช่องสัญญาณ Y)
HDMI IN 1, 2, 3, 4	วิดีโอ(2D): 1080p (30, 50, 60Hz), 1080/24p, 1080i (50, 60Hz), 720p (30, 50, 60Hz), 720/24p, 576p, 576i, 480p, 480i, PC รูปแบบวิดีโอ(3D): การรวมเฟรมภาพ 1080p (30Hz), 1080/24p, 1080i (50, 60Hz), 720p (30, 50, 60Hz), 720/24p ซ้าย-ขวา 1080p (50, 60Hz), 1080/24p, 1080i (50, 60Hz), 720p (50, 60Hz) บน-ล่าง 1080p (30, 50, 60Hz), 1080/24p, 1080i (50, 60Hz), 720p (50, 60Hz) เสียง: PCM เชิงเส้นสองช่องเสียง: 32, 44.1 และ 48 kHz, 16, 20 และ 24 บิต, Dolby Digital ARC (Audio Return Channel) (HDMI IN 1 เท่านั้น)  HDMI 3 AUDIO IN
MHL (เหมือนกับ HDMI IN 2)	วิดีโอ(2D): 1080p (30Hz), 1080/24p, 1080i (50, 60Hz), 720p (30, 50, 60Hz), 720/24p, 576p, 576i, 480p, 480i วิดีโอ(3D): ซ้าย-ขวา 1080/24p, 1080i (50, 60Hz), 720p (50, 60Hz) บน-ล่าง 1080p (30Hz), 1080/24p, 1080i (50, 60Hz), 720p (50, 60Hz) เสียง: PCM เชิงเส้นสองช่องเสียง: 32, 44.1 และ 48kHz, 16, 20 และ 24 บิต, Dolby Digital
 DIGITAL AUDIO OUT (OPTICAL)	ช่องต่อออกดิจิทัลดิจิทัล (PCM เชิงเส้นสองช่องเสียง, Dolby Digital)
 AUDIO OUT	สัญญาณเสียงออก (แฉีกขนาดเล็กของสเตอริโอ) ช่องต่อหูฟัง
ψ 1, ψ 2, ψ 3	ช่องต่อ USB
 LAN	ข้อต่อ 10BASE-T/100BASE-TX (ความเร็วในการเชื่อมต่ออาจแตกต่างกันไปขึ้นอยู่กับสภาวะการใช้งานของระบบเครือข่าย ไม่รับประกันอัตราและคุณภาพการสื่อสารข้อมูลของ 10BASE-T/100BASE-TX สำหรับเครื่องทีวีนี้)
อื่น ๆ	
อุปกรณ์เสริมที่นำมา	ดู “การตรวจสอบอุปกรณ์เสริม” (หน้า 6)
อุปกรณ์เสริม	อุปกรณ์ยึดติดผนัง: SU-WL400 USB Adapter สำหรับสัญญาณแลนแบบไร้สาย UWA-BR100 รีโมทคอนโทรลฟังก์ชันแต่ละครั้งเดียว: RMF-ED003 (ยกเว้น KDL-55/46W954A เท่านั้น) ชุดกล้องและไมโครโฟน: CMU-BR200/CMU-BR100 แว่นตาสามมิติแบบแอคทีฟ: TDG-BT500A 
อุณหภูมิใช้งาน	0 °C – 40 °C
ความชื้นสัมพัทธ์การใช้งาน	10 % – 80 % RH (ไม่กลั่นตัวเป็นหยดน้ำ)

ชื่อรุ่น KDL-	55W954A	55W904A	46W954A	46W904A
พลังงานและอื่น ๆ				
ความต้องการพลังงาน	110 V – 240 V AC, 50/60 Hz			
ขนาดหน้าจอ (วัดแนวเข้ยมุม)	ประมาณ 138.8 ซม./55 นิ้ว	ประมาณ 138.8 ซม./55 นิ้ว	ประมาณ 116.8 ซม./46 นิ้ว	ประมาณ 116.8 ซม./46 นิ้ว
ความละเอียดหน้าจอ	1,920 จุดภาพ (แนวนอน) × 1,080 เส้น (แนวตั้ง)			
ความสิ้นเปลืองพลังงาน	ระบุไว้ที่ด้านหลังของทีวี			
ขนาด (ประมาณ) (กว้าง × สูง × ลึก)				
รวมเป็นรองแบบตั้งโต๊ะ (มม.)	1,250 × 765 × 307	1,241 × 756 × 298	1,058 × 657 × 307	1,049 × 648 × 298
ไม่รวมเป็นรองแบบตั้งโต๊ะ (มม.)	1,250 × 729 × 115	1,241 × 723 × 61	1,058 × 620 × 115	1,049 × 616 × 61
น้ำหนัก (ประมาณ)				
รวมเป็นรองแบบตั้งโต๊ะ (กก.)	28.1	22	23.3	17.3
ไม่รวมเป็นรองแบบตั้งโต๊ะ (กก.)	25.6	19.7	20.8	15.2

TH

อุปกรณ์เสริมที่สามารถหาซื้อได้ขึ้นอยู่กับประเทศ/ภูมิภาค/รุ่นทีวี/การมีสินค้าในคลัง
แบบและข้อมูลจำเพาะอาจเปลี่ยนแปลงได้โดยไม่แจ้งให้ทราบล่วงหน้า

การติดตั้งอุปกรณ์เสริม (อุปกรณ์ยึดติดผนัง)

■ สำหรับลูกค้า:

เพื่อป้องกันผลิตภัณฑ์และเหตุผลด้านความปลอดภัย Sony ขอแนะนำและข้ว่าการติดตั้งเครื่องทีวีควรจะทำโดยตัวแทนจำหน่ายของ Sony หรือผู้รับติดตั้งที่ได้รับการรับรองเท่านั้น อย่าพยายามติดตั้งด้วยตัวท่านเอง

■ สำหรับตัวแทนจำหน่าย Sony และผู้รับติดตั้ง:

ใส่ใจระมัดระวังเรื่องความปลอดภัยเป็นพิเศษระหว่างทำการติดตั้ง ดูแลรักษา และตรวจสอบผลิตภัณฑ์นี้ตามระยะเวลา

ทีวีของท่านสามารถติดตั้งโดยใช้อุปกรณ์ยึดติดผนัง รุ่น SU-WL400 (หน้า 27) (แยกจำหน่าย)

- เพื่อให้สามารถติดตั้งได้อย่างถูกต้องเหมาะสม โปรดดูคู่มือที่ให้มากับอุปกรณ์ยึดติดผนัง

การติดตั้งผลิตภัณฑ์นี้จำเป็นต้องใช้ช่างที่มีประสบการณ์เพียงพอ

โดยเฉพาะอย่างยิ่งในการประเมินความแข็งแรงของกำแพงที่จะรับน้ำหนักของเครื่องทีวี ควรจะให้ตัวแทนจำหน่ายของ Sony หรือผู้รับติดตั้งที่ได้รับการรับรองทำการติดตั้งผลิตภัณฑ์นี้เข้ากับผนัง และเอาใจใส่ต่อความปลอดภัยระหว่างการติดตั้งอย่างพอเพียง Sony ไม่รับผิดชอบต่อความเสียหายหรือการได้รับบาดเจ็บใด ๆ ที่เกิดจากการติดตั้งที่ไม่ถูกต้องหรือไม่เหมาะสม

ข้อควรระวัง

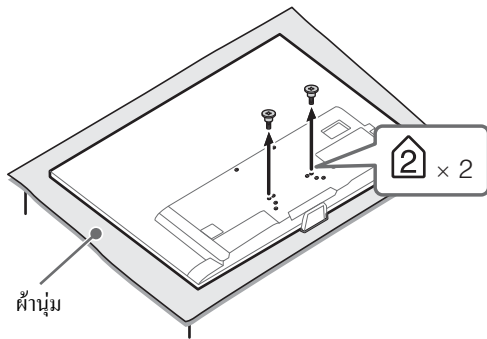
ถอดเป็นร่องแบบตั้งโต๊ะออก ดูรายละเอียด “การถอดเป็นร่องแบบตั้งโต๊ะออก จากทีวี” (หน้า 7)

SU-WL400

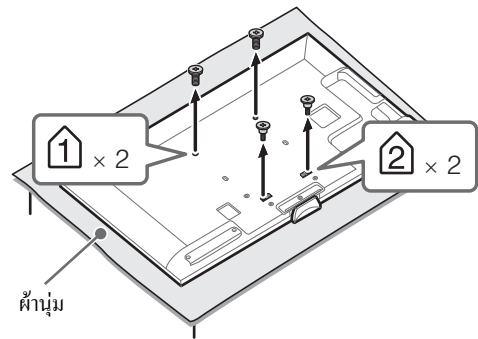
ในการติดตั้งทีวีบนฝาผนัง ให้ถอดสกรูด้านหลังของทีวีออก

ตรวจสอบให้แน่ใจว่าจัดเก็บสกรูที่ถอดออกไว้ในสถานที่ที่ปลอดภัยและเก็บให้พ้นมือเด็ก

KDL-55/46W954A



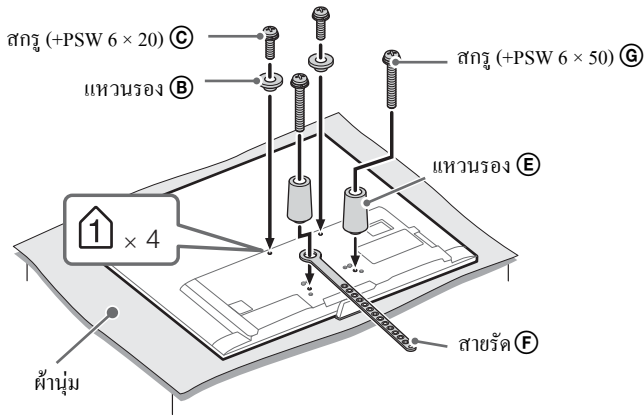
ยกเว้น KDL-55/46W954A



- เมื่อถอดเป็นร่องแบบตั้งโต๊ะออกจากเครื่องทีวี ให้วางหน้าจอว่าหน้าลงบนพื้นทำงานที่แข็งแรงมั่นคงและมีขนาดใหญ่กว่าเครื่องทีวี
- เพื่อป้องกันไม่ให้หน้าจอ LCD เสียหาย ให้แน่ใจว่าได้วางฝาเนื้อนุ่มบนพื้นแล้ว

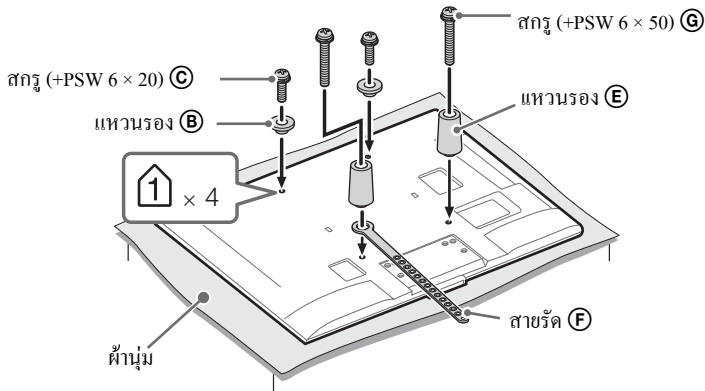
SU-WL400

KDL-55/46W954A



TH

ยกเว้น KDL-55/46W954A



- หลังจากคว่ำหน้าทีวีลงแล้ว ให้ติดตั้งอุปกรณ์เสริม SU-WL400 สำหรับรายละเอียดเพิ่มเติม (B), (C), (E), (F) และ (G), ดูคำแนะนำการใช้ที่ห้มาพร้อมกับอุปกรณ์ชุดติดตั้ง
- ติดแหวนรองและสกรู (+PSW6x20) กับข้างบนด้านหลังของทีวี
- ติดสายรัดและแหวนรองกับสกรู (+PSW6x50) กับข้างล่างด้านหลังของทีวี
- หากใช้ไขควงไฟฟ้า ให้ตั้งแรงบิดไว้ที่ประมาณ 1.5 N·m {15 kgf·cm}
- สกรู (+PSW 4 x20) (D), นูช (M4) (H) และสกรู (+PSW 4 x 50) (I) จะไม่ถูกใช้ ขึ้นอยู่กับรุ่น. เก็บส่วนที่ไม่ได้ใช้เพื่อประโยชน์ในอนาคต. และเก็บรักษาคู่มือนี้ไว้อ้างอิงในอนาคต

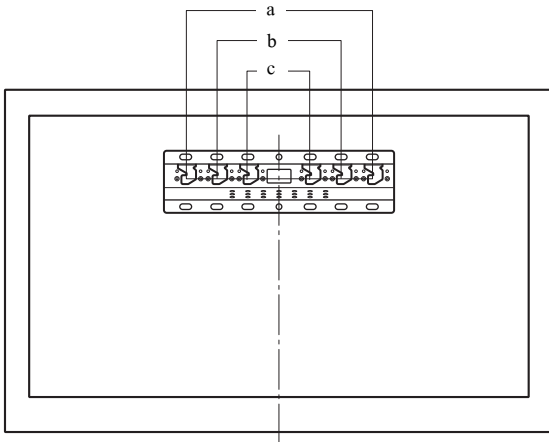
ตาราง/ผังตำแหน่งขอยึด

ชื่อรุ่น KDL-	ตำแหน่งขอยึด
	SU-WL400
55W904A	a
46W904A	
55W954A	b
46W954A	

■ SU-WL400

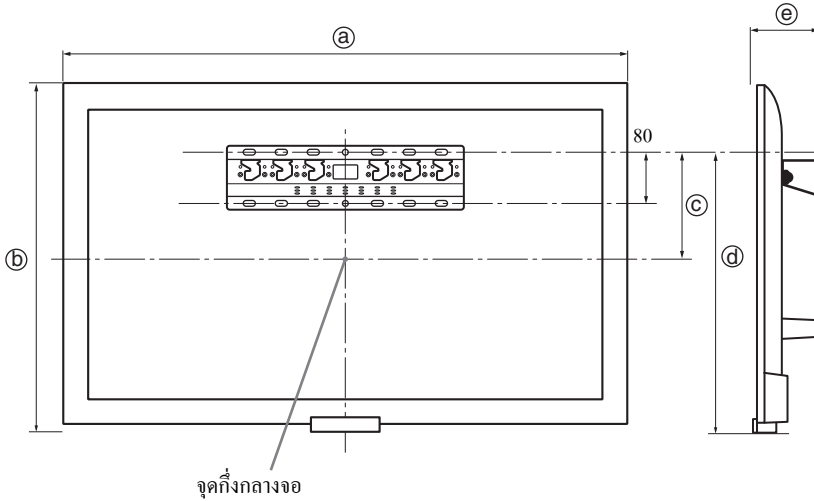
ตำแหน่งขอยึด

เมื่อติดตั้งเครื่องทีวีเข้ากับฐานยึดติดผนัง



ตารางพิกัดติดตั้งเครื่องทีวี

SU-WL400



หน่วย: มม.

ชื่อรุ่น KDL-	ขนาดหน้าจอ		พิกัดกลาง หน้าจอ	ความยาวสำหรับการยึด	
	a	b	c	d	e
SU-WL400					
55W954A	1,250	729	38	334	112
55W904A	1,241	723	146	516	107
46W954A	1,058	620	17	334	112
46W904A	1,049	616	200	516	107

ตัวเลขในตารางอาจจะแตกต่างกันเล็กน้อย ทั้งนี้ขึ้นอยู่กับารติดตั้ง
เมื่อทีวีของท่านติดตั้งบนกำแพง ด้านบนของทีวีจะเอนไปข้างหน้าเล็กน้อย

คำเตือน

ผนังที่จะใช้ติดตั้งเครื่องทีวีจะต้องสามารถรองรับน้ำหนักให้ได้มากกว่า 4 เท่าของน้ำหนักเครื่องทีวี ดู หน้า 24-25 (ข้อมูลจำเพาะ)
สำหรับน้ำหนัก



ดูคำแนะนำสำหรับอุปกรณ์ยึดติดผนังของทีวีรุ่นของท่านเพื่อยึดติดบนกำแพง

TH

ข้อมูลความปลอดภัย

คำเตือน

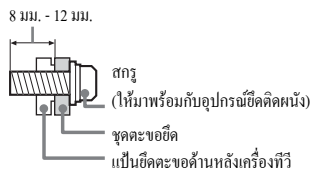
ต้องไม่ให้แบตเตอรี่โดนความร้อนมากเกินไป เช่น แสงแดด ไฟ หรือสิ่งอื่นที่คล้ายกัน

การติดตั้ง/ตั้งค่า

ติดตั้งและใช้งานเครื่องทีวีตามวิธีการข้างล่างนี้เพื่อหลีกเลี่ยงความเสี่ยงต่อการเกิดไฟไหม้ ไฟฟ้าดูด หรือความเสียหาย และ/หรือการได้รับบาดเจ็บ

การติดตั้ง

- ควรติดตั้งเครื่องทีวีใกล้เต้าเสียบไฟ AC ที่เข้าถึงได้ง่าย
- ควรวางเครื่องทีวีบนพื้นที่ยึดที่มั่นคง ได้รับความปลอดภัยกันไม่ให้เครื่องหล่นลงมา และเป็นสาเหตุให้เกิดการบาดเจ็บหรือความเสียหายต่อเครื่องทีวี
- การติดตั้งบนผนังต้องกระทำโดยพนักงานบริการที่ผ่านการรับรองเท่านั้น
- เพื่อความปลอดภัย ขอแนะนำให้ท่านใช้อุปกรณ์เสริมของ Sony ซึ่งประกอบด้วย:
 - อุปกรณ์ยึดติดผนัง: SU-WL400
- เมื่อจะติดตั้งชุดจะขอยึดเข้ากับเครื่องทีวีดี ่อใช้สกรูที่ให้มาพร้อม สกรูให้ท่านถูกกำหนดไว้ด้วยแสดงในรูปเมื่อวัดจากผิวหน้าของชุดจะขอยึด เส้นผ่านศูนย์กลางและความยาวของสกรูจะแตกต่างกันไป ทั้งนี้ขึ้นอยู่กับรุ่นของอุปกรณ์ยึดติดผนัง การใช้สกรูอื่นนอกเหนือจากที่ให้มาอาจทำให้ภายในเครื่องทีวีชำรุดหรือทำให้ทีวีหล่นลงมาได้ เป็นต้น



การขนย้าย

- ก่อนทำการขนย้ายเครื่องทีวี ให้ถอดสายเชื่อมต่อต่างๆ ออกให้หมด
- การขนย้ายเครื่องทีวีขนาดใหญ่ต้องใช้สองหรือสามคนช่วยกัน
- ในการขนย้ายเครื่องทีวีด้วยมือ ให้จับเครื่องทีวีตามที่แสดงในรูปด้านล่าง อย่าให้มีแรงกดบนแผง LCD และที่ขอบรอบๆ หน้าจอ



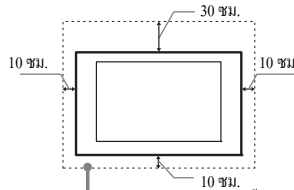
- ขณะเคลื่อนย้ายเครื่องทีวี อย่าให้ตัวเครื่องถูกกระแทกหรือได้รับความสั่นสะเทือนมากเกินไป

- เมื่อทำการเคลื่อนย้ายเครื่องทีวี เพื่อนำไปซ่อมแซมหรือย้ายบ้าน ให้บรรจุในกล่องและอุปกรณ์บรรจุดั้งเดิม

การระบายอากาศ

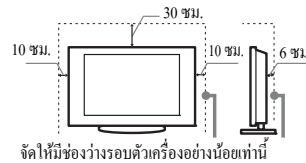
- อย่าปิดช่องระบายอากาศหรือสวิตช์ดูดอากาศเข้าไปในตัวเครื่อง
- จัดให้มีช่องว่างรอบๆ ตัวเครื่องทีวีดังแสดงข้างล่างนี้
- ขอแนะนำให้ท่านใช้อุปกรณ์ยึดติดผนังของ Sony เพื่อให้มีอากาศไหลเวียนรอบตัวเครื่องอย่างเพียงพอ

ติดตั้งบนผนัง



จัดให้มีช่องว่างรอบตัวเครื่องอย่างน้อยเท่านี้

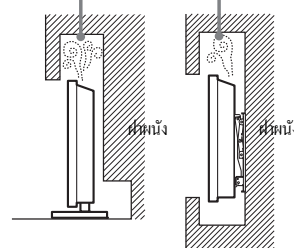
ติดตั้งบนขาตั้ง



จัดให้มีช่องว่างรอบตัวเครื่องอย่างน้อยเท่านี้

- เพื่อให้มีการระบายอากาศอย่างเหมาะสม และป้องกัน การสะสมของความร้อน และฝุ่นละออง:
 - อย่าวางเครื่องทีวีในแนวราบ ติดตั้งกลับหัว กลับหลัง หรือเอียงข้าง
 - อย่าวางเครื่องทีวีบนชั้นหิ้ง ปรม เติง หรือในตู้
 - อย่าคลุมตัวเครื่องทีวีด้วยผ้า เช่น ผ้าม่าน หรือวัสดุจากหนังสัตว์พิมพ์ เป็นต้น
 - อย่าติดตั้งเครื่องทีวีดังแสดงข้างล่างนี้

การไหลเวียนอากาศถูกปิด



สายไฟ AC

ปฏิบัติต่อสายไฟ AC

และ देखีความค่านแนะนำต่อไปนี้เพื่อหลีกเลี่ยงความเสี่ยงต่อการเกิดไฟไหม้ ไฟฟ้าดูด หรือความเสียหาย และ/หรือการได้รับบาดเจ็บ:

- ใช้เฉพาะสายไฟ AC ของ Sony ที่ให้มาด้วยเท่านั้น อย่าใช้สายไฟอื่นอื่น
- เสียบปลั๊กลงในเต้าเสียบไฟ AC จนสุด
- ใช้งานเครื่องทีวีกับแหล่งจ่ายไฟ AC 110-240 V เท่านั้น
- เพื่อความปลอดภัยของทางระหว่างการเดินทางไฟ ดูให้แน่ใจว่าได้ถอดปลั๊กสายไฟ AC แล้ว และมีเครื่องหมายเขียนบนสายไฟ
- ถอดสายไฟ AC ออกจากเต้าเสียบไฟ AC ก่อนเริ่มงานหรือเคลื่อนย้ายเครื่องทีวี
- วางสายไฟ AC ให้ห่างจากแหล่งกำเนิดความร้อน
- ถอดปลั๊กสายไฟ AC และทำความสะอาดอย่างสม่ำเสมอ หากปลั๊กสายไฟมีฝุ่นปกคลุมและฝุ่นเหล่านี้สะสมความชื้น ฉนวนของปลั๊กอาจจะเสื่อมสภาพและก่อให้เกิดไฟไหม้ได้

หมายเหตุ

- อย่าใช้สายไฟ AC ที่ให้มากับอุปกรณ์อื่นๆ
- อย่ากด งอ หรือบิดสายไฟ AC มากเกินควร แกนนำไฟฟ้าภายในอาจจะเหวี่ยงออกมาหรือขาดได้
- อย่าตัดแปลงสายไฟ AC
- อย่าวางวัตถุหนักใดๆ ทับบนสายไฟ AC
- อย่าดึงที่สายไฟ AC เมื่อต้องการถอดสายไฟ AC
- อย่าต่ออุปกรณ์จำนวนมากเกินไปเข้ากับเต้าเสียบไฟ AC ตัวเดียวกัน
- อย่าใช้เต้าเสียบไฟ AC ที่เสียบได้ไม่แน่นพอ

การใช้งานต้องห้าม

อย่าติดตั้งใช้งานเครื่องทีวีในสถานที่ สิ่งแวดล้อม หรือสถานการณ์ดังเช่น ในรายการข้างล่างนี้ มิฉะนั้นเครื่องทีวีอาจจะเสียหาย และก่อให้เกิดไฟไหม้ ไฟฟ้าดูด ความเสียหาย และ/หรือการบาดเจ็บได้

สถานที่:

- กลางแจ้ง (แสงแดดส่องถึงโดยตรง) ริมทะเล บนเรือเดินสมุทรหรือเรืออื่นๆ ภายในยานพาหนะ ในสถานพยาบาล สถานที่ไม่มีผนัง ใต้น้ำ ฝน ความชื้น หรือฝุ่นควัน
- ถ้าวางเครื่องทีวีไว้ในห้องเปลี่ยนเสื้อผ้าของที่ อานม้าสาธารณะหรือบ่อน้ำพุร้อน กัมมะถันที่ลอยอยู่ในอากาศ ฯลฯ อาจทำให้เครื่องทีวีเสียหายได้



- เพื่อคุณภาพของภาพที่ดีที่สุด ไม่ควรให้แสงไฟหรือแสงแดดส่องไปที่หน้าจอ โดยตรง
- หลีกเลี่ยงการเคลื่อนย้ายเครื่องทีวีจากพื้นที่ เช่น ไปยังพื้นที่อบอุ่น การเปลี่ยนแปลงอุณหภูมิห้องในทันทีอาจทำให้เกิดรอยขีดข่วนหรือความชื้นจากการ ความแน่นขึ้น ซึ่งอาจเป็นเหตุให้เครื่องทีวีแสดงภาพที่ไม่ดีพอ และ/หรือสีที่ไม่ดีพอ หากเกิดการฉีกขึ้น ควรปล่อยให้ความชื้นระเหยออกไปจนหมดก่อน เปิดเครื่องทีวี
- ห้ามฉีดน้ำหรือใช้ผงซักฟอกกับเครื่องทีวีโดยตรง เพราะน้ำอาจหยดลงไปทีด้านหลังของหน้าจอหรือ ชิ้นส่วนภายในและเข้าไปในเครื่องทีวี อาจทำให้เครื่องทีวีเสียได้



สิ่งแวดล้อม:

- สถานที่ซึ่งร้อน ขึ้น หรือสปรกปรกมาก ที่ซึ่งแสงต่างๆ เข้าไปได้ ที่ซึ่งได้รับแรงสั่นสะเทือน ใกล้เคียงดูดีไฟ (เช่น เหย็นใน ฯลฯ) เครื่องทีวีจะต้องไม่ถูกของเหลวหยดหรือกระเซ็น ใส และ/มีวางวัตถุใดๆ ที่มีของเหลวบรรจุอยู่ เช่น แก้วกั้น บนตัวเครื่องทีวี
- อย่างวางเครื่องทีวีไว้ในบริเวณที่ชื้นหรือมีฝุ่นมาก หรือในห้องที่มีน้ำมันระเหยหรือไอน้ำ (ใกล้โต๊ะทำอาหารหรือเครื่องทำความชื้น) มิฉะนั้น อาจทำให้เกิดไฟไหม้ ไฟฟ้าลัด หรือรูปร่างเครื่องทีวีบิดเบี้ยวได้

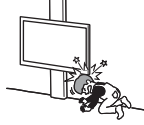


- อย่าคิดตั้งเครื่องทีวีในสถานที่ที่อาจมีอุณหภูมิสูงเกินไป เช่น แสงแดดส่องถึงโดยตรง ใกล้เครื่องทำความร้อนหรือเครื่องระบายความร้อน เนื่องจากในสภาพดังกล่าว เครื่องทีวีจะร้อนมากเกินไป ซึ่งอาจทำให้กรอบจอเสียรูปทรงและ/หรือเครื่องทีวีทำงานผิดพลาดได้



สถานการณ์:

- อย่าใช้งานในขณะที่มือเปียก ขณะที่เปิดฝ้ออก หรือใช้ร่วมกับอุปกรณ์ติดตั้งที่ไม่แนะนำโดยผู้ผลิต ถอดสายทีวีออกจากเต้าเสียบไฟ AC และสายอากาศขณะที่มีพายุฝนฟ้าคะนอง
- อย่าติดตั้งเครื่องทีวีให้ยื่นเข้าไปในพื้นที่วาง มิฉะนั้น หากบุคคลหรือวัตถุกระแทกเข้ากับเครื่องทีวี อาจได้รับบาดเจ็บหรือเกิดความเสียหายได้



ชิ้นส่วนแตก:

- อย่างขังสิ่งของใดๆ เข้าใส่ตัวเครื่องทีวี กระทั่งหน้าจออาจแตกจากแรงกระแทก และทำให้ได้รับบาดเจ็บสาหัส
- ถ้าหากผิวของเครื่องทีวีแตก อย่าสัมผัสตัวเครื่องจนกว่าจะถอดปลั๊กสายไฟ AC มิฉะนั้นอาจเกิดไฟฟ้าลัดได้

เมื่อไม่ใช้งาน

- หากท่านไม่ได้ใช้งานเครื่องทีวีเป็นเวลานานหลาย วัน ควรถอดปลั๊กไฟ AC ออก เพื่อความปลอดภัยและเพื่อสิ่งแวดล้อม
- เนื่องจากเครื่องทีวียังไม่ถูกตัดออกจากแหล่งจ่ายไฟ AC หลังปิดสวิทช์เครื่องทีวี ให้ดึงปลั๊กออกจากเต้าเสียบไฟ AC เพื่อตัดการเชื่อมต่อเครื่องทีวีออกอย่างเด็ดขาด
- อย่างไรก็ตาม บางฟังก์ชันของทีวีอาจจะทำงานได้เมื่อเครื่องทีวี อยู่ในโหมดพร้อมใช้งานเท่านั้น

สำหรับเด็ก

- อย่าให้เด็กปีนขึ้นบนตัวเครื่องทีวี
- เก็บอุปกรณ์เสริมที่มีขนาดเล็กให้ห่างจากเด็ก เพื่อไม่ให้เด็กกลืนเข้าไปโดยไม่รู้ตัวไปถึงการฝัง

ถ้าหากเกิดปัญหาต่อไปขั้นนี้...

ปิด สวิตช์เครื่องทีวี และถอดปลั๊กสายไฟ AC ออกทันทีที่เกิดปัญหาเหล่านี้

ติดต่อตัวแทนจำหน่ายของท่านหรือศูนย์บริการ Sony เพื่อรับการตรวจสอบโดยช่างบริการที่ได้รับการรับรอง

เมื่อ:

- สายไฟ AC เสียหาย
- เต้าเสียบไฟ AC เสียบได้ไม่พอดี
- เครื่องทีวีเสียหายจากการตกกระแทก หรือถูกสิ่งของปะทะเข้าไป
- มีของเหลวหรือของแข็งเข้าไปในตัวเครื่องผ่านทางช่องเปิด

เกี่ยวกับอุณหภูมิของจอภาพ LCD

ในกรณีที่เปิดจอภาพ LCD ติดต่อกันเป็นเวลานาน บริเวณรอบหน้าจอจะร้อน ท่านอาจรู้สึกร้อนเมื่อใช้มือสัมผัสบริเวณนั้น

ข้อควรระวัง

การรับชมทีวี

- ผู้ชมบางท่านอาจรู้สึกไม่สะดวกสบาย (เช่น ปวดตา, ตา หรือเวียน) ในระหว่างรับชมภาพวิดีโอแบบ 3 มิติ หรือเล่นเกมที่สร้างภาพแบบ 3 มิติ ในกรณีนี้ขอแนะนำให้ท่านผู้ชมพักสายตาสักครู่ ในระหว่างรับชมภาพวิดีโอแบบ 3 มิติ หรือเล่นเกมที่สร้างภาพแบบ 3 มิติ รับประทานและความสะดวกสบายในระหว่างรับชมจะแตกต่างกันไปขึ้นอยู่กับแต่ละบุคคล ท่านต้องเป็นผู้ตัดสินใจถึงเรื่องดังกล่าวด้วยตนเอง หากว่าท่านรู้สึกไม่สะดวกสบายขึ้นมา ควรหยุดการรับชมภาพวิดีโอแบบ 3 มิติ หรือหยุดเล่นที่สร้างภาพแบบ 3 มิติ จนกว่าจะรู้สึกดีขึ้น; ปรึกษาแพทย์หากมีความจำเป็น อีกทั้งท่านควรศึกษาข้อมูลล่าสุดจาก (i) คู่มือการใช้งานของอุปกรณ์อื่นๆ หรือสื่อบันทึกอื่นๆ ที่ใช้ร่วมกับทีวีนี้ และ (ii) เว็บไซต์ของเรา (<http://www.sony-asia.com/support>) การมองเห็นของเด็กล็ก (โดยเฉพาะกลุ่มที่อายุต่ำกว่า 6 ขวบ) ยังคงอยู่ในช่วงกำลังพัฒนา ควรปรึกษาแพทย์ (เช่น กุมารแพทย์ หรือ จักษุแพทย์) ก่อนอนุญาตให้เด็กเล่นภาพวิดีโอแบบ 3 มิติ หรือเล่นเกมที่สร้างภาพแบบ 3 มิติ ผู้ปกครองควรควบคุมดูแลบุตรหลานเพื่อให้มั่นใจว่าพวกเขาจะปฏิบัติตามคำแนะนำดังกล่าว
- ห้ามใช้, จัดเก็บ, วางกระถง 3 มิติ หรือแบตเตอรี่ใกล้กับไฟหรือในสถานที่ที่มี อุณหภูมิสูงเช่น ในแสงแดดโดยตรงหรือในรถยนต์ ที่ซึ่งแสงแดดกระทบ
- สำหรับการใช้งานฟังก์ชัน 3D จำลอง พิงระลึไว้ว่าภาพที่ปรากฏได้รับการดัดแปลงมา จากภาพต้นฉบับซึ่งผ่านกระบวนการแปลงโดยทีวีนี้
- รับชมทีวีในที่ที่มีแสงสว่างเพียงพอ เนื่องจากการชมทีวีในสถานที่มืด หรือเป็นระยะเวลาานจะทำให้ดวงตาได้
- เมื่อใช้หูฟัง ให้ปรับระดับเสียงไม่ให้มีเสียงดังเกินไป เนื่องจากอาจจะทำให้ประสาทรับฟังเสียได้

หน้าจอ LCD

- ถึงแม้ว่าหน้าจอ LCD จะถูกผลิตด้วยเทคโนโลยีที่มีความแม่นยำสูง และมีคุณภาพที่ใช้งานได้ 99.99% หรือมากกว่า หน้าจอ LCD อาจจะมีจุดที่มีหรือรอยขีดข่วน (สีแดง น้ำเงิน หรือเขียว) ตลอดจนอาจ ซึ่งเป็นคุณสมบัติทางโครงสร้างของ LCD และไม่ได้ถือว่าเป็นอาการเสีย
- อย่างคหรือขีดข่วนบนแผ่นกรองด้านหลัง หรือวางวัตถุใดๆ บนตัวเครื่องทีวี ภาพอาจจะไม่สม่ำเสมอ หรือหน้าจอ LCD อาจจะมีเสียงได้

TH

- ถ้าหากใช้งานเครื่องทีวีนี้ในสถานที่เย็น อาจจะทำให้ปรากฏมีรอยเปื้อนในภาพ หรือภาพอาจจะมืด อาการนี้ไม่ได้แสดงว่าเครื่องเสีย อาการเหล่านี้จะหายไปเองเมื่ออุณหภูมิสูงขึ้น
- เมื่อแสดงภาพนิ่งต่อเนื่องเป็นระยะเวลานาน อาจจะทำให้ปรากฏเงาภาพได้ ซึ่งอาจจะหายไปเองเมื่อเวลาผ่านไปสักครู่หนึ่ง
- หน้าจอและตัวเครื่องจะอุ่นขึ้นขณะใช้งาน เครื่องทีวีนี้ ไม่ได้แสดงว่าเครื่องเสีย
- หน้าจอ LCD จะประกอบด้วยของเหลวที่มีลักษณะใสในปริมาณเล็กน้อย ปฏิบัติตามคำสั่ง หรือข้อบ่งชี้บนท้องถื่นของท่านสำหรับการกำจัด สารเหล่านี้
- อย่าปล่อยให้หน้าจอ LCD ถูกกระทบหรือกระแทกด้วยความรุนแรง เพราะกระจกหน้าจออาจจะร้าวหรือแตกเป็นชิ้น ๆ ก่อให้เกิดการบาดเจ็บได้



การดูแลและทำความสะอาดผิว หน้าจอ/ตัวเครื่องของเครื่องทีวี

ก่อนทำความสะอาด ตรวจสอบให้แน่ใจว่าได้ถอดปลั๊กสายไฟ AC ของเครื่องทีวีออกจากเต้าเสียบไฟ AC แล้ว

เพื่อป้องกันการเสื่อมสภาพของวัสดุหรือของสารเคลือบผิว หน้าจอ ให้ปฏิบัติตามข้อควรระวังต่อไปนี้

- เช็ดฝุ่นละอองออกจากผิวหน้าจอ/ ตัวเครื่องด้วยผ้านุ่ม ถ้าหากฝุ่นติดแน่น ให้เช็ดโดยใช้ผ้านุ่มชุบสารละลายผงซักฟอกที่เป็น กลางเจือจางเล็กน้อย
- ห้ามฉีดน้ำหรือใช้ผงซักฟอกกับเครื่องทีวีโดยตรง เพราะน้ำอาจหยดลงไปใต้ด้านล่างของหน้าจอหรือ ชิ้นส่วนภายนอกและเข้าไปในเครื่องทีวี อาจทำให้เครื่องทีวีเสียหายได้



- อย่าใช้แผ่นขัด สารทำความสะอาดกรด/ด่างผงขัด หรือสารละลายระเหยชนิดใดๆ เช่น แอลกอฮอล์ เบนซิน ทินเนอร์ หรือยาฆ่าแมลง การใช้สารเหล่านี้ หรือการปล่อยให้เครื่องสัมผัสกับยางหรือ พลาสติกไว้นานเป็นระยะเวลานานอาจจะทำให้ผิว หน้าจอหรือตัวเครื่องเสียหายได้
- หมั่นดูดฝุ่นที่ช่องระบายอากาศเพื่อให้อากาศไหลเวียน ได้อย่างเหมาะสม
- ขณะทำการปรับตำแหน่งของเครื่องทีวี ให้เลื่อนตัวเครื่องช้าๆ เพื่อป้องกันไม่ให้เครื่องทีวีเลื่อนหรือตกจากขาตั้ง

อุปกรณ์เสริม

จัดให้อุปกรณ์เสริมหรืออุปกรณ์ใดๆ ที่ปล่อยสนามแม่เหล็กไฟฟ้าออกมาอยู่ห่างจากเครื่องทีวี มิฉะนั้น ภาพอาจจะบิดรูปและ/หรือมีเสียงรบกวนได้

ฟังก์ชันไร้สายของเครื่อง

- อย่าใช้งานเครื่องนี้ใกล้อุปกรณ์ทางการแพทย์ (เครื่องกระตุ้นกล้ามเนื้อหัวใจ ฯลฯ) เพราะอาจส่งผลให้เกิดความผิดปกติกับอุปกรณ์ทางการแพทย์ได้
- ถึงแม้ว่าเครื่องนี้สามารถส่ง/รับสัญญาณที่ผ่านการเข้ารหัสได้ แต่ท่านยังต้องระวังการลักลอบสกัดข้อมูลโดยไม่มีอำนาจด้วย เราไม่สามารถรับผิดชอบต่อปัญหาใด ๆ ที่อาจเกิดขึ้นตามมาได้

(ข้อควรระวังเกี่ยวกับการใช้งาน รีโมทคอนโทรล)

หมายเหตุ

- ตรวจสอบขั้วแบตเตอรี่ให้ถูกต้องขณะใส่แบตเตอรี่
- อย่าใช้แบตเตอรี่ต่างชนิดหรือแบตเตอรี่เก่า และใหม่ผสมกัน
- ถ้าจัดแบตเตอรี่โดยใช้วิธีการที่เป็นมิตรต่อสิ่งแวดล้อม บางท้องที่อาจกำหนดกฎควบคุมการทิ้งแบตเตอรี่ กรุณาปรึกษาเจ้าหน้าที่ในท้องที่ของท่าน
- ใช้งานรีโมทด้วยความระมัดระวัง อย่าทำตกหรือเหยียบทับ หรือทำของเหลวใด ๆ หลกร
- อย่าวางรีโมทในที่ใกล้แหล่งกำเนิดความร้อน สถานที่ที่ถูกแสงแดดส่องถึงโดยตรง หรือในห้องที่ชื้น

Instructions about “Installing Wall Mount Bracket” are included within this TV’s instructions manual.

คู่มือการติดตั้งอุปกรณ์ยึดติดผนังไม่ได้จัดพิมพ์อยู่ในรูปเอกสารเพิ่มเติม สามารถดูวิธีการติดตั้งอุปกรณ์ดังกล่าวได้ในคู่มือโทรทัศน์เล่มนี้



Customer Support:

<http://www.sony-asia.com/support>

<http://www.sony.net/>

