

SONY®

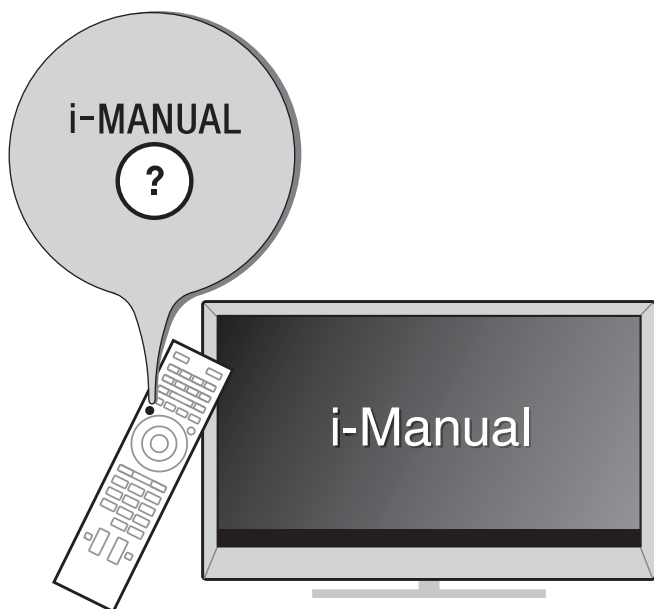
LCD TV

Operating Instructions

GB

Mode d'emploi

FR



BRAVIA

KDL-42W674A / 42W670A / 42W658A / 42W654A / 42W650A / 32W674A / 32W670A / 32W658A
KDL-32W654A / 32W650A / 32W600A

Introduction

Thank you for choosing this Sony product. Before operating the TV, please read this manual thoroughly and retain it for future reference.



- Instructions about "Installing Wall-Mount Bracket" are included within this TV's instructions manual.
- The illustrations used in this manual may differ depending on your TV model.
- The illustrations of the remote control used in this manual are of the RM-GD027 unless otherwise stated.
- Before operating the TV, please read page 29 (Safety Information). Retain this manual for future reference.

Trademark information

The terms HDMI and HDMI High-Definition Multimedia Interface, and the HDMI Logo are trademarks or registered trademarks of HDMI Licensing LLC in the United States and other countries.

DLNA®, the DLNA Logo and DLNA CERTIFIED® are trademarks, service marks, or certification marks of the Digital Living Network Alliance.

Manufactured under license from Dolby Laboratories.

"BRAVIA" and BRAVIA are trademarks of Sony Corporation. TrackID is a trademark or registered trademark of Sony Mobile Communications AB.

Music and video recognition technology and related data are provided by Gracenote®. Gracenote is the industry standard in music recognition technology and related content delivery. For more information, please visit www.gracenote.com.

CD, DVD, Blu-ray Disc, and music and video-related data from Gracenote, Inc., copyright © 2000-present Gracenote. Gracenote Software, copyright © 2000-present Gracenote. One or more patents owned by Gracenote apply to this product and service. See the Gracenote website for a non-exhaustive list of applicable Gracenote patents.

Gracenote, MusicID, VideoID, Video Explore, the Gracenote logo and logotype, and the "Powered by Gracenote" logo are either registered trademarks or trademarks of Gracenote in the United States and/or other countries.

Opera® Devices SDK from Opera Software ASA. Copyright 1995-2013 Opera Software ASA. All rights reserved.

Wi-Fi, Wi-Fi Direct and Miracast are marks or registered marks of the Wi-Fi Alliance.

"Blu-ray Disc", "Blu-ray" and "Blu-ray Disc" logo are trademarks of Blu-ray Disc Association.

"Sony Entertainment Network logo" and "Sony Entertainment Network" are trademarks of Sony Corporation.

MHL, Mobile High-Definition Link and the MHL Logo are trademarks or registered trademarks of MHL Licensing, LLC.

Manufactured under license from DTS Licensing Limited. For U.S. and worldwide patent and trademark information, see www.dts.com/patents/legacy.aspx.

(c) DTS Licensing Limited and DTS, Inc. 2012.

HDMI™
HIGH-DEFINITION MULTIMEDIA INTERFACE



Location of the identification label

Labels for TV Model No. and Power Supply rating (in accordance with applicable safety regulation) are located on the rear of the TV. Labels for AC adapter Model No. and Serial No. are located at the bottom of AC adapter.

About this manual

(Operating Instructions)

This manual explains how to set up your TV. For more information on how to use BRAVIA TV, refer to the “Electronic manual”.

Operating Instructions

Explains how to set up your TV such as connections, initial set-up, and basic operations.

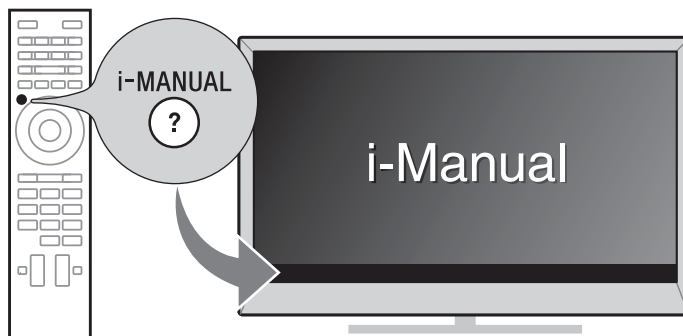


For more information, press the **i-MANUAL** button



Electronic manual (i-Manual)

Explains how to use all the features. See page 19 on how to use the i-Manual.



Images and illustrations used in this manual may differ from the actual screen.

Table of Contents

Getting Started

Checking the accessories.....	6
Inserting batteries into the remote control.....	6
1: Attaching the Table-Top Stand	7
2: Connections	8
3: Preventing the TV from toppling over.....	10
4: Bundling the cables	11
5: Connecting the TV to the Internet.....	11
6: Performing the initial set-up.....	12

GB

Using Your BRAVIA TV

Watching TV ▶	14
Selecting various functions and settings (Home Menu).....	16
Watching Internet Video	18

Looking for Instructions

Looking for instructions in the electronic manual (i-Manual) ▶	19
---	-----------

Additional Information

Troubleshooting.....	21
Specifications.....	22
Installing the Accessories (Wall-Mount Bracket).....	24
Safety Information.....	29
Precautions.....	32

Checking the accessories

Remote control (1)

Size AAA batteries (R03 type) (2)

AC power cord (mains lead) (1)

AC adapter (1)

Cable holder (1)

Table-Top Stand (1)*

Fixing screws for Table-Top Stand

(M5 x 16) (2)

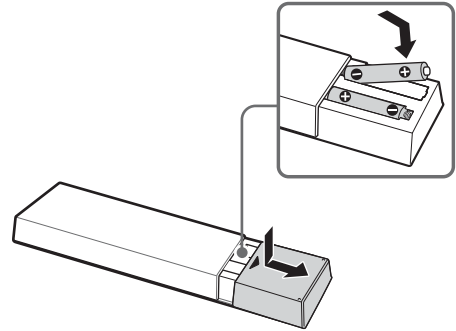
Assembling screws for Table-Top Stand

(M5 x 16) (2)

Operating Instructions (this manual), other documents and Wall-Mount Bracket accessories

* Refer to the supplied Table-Top Stand leaflet to assemble the Table-Top Stand.

Inserting batteries into the remote control

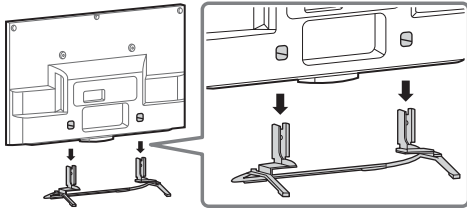



- 1** Remove the protection sheet.
- 2** Push and slide the cover to open.

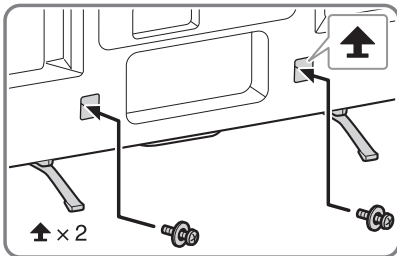
1: Attaching the Table-Top Stand


Refer to the supplied Table-Top Stand leaflet for proper attachment.


1 Place the TV set on the Table-Top Stand.

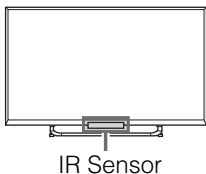


2 Fix the TV to the Table-Top Stand using the supplied screws. The arrow marks  indicate the location of the screw holes used for securing the Table-Top Stand.



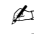
-  If using an electric screwdriver, set the torque at approximately 1.5 N·m {15 kgf·cm}.

-  Ensure that there are no objects in front of the TV.

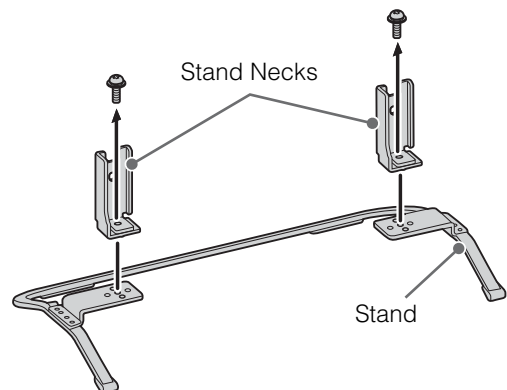
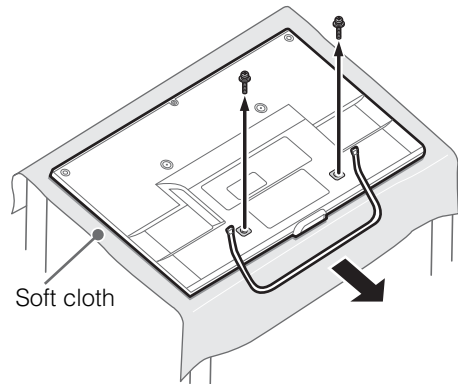


Detaching the Table-Top Stand from the TV

To detach the Table-Top Stand from the TV, remove the screws  fixed in step 2.

-  Do not remove the Table-Top Stand for any reason other than to install corresponding accessories on the TV.
- When removing the Table-Top Stand from the TV, lay the display face down on a stable work surface that is larger than the TV.
- To prevent damaging the surface of the LCD display, make sure to place a soft cloth on the work surface.
- Once the Stand Necks are detached from the Stand, be sure to keep the Stand Necks and screws in a safe place.

GB



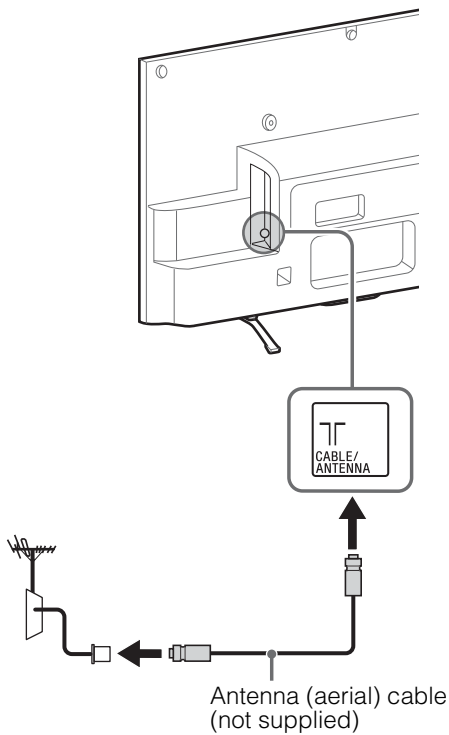
2: Connections



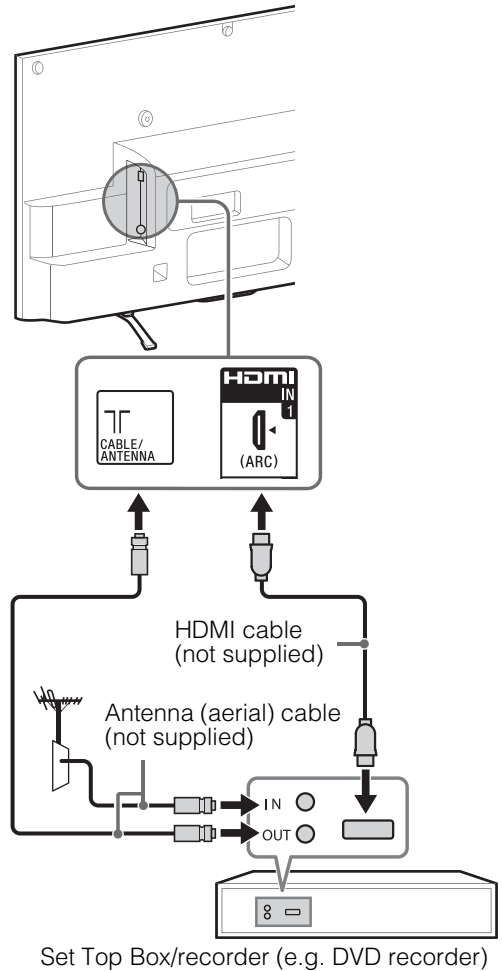
- Use an antenna (aerial) cable connector no greater than 14 mm in thickness.
- Use an HDMI cable connector within 12 mm (thickness) × 21 mm (width).
- For more information on connections, refer to the i-Manual.

Connecting an antenna (aerial)/cable/VCR

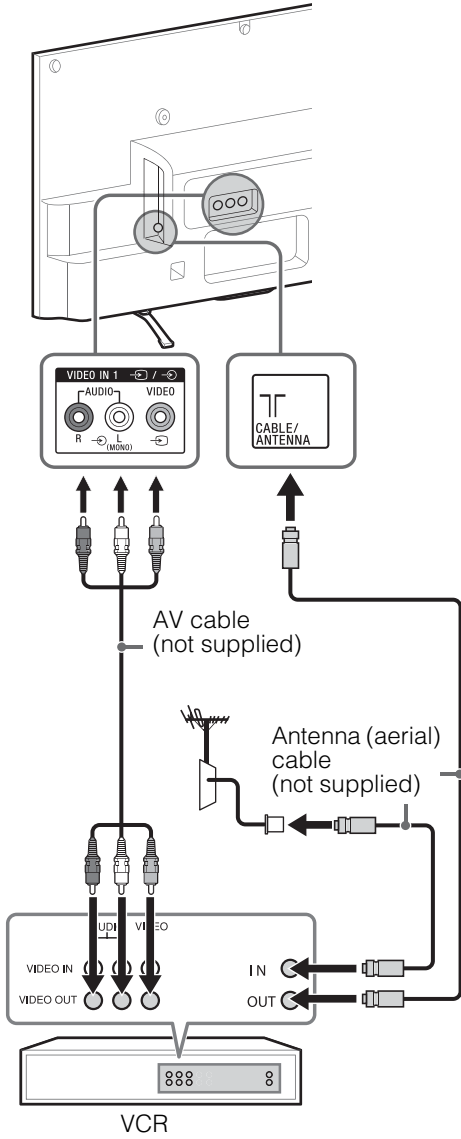
■ To connect an antenna (aerial)/cable



■ To connect a Set Top Box/recorder (e.g. DVD recorder) with HDMI

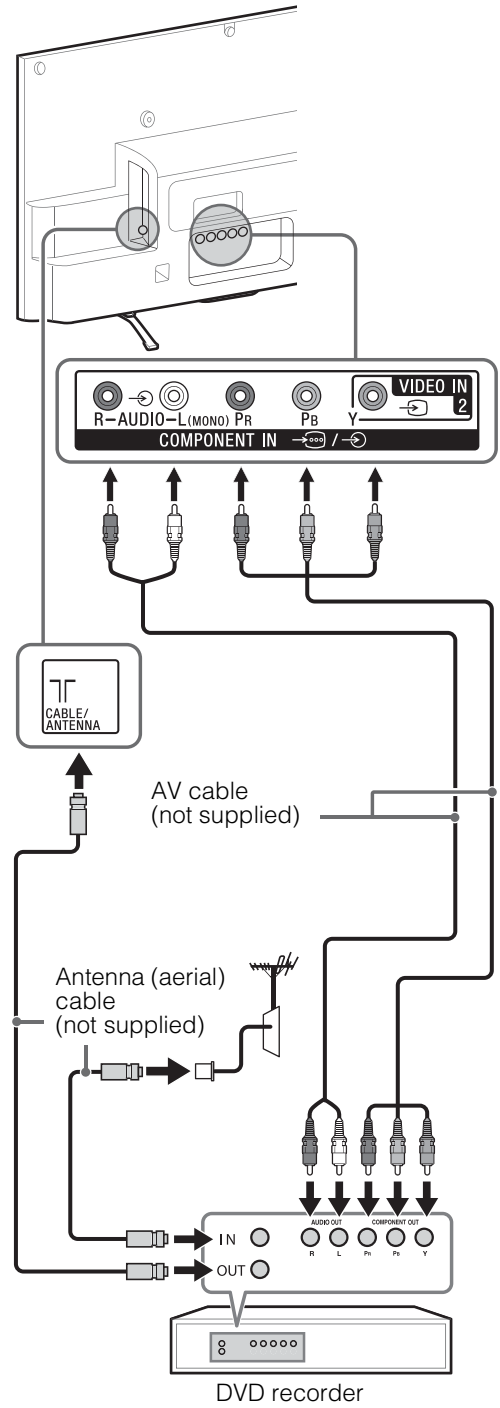


■ Connecting an antenna (aerial)/cable and VCR

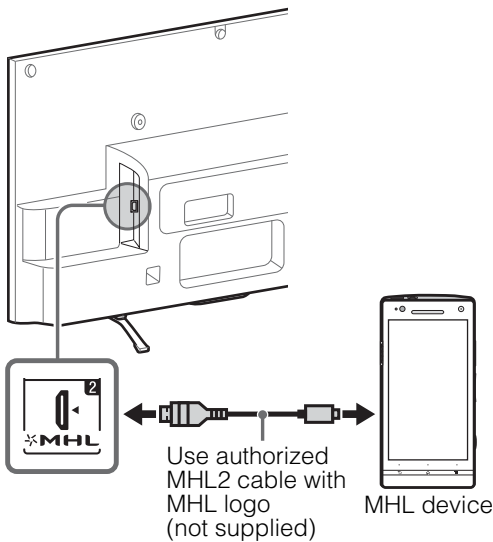


Connecting audio/video devices

GB



Connecting MHL device

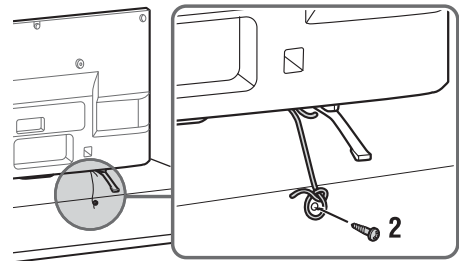
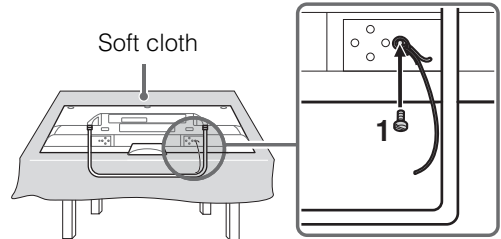


The MHL (Mobile High-Definition Link) enables the TV to communicate with a connected MHL-compatible device. The TV can charge the connected MHL-compatible device while playing photo/music/video from it. You can use the TV remote control to control the connected MHL-compatible device.



- If “Auto Input Change (MHL)” is set to “On”, the TV automatically switches to HDMI IN 2/MHL from other input when MHL-compatible device is connected to HDMI IN 2/MHL jack. The availability of “Auto Input Change (MHL)” depends on whether the MHL-compatible device can support this feature.
- You can continue normal usage of the connected MHL-compatible device (such as receiving calls) depending on its capability.
- Some remote control functions may not be available depending on features of the connected MHL-compatible device. Please refer to the device manual for details.
- If “MHL Charging during Standby” is set to “On”, you can continue charging the MHL-compatible device even when the TV is in standby mode.
- This product is officially MHL-certified for operation with other MHL-certified devices. If you encounter any problems when using the MHL function, please consult the device manufacturer for support.

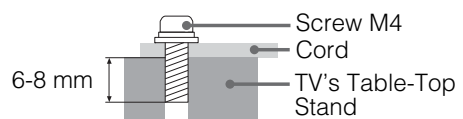
3: Preventing the TV from toppling over



- Before install the machine screw, lay the display face down on a stable work surface that is larger than the TV.
- To prevent damaging the surface of the LCD display, make sure to place a soft cloth on the work surface.

- 1 Install a machine screw (M4, not supplied) into the screw hole of the TV and tie with a strong cord (not supplied).
- 2 Install a wood screw (not supplied) in the TV stand. Then, tie the strong cord to the wood screw.

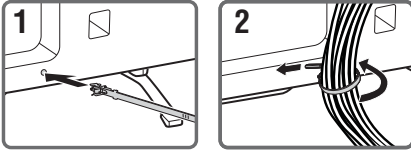
The length of the M4 machine screw differs depending on the cord diameter. Please see below illustration.



4: Bundling the cables



- Do not bundle the AC power cord (mains lead) together with other cables.



5: Connecting the TV to the Internet

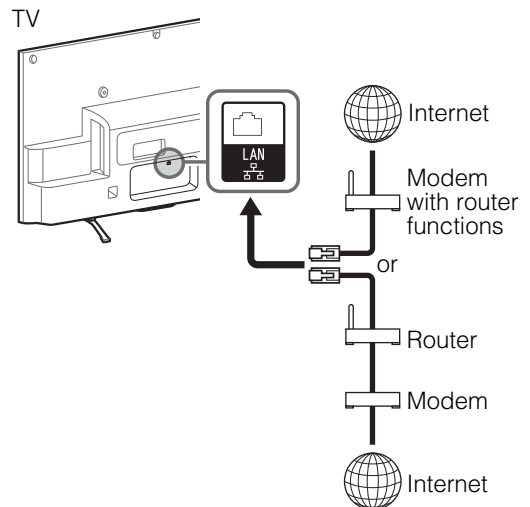
When you connect this TV to the Internet, you can enjoy multiple functions. For details on the functions, refer to the i-Manual.

GB



- You will need to contract with an Internet service provider to connect to the Internet.

Preparing a wired network

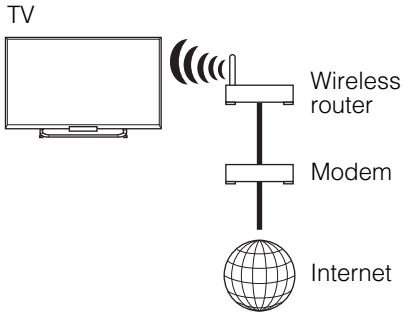


- For LAN connections, use a Category 7 cable (not supplied).

Preparing a wireless LAN

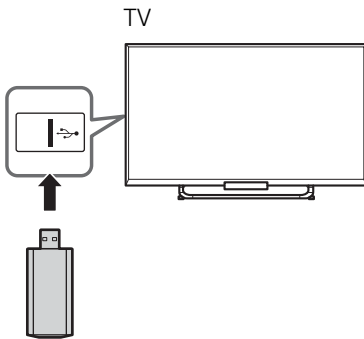
KDL-42/32W674A, KDL-42/32W670A

The built-in wireless LAN device allows you to access the Internet and your home network. With this feature, you can connect to a wireless LAN and enjoy the benefits of networking in a cable-free environment.



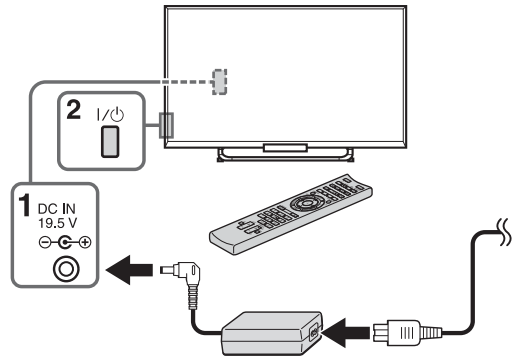
Except KDL-42/32W674A, KDL-42/32W670A

Wireless LAN Ready lets you easily access the Internet and your home network with the USB Wireless LAN Adapter UWA-BR100. By inserting the USB Wireless LAN Adapter into your TV's USB port, you can easily create a cable-free network.



Before setting up the wireless LAN function of the TV, be sure to set up a wireless LAN router.

6: Performing the initial set-up

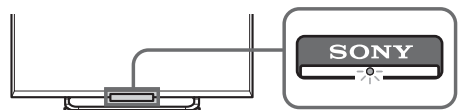


- 1 Connect the AC power cord (mains lead) to the AC adapter and plug the DC cable into the DC IN terminal. Then, connect the TV to your AC power outlet (mains socket).

- 2 Press **I/O** on the TV. The illumination LED will light up in white. When you switch on the TV for the first time, the Language menu appears on the screen.



- When you turn on the TV for the first time, the TV requires some internal processing for optimisation before you can perform the initial setup. There will be no picture and sound, and the illumination LED on the front of the TV blinks white for about 40 seconds. Do not turn off the TV during this process. This process has been completed at the factory for some TVs.
- The illumination LED lights up in different colours according to the status of the TV. If you do not wish to light up the illumination LED, you can turn it off later. Press **HOME**, then select "Settings" → "System Settings" → "General Set-up" → "Illumination LED" → "Off". You can also press **OPTIONS**, then select "Illumination LED" → "Off".



- 3** Press **▲/▼/◀/▶** to select an item, then press **⊕**.

Follow the instructions on the screen.



GB

Programme Sorting: Changes the order of analogue channels stored in the TV.

- 1** Press **▲/▼** to select the channel you want to move to a new position, then press **⊕**.
- 2** Press **▲/▼** to select the new position for the channel, then press **⊕**.



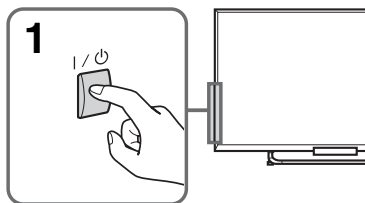
- You can also tune channels manually.

Network Set-up: Sets up the Internet settings. If you do not access the Internet, or to set up later, select "Skip". After you select "Continue" or "Start" (depending on model) at the Internet setup confirmation screen, select "Auto" to connect to the network automatically. Select "Custom" to connect manually.



- If you use WEP security, select "Custom" → "Wireless Set-up" → "Scan". Then, select the network name (SSID) you want to connect. If you cannot find the required network name, select "[Manual Entry]" and press **⊕** to enter network name.
- To set "Network Set-up" later, press **HOME**, then select "Settings" → "Network" → "Network Set-up".
- Use the optional USB Wireless LAN Adapter to connect with your wireless router (or access point) at 5GHz. Insert USB Wireless LAN Adapter and set "Wi-Fi Direct" to "Off". Press **HOME**, then select "Settings" → "Network" → "Wi-Fi Direct" → "Off".

Watching TV



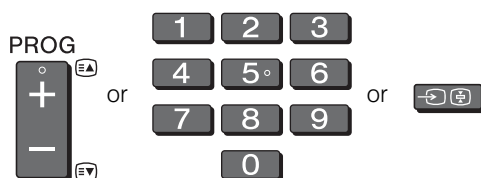
1 Turn on the TV.

Press **I/⏻** on the TV or remote control to turn on the TV.

2 Select a mode.



3 Select a TV channel or select an input.



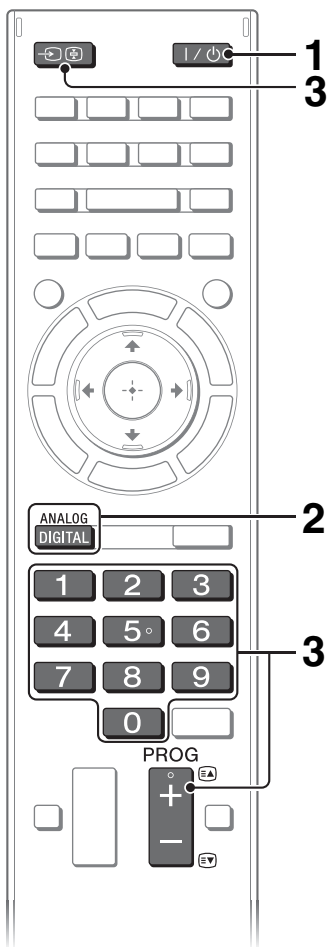
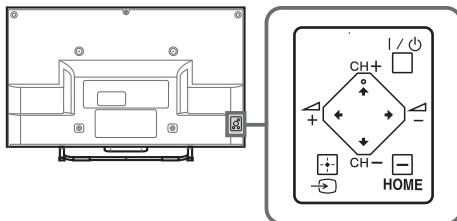
■ To select digital channels

Use **0-9**. For channel numbers 10 and above, press the next digit quickly.

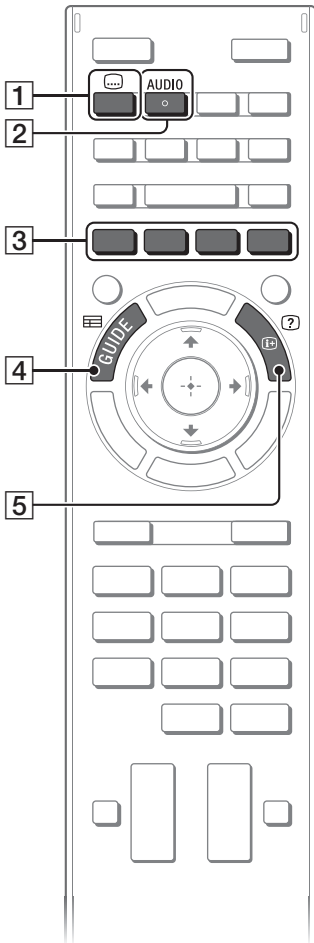


- See below illustration for location of the **I/⏻**, **CH+/-**, **▲+/-**, **▲/▼/◀/▶**, **→**, **+** and **HOME** buttons on the TV.

Rear of TV



Frequently used buttons



1 **Subtitle setting**

You can turn subtitle on/off while watching digital broadcasting.

2 **AUDIO**

You can select the sub sound or secondary language while watching multiplex broadcasts.

3 **Colour buttons**

When the colour buttons are available, an operation guide appears on the screen.

4 **GUIDE**

Displays the digital programme guide.

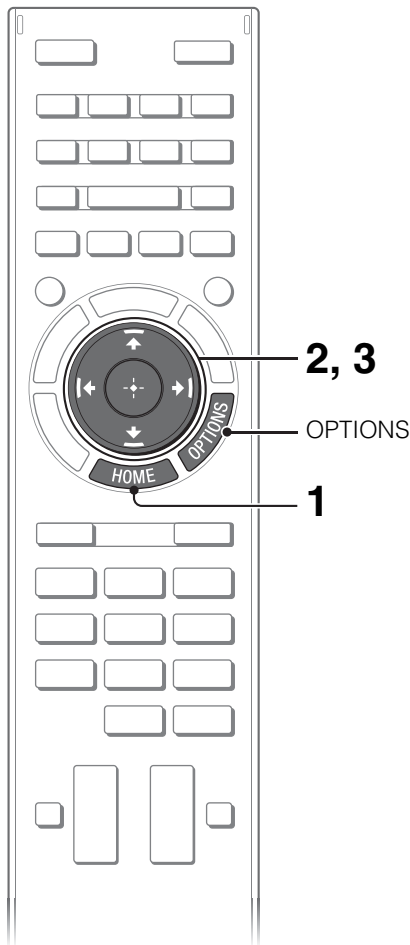
5 **Info/Text reveal**

Displays channel number, details of programmes, and the clock.

GB

Selecting various functions and settings (Home Menu)

You can select the features of your TV from the Home menu.



Here is an example on how to select an item and modify the TV settings.

1 Press HOME.



2 Press \uparrow/\downarrow to select "Settings" category.

The contents of "Settings" are displayed horizontally.



See page 17 (Category list) for all categories.

3 Press \leftarrow/\rightarrow to select a desired setting item, then press \oplus .

4 Modify the settings.

■ To exit the Home menu

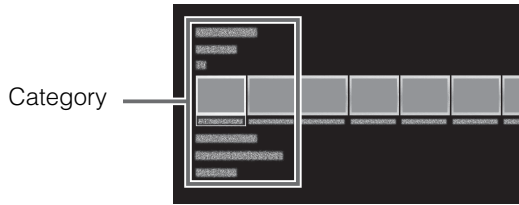
Press HOME.

■ To select using the OPTIONS button

Press OPTIONS.

A list of convenient functions and menu shortcuts are displayed. The menu items vary based on the current input and/or content.

Category list



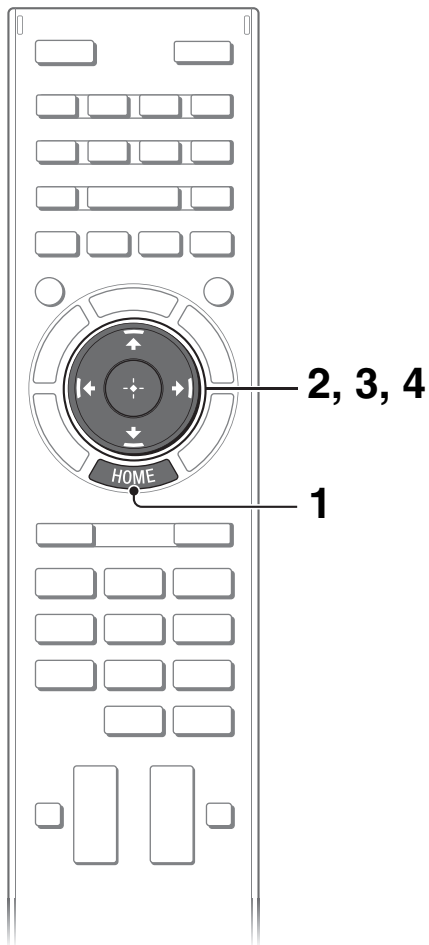
The categories are available depending on your TV model, region and country.

GB

Featured	Provides information on available applications and content. If there is no network connection, or the “Featured Display” setting is set to “Off”, the “Featured” category will not be displayed.
History	Displays recently viewed items.
TV	Allows you to select a list of TV channels, or a programme guide. Programme guide is available depending on your TV model or region. A list of channels registered as favourites in the “TV” category are displayed.
Applications	Launches applications that require an Internet connection, including Media Player which does not require an Internet connection. A list of applications registered as favourites in the “Applications” category are displayed.
Connected Devices	Enables selection of devices connected to the TV.
Settings	Provides settings (e.g. picture settings, sound settings, key tone setting) that allow you to customise your TV.

Watching Internet Video

This feature serves as a gateway to Internet content, delivering a variety of on-demand entertainment straight to your TV. You can enjoy video content, including movies and cartoons. You will need to make a broadband Internet connection. For details, see page 11 (5: Connecting the TV to the Internet).



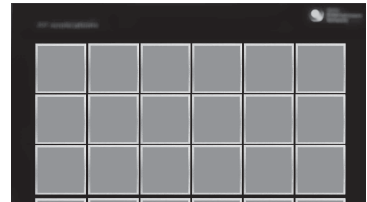
1 Press HOME.



2 Press \uparrow/\downarrow to select “Applications” category.

3 Press \leftarrow/\rightarrow to select “All Applications”, then press \oplus .

4 Press $\uparrow/\downarrow/\leftarrow/\rightarrow$ to select the desired service, then press \oplus .



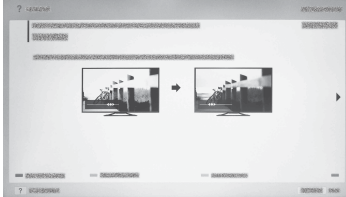
- If you experience difficulties with this feature, check that the Internet connection is set up properly.
- The interface to Internet content depends on the Internet content providers.
- Services block video content based on the “Parental Lock” setting of the TV. Some service providers do not support this function.
- To update Internet Video content services, press **HOME**, then select “Settings” → “Network” → “Refresh Internet Content”.

Saving frequently viewed pages (Bookmark)

You can save frequently viewed pages for easy access anytime.

■ To save a page

In the page to bookmark, press the yellow button on the remote control.



■ To access the bookmarked page

When displaying the i-Manual, press the green button on the remote control to display the bookmark list.

Press ▲/▼ to select the desired item, then press ⊕.



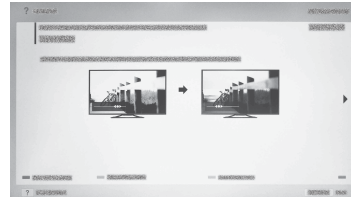
- To return to the previous screen, press **RETURN**.

■ To remove a bookmark

When the bookmarked page is displayed, press the yellow button on the remote control.

Displaying the page again while operating the TV

You can switch between the i-Manual screen and the TV screen. This feature allows you to refer to the instructions in the i-Manual while using your BRAVIA TV. Press **i-MANUAL** to switch between the i-Manual screen previously displayed and the TV screen.



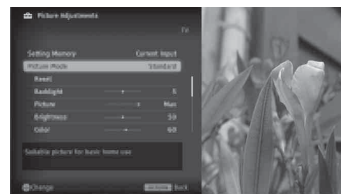
i-Manual screen previously displayed



i-MANUAL
?



BRAVIA TV screen



- To jump to the top page of i-Manual, press the red button on the remote control. You can also press **HOME**, then select “Settings” → “i-Manual” to jump to the top page of i-Manual.
- Once you turn off the TV or the TV goes to standby mode, the i-Manual will be displayed from the top page when you select “i-Manual”.

Troubleshooting

When the illumination LED is flashing in red, count how many times it flashes (interval time is three seconds).

Press **I/⏻** on the TV to turn it off, disconnect the AC power cord (mains lead), and inform your dealer or Sony service centre of how the indicator flashes (number of flashes).






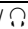


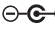
When the illumination LED is not flashing, check the items in the tables as follows.

Also refer to “Troubleshooting” in the i-Manual. If the problem persists, have your TV serviced by qualified service personnel.

GB

Condition	Explanation/Solution
There is no picture (screen is dark) and no sound.	<ul style="list-style-type: none">• Check the antenna (aerial)/cable connection.• Connect the TV to the AC power (mains), and press I/⏻ on the TV or remote control.
Some programmes cannot be tuned.	<ul style="list-style-type: none">• Check the antenna (aerial).
The remote control does not function.	<ul style="list-style-type: none">• Replace the batteries.• Your TV may be in SYNC mode. Press SYNC MENU, select “TV Control” and then select “Home (Menu)” or “Options” to control the TV.
The “Parental Lock” password has been forgotten.	<ul style="list-style-type: none">• Enter 9999 for the PIN code. (PIN code 9999 is always accepted.)
The TV surrounds become warm.	<ul style="list-style-type: none">• When the TV is used for an extended period, the TV surrounds become warm. You may feel hot when touching there by the hand.
Frozen audio or video, a blank screen, or the TV does not respond to TV or remote control buttons.	<ul style="list-style-type: none">• Perform a simple reset of the TV by unplugging the AC power cord (mains lead) for two minutes, then plug it in again.

Specifications

System	
Panel system	LCD (Liquid Crystal Display) Panel
TV system	Analogue: B/G, I, D/K, M, L Digital: DVB-T2 (Depending on your TV model) DVB-T
Colour/video system	Analogue: PAL, SECAM, NTSC3.58, NTSC4.43 Digital: Refer to the i-Manual
Channel coverage	Analogue: UHF/VHF/Cable, Depending on your country/area selection. Digital: UHF/VHF, Depending on your country/area selection.
Sound output	8 W + 8 W (KDL-42W674A/42W670A/42W654A/42W650A) 5 W + 5 W (KDL-32W674A/32W670A/32W654A/32W650A/32W600A)
Input/Output jacks	
Antenna (aerial)/cable	75 ohm external terminal for VHF/UHF
 VIDEO IN 1	Video/Audio input (phono jacks)
 COMPONENT IN	YPbPr (Component Video): 1080p (50, 60Hz), 1080i (50, 60Hz), 720p (50, 60Hz), 576p, 576i, 480p, 480i
 VIDEO IN 2	Audio input (phono jacks) Video input (common phono pin with Y input)
HDMI IN 1, 2	Video: 1080p (30, 50, 60Hz), 1080/24p, 1080i (50, 60Hz), 720p (30, 50, 60Hz), 720/24p, 576p, 576i, 480p, 480i, PC Formats Audio: Two channel linear PCM: 32, 44.1 and 48kHz, 16, 20 and 24 bits, Dolby Digital ARC (Audio Return Channel) (HDMI IN 1 only)
MHL (common with HDMI IN 2)	Video: 1080p (30Hz), 1080/24p, 1080i (50, 60Hz), 720p (30, 50, 60Hz), 720/24p, 576p, 576i, 480p, 480i Audio: Two channel linear PCM: 32, 44.1 and 48kHz, 16, 20 and 24 bits, Dolby Digital
 DIGITAL AUDIO OUT (OPTICAL)	Digital optical jack (Two channel linear PCM, Dolby Digital)
 AUDIO OUT/ 	Audio output (stereo minijack) Headphones jack
	USB port (Only Australia and New Zealand model support HDD Rec)
 LAN	10BASE-T/100BASE-TX connector (Depending on the operating environment of the network, connection speed may differ. 10BASE-T/100BASE-TX communication rate and communication quality are not guaranteed for this TV.)
 DC IN 19.5 V	AC adapter input
Others	
Supplied accessories	See "Checking the accessories" (page 6).
Optional accessories	Camera and Microphone Unit: CMU-BR200/CMU-BR100 USB Wireless LAN Adapter: UWA-BR100
Operating temperature	0 °C - 40 °C
Operating humidity	10% - 80% RH (non-condensing)

Model name KDL-	42W674A 42W670A 42W654A 42W650A	32W674A 32W670A 32W654A 32W650A	32W600A
Power and others			
Power Requirements	19.5 V DC with AC adapter Rating: Input 110 V - 240 V AC, 50/60 Hz		
Screen size (measured diagonally)	Approx. 106.7cm/42 inches	Approx. 80.1cm/32 inches	Approx. 80.0cm/32 inches
Display resolution	1,920 dots (horizontal) × 1,080 lines (vertical)	1,920 dots (horizontal) × 1,080 lines (vertical)	1,366 dots (horizontal) × 768 lines (vertical)
Power consumption	84 W (when using the AC adapter)	67 W (when using the AC adapter)	67 W (when using the AC adapter)
Dimensions (Approx.) (w × h × d)			
With Table-Top Stand (mm)	954 × 595 × 197	725 × 465 × 197	721 × 463 × 197
Without Table-Top Stand (mm)	954 × 568 × 69	725 × 438 × 69	721 × 436 × 69
Mass (Approx.)			
With Table-Top Stand (kg)	11.0	7.8	7.7
Without Table-Top Stand (kg)	9.9	6.8	6.7

Optional accessories availability depends on countries/region/TV model/stock.
Design and specifications are subject to change without notice.

Installing the Accessories (Wall-Mount Bracket)

To Customers

Sufficient expertise is required for installing this product. Be sure to subcontract the installation to Sony dealers or licensed contractors and pay special attention to safety during the installation. Sony is not liable for any damages or injury caused by mishandling or improper installation, or installing any other than the specified product. Your Statutory Rights (if any) are not affected.

To Sony Dealers and Contractors

Sufficient expertise is required for installing this product. Be sure to read this instruction manual thoroughly to do the installation work safely. Sony is not liable for any damages or injury caused by mishandling or improper installation. Please give this manual to the customer after installation.

Your TV's Table-Top Stand will be used as a part of the Wall-Mount Bracket.

- See page 29 (Safety Information) and page 32 (Precautions) on WALL-MOUNT BRACKET before carrying out Wall-Mount Bracket installation.

Precautions

- Detach the Table-Top Stand from the TV. For details, see page 7 (Detaching the Table-Top Stand from the TV)
- When your TV is installed on the wall, the VIDEO IN 1 \rightarrow terminal on the rear of the TV cannot be used.

Checking the accessories

Wall-Mount Base (1)

AC Adapter Holder (1)

Paper Template (1)

Stand Protector (1)

Bracket Cap Plate (1)

Assembling screws for Wall-Mount Bracket

(+PSW 6 x 12) (2)

Spacers (2)

Fixing screw for Bracket Cap Plate

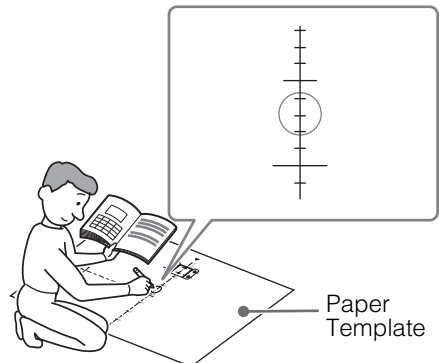
(+PSW 4 x 10) (1)



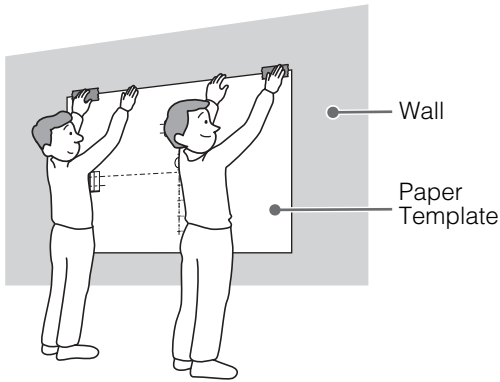
- The screws needed to secure the Wall-Mount Base and AC Adapter Holder to the wall are not supplied.

Installing the Brackets on the wall

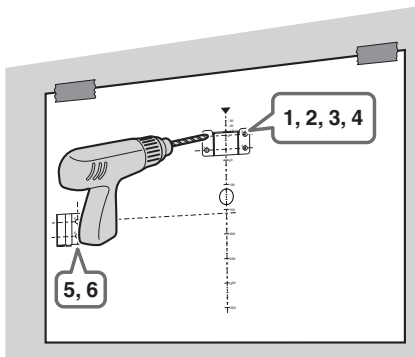
- 1 Decide on the centre position of your TV. Make a mark on the Paper Template that indicates the screen centre of your TV, referring to page 28 (TV installation dimensions table) for the screen centre dimension.



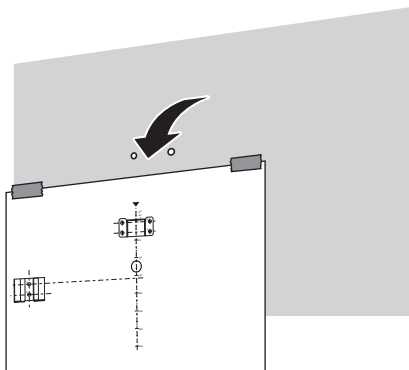
- 2** Decide on the installation location of your TV. Tape the Paper Template to the wall.



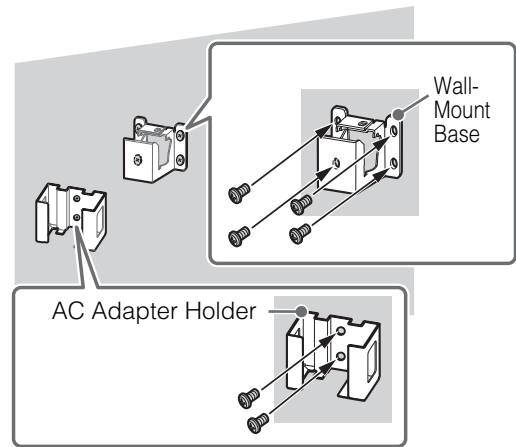
- 3** Make six holes according to the numbering (1, 2, 3, 4, 5 and 6) on the Paper Template using an electric drill.



- 4** Peel the Paper Template from the wall.



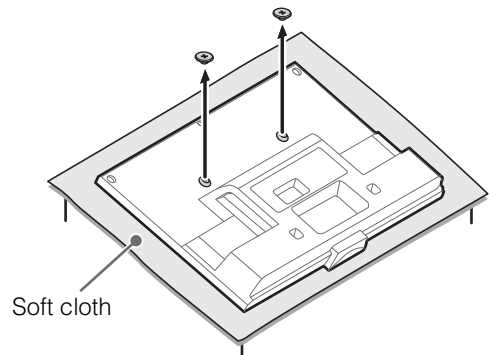
- 5** Install screws (8 mm in diameter, not supplied) to the Wall-Mount Base and AC Adapter Holder on the wall.



GB

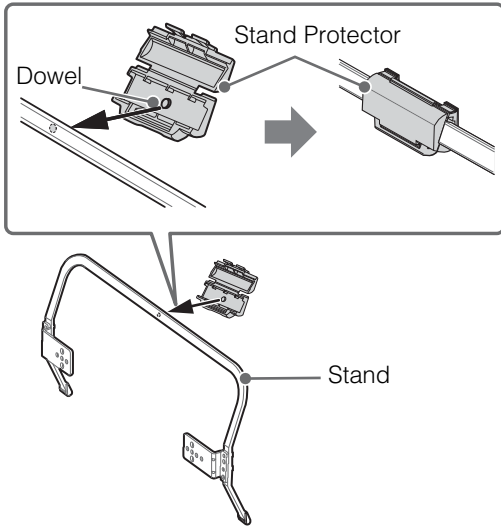
Preparing for the installation of the TV

- 1** Remove the screws from the rear of the TV. Be sure to store the removed screws in a safe place, keeping them away from children.

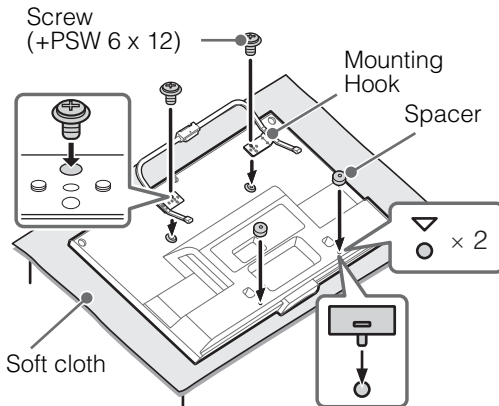


- When removing the Table-Top Stand from the TV, lay the display face down on a stable work surface that is larger than the TV.
- To prevent damaging the surface of the LCD display, make sure to place a soft cloth on the work surface.
- Once the Stand Necks are detached from the Stand, be sure to keep the Stand Necks and screws in a safe place.
- When attaching the Table-Top Stand again, be sure to fasten the screws (previously removed) to the original holes on the rear of the TV.

- 2** Make sure the dowel (on the Stand Protector) is inserted into the hole on the Stand. Fold up the Stand Protector once the dowel is inserted into the Stand.

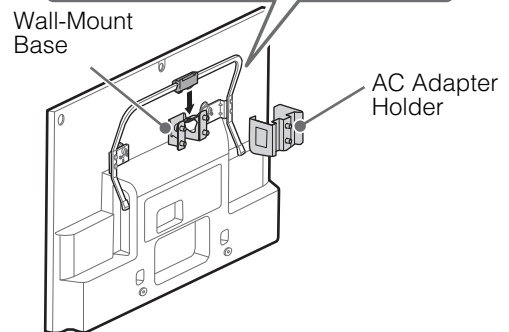
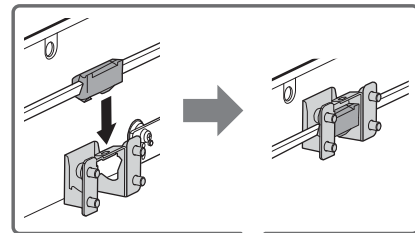
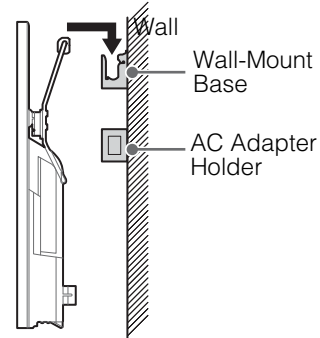


- 3** Attach the Mounting Hooks (on the Stand) using the supplied screws. Attach the Spacers to the holes indicated by the triangle marks ▽.



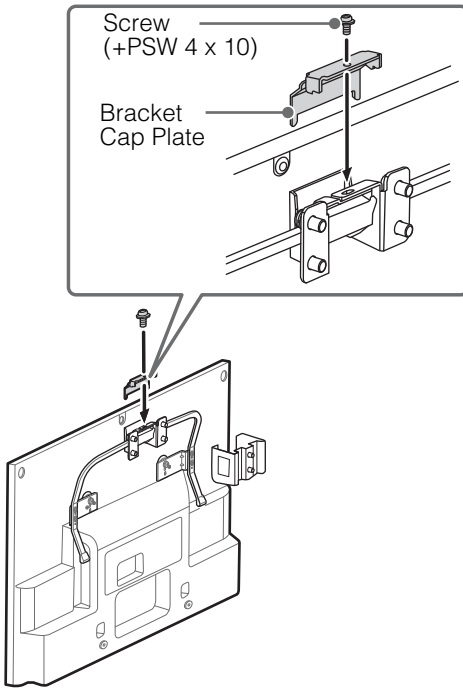
Installing the TV on the wall

- 1** Install the TV on the wall. Then, confirm the Stand Protector is firmly latched into the Wall-Mount Base.



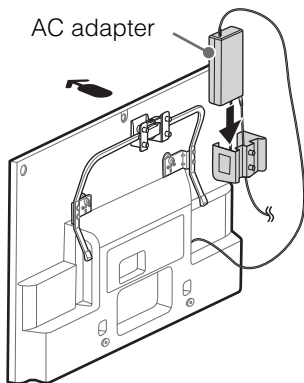
- Make sure to connect and bundle the cables before installing the TV on the wall.

- 2** Attach the Bracket Cap Plate using the supplied screw.



GB

- 3** Insert the AC adapter into the AC Adapter Holder. Make sure that the label is facing outwards.

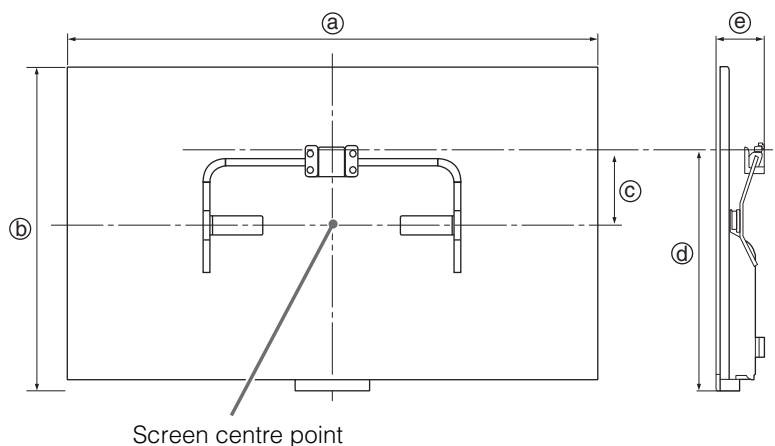


← Arrow direction shows front of the TV.



- Tilt the TV to the front to easily insert the AC adapter, and connect or disconnect the cord and cables with the TV hung to the wall.

TV installation dimensions table



Unit: mm

Model Name KDL-	Display dimensions		Screen centre dimension	Length for mounting	
	a	b	c	d	e
42W674A/42W670A 42W654A/42W650A	954	568	124	419	87
32W674A/32W670A 32W654A/32W650A	725	438	190	419	87
32W600A	721	436	190	419	87

Figures in the table may differ slightly depending on the installation.

WARNING

The wall that the TV will be installed should be capable of supporting a weight of at least four times that of the TV. See page 22-23 (Specifications) for its weight.

Safety Information

WARNING

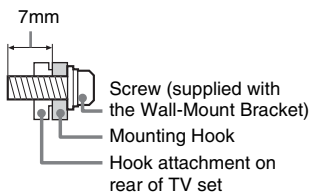
Batteries must not be exposed to excessive heat such as sunshine, fire or the like.

Installation/Set-up

Install and use the TV set in accordance with the instructions below in order to avoid any risk of fire, electrical shock or damage and/or injuries.

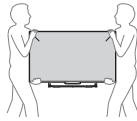
Installation

- The TV set should be installed near an easily accessible AC power outlet (mains socket).
- Place the TV set on a stable, level surface to avoid it from falling down and cause personal injury or damage to the TV.
- Only qualified service personnel should carry out wall installations.
- For safety reasons, it is strongly recommended that you use Sony accessories, including:
 - Wall-Mount Bracket
- Be sure to use the screws supplied with the Wall-Mount Bracket when attaching the mounting hooks to the TV set. The supplied screws are designed as indicated by illustration when measured from the attaching surface of the mounting hook. The diameter and length of the screws differ depending on the Wall-Mount Bracket model. Use of screws other than those supplied may result in internal damage to the TV set or cause it to fall, etc.



Transporting

- Before transporting the TV set, disconnect all cables.
- Two or three people are needed to transport a large TV set.
- When transporting the TV set by hand, hold it as shown below. Do not put stress on the LCD panel and the frame around the screen.

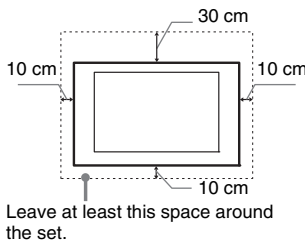


- When transporting the TV set, do not subject it to jolts or excessive vibration.
- When transporting the TV set for repairs or when moving, pack it using the original carton and packing material.

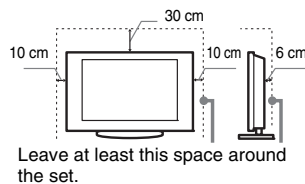
Ventilation

- Never cover the ventilation holes or insert anything in the cabinet.
- Leave space around the TV set as shown below.
- It is strongly recommended that you use a Sony wall-mount bracket in order to provide adequate air-circulation.

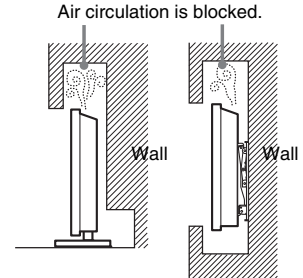
Installed on the wall



Installed with stand



- To ensure proper ventilation and prevent the collection of dirt or dust:
 - Do not lay the TV set flat, install upside down, backwards, or sideways.
 - Do not place the TV set on a shelf, rug, bed or in a closet.
 - Do not cover the TV set with a cloth, such as curtains, or items such as newspapers, etc.
 - Do not install the TV set as shown below.



AC power cord (mains lead)

Handle the AC power cord (mains lead) and outlet (mains socket) as follows in order to avoid any risk of fire, electrical shock or damage and/or injuries:

- Use only Sony supplied AC power cord (mains lead), not those of other brands.
- Insert the plug fully into the AC power outlet (mains socket).
- Operate the TV set on a 110–240 V AC supply only.
- When wiring cables, be sure to unplug the AC power cord (mains lead) for your safety and take care not to catch your feet on the cables.
- Disconnect the AC power cord (mains lead) from the AC power outlet (mains socket) before working on or moving the TV set.
- Keep the AC power cord (mains lead) away from heat sources.
- Unplug the AC power plug (mains plug) and clean it regularly. If the plug is covered with dust and it picks up moisture, its insulation may deteriorate, which could result in a fire.

GB

Notes

- Do not use the supplied AC power cord (mains lead) on any other equipment.
- Do not pinch, bend, or twist the AC power cord (mains lead) excessively. The core conductors may be exposed or broken.
- Do not modify the AC power cord (mains lead).
- Do not put anything heavy on the AC power cord (mains lead).
- Do not pull on the AC power cord (mains lead) itself when disconnecting the AC power cord (mains lead).
- Do not connect too many appliances to the same AC power outlet (mains socket).
- Do not use a poor fitting AC power outlet (mains socket).

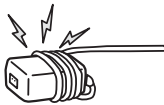
NOTE ON AC ADAPTER Warning

To reduce the risk of fire or electric shock, do not expose this apparatus to rain or moisture.

To prevent fire or shock hazard, do not place objects filled with liquids, such as vases, on the apparatus.

Do not install this equipment in a confined space, such as a bookshelf or similar unit.

- Please ensure that the AC power outlet (mains socket) is installed near the equipment and shall be easily accessible.
- Be sure to use the supplied AC adapter and AC power cord (mains lead). Otherwise it may cause a malfunction.
- Connect the AC adapter to an easily accessible AC power outlet (mains socket).
- Do not coil the AC power cord (mains lead) around the AC adapter. The core wire may be cut and/or it may cause a malfunction of the TV.
- Do not touch the AC adapter with wet hands.
- If you notice an abnormality in the AC adapter, disconnect it from the AC power outlet (mains socket) immediately.
- The set is not disconnected from the AC source as long as it is connected to the AC power outlet (mains socket), even if the set itself has been turned off.
- As the AC adapter will become warm when it is used for a long time, you may feel hot when touching it by hand.



Prohibited Usage

Do not install/use the TV set in locations, environments or situations such as those listed below, or the TV set may malfunction and cause a fire, electrical shock, damage and/or injuries.

Location:

- Outdoors (in direct sunlight), at the seashore, on a ship or other vessel, inside a vehicle, in medical institutions, unstable locations, near water, rain, moisture or smoke.
- If the TV is placed in the changing room of a public bath or hot spring, the TV may be damaged by airborne sulfur, etc.



- For best picture quality, do not expose the screen to direct illumination or sunlight.
- Avoid moving the TV from a cold area to a warm area. Sudden room temperature changes may cause moisture condensation. This may cause the TV to show poor picture and/or poor colour. Should this occur, allow moisture to evaporate completely before powering the TV on.
- Never spray water or detergent directly on the TV set. It may drip to the bottom of the screen or exterior parts and enter the TV set, and may cause damage to the TV set.

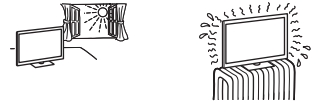


Environment:

- Places that are hot, humid, or excessively dusty; where insects may enter; where it might be exposed to mechanical vibration, near flammable objects (candles, etc). The TV set shall not be exposed to dripping or splashing and no objects filled with liquids, such as vases, shall be placed on the TV.
- Do not place the TV in a humid or dusty space, or in a room with oily smoke or steam (near cooking tables or humidifiers). Fire, electric shock, or warping may result.

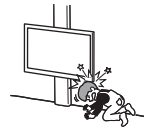


- Do not install the TV in places subject to extreme temperature, such as in direct sunlight, near a radiator or a heating vent. The TV may overheat in such conditions which can cause deformation of the enclosure and/or TV malfunction.



Situation:

- Do not use when your hands are wet, with the cabinet removed, or with attachments not recommended by the manufacturer. Disconnect the TV set from AC power outlet (mains socket) and antenna during lightning storms.
- Do not install the TV so that it sticks out into an open space. Injury or damage from a person or object bumping into the TV may result.



Broken pieces:

- Do not throw anything at the TV set. The screen glass may break by the impact and cause serious injury.
- If the surface of the TV set cracks, do not touch it until you have unplugged the AC power cord (mains lead). Otherwise electric shock may result.

When not in use

- If you will not be using the TV set for several days, the TV set should be disconnected from the AC power (mains) for environmental and safety reasons.
- As the TV set is not disconnected from the AC power (mains) when the TV set is just turned off, pull the plug from the AC power outlet (mains socket) to disconnect the TV set completely.
- However, some TV sets may have features that require the TV set to be left in standby to work correctly.

For children

- Do not allow children to climb on the TV set.
- Keep small accessories out of the reach of children, so that they are not mistakenly swallowed.

If the following problems occur...

Turn off the TV set and unplug the AC power cord (mains lead) immediately if any of the following problems occur.

Ask your dealer or Sony service centre to have it checked by qualified service personnel.

When:

- AC power cord (mains lead) is damaged.
- Poor fitting of AC power outlet (mains socket).
- TV set is damaged by being dropped, hit or having something thrown at it.
- Any liquid or solid object falls through openings in the cabinet.

About LCD Monitor Temperature

When the LCD Monitor is used for an extended period, the panel surrounds become warm. You may feel hot when touching there by the hand.

WALL-MOUNT BRACKET

Below information shows the correct handling of the Wall-Mount Bracket. Be sure to read this information thoroughly and use the Wall-Mount Bracket correctly.

To Customers:

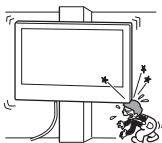
Be sure to observe the following precautions for safety to prevent a serious injury through fire, electric shock, the product toppling over, or the product dropping.

- Be sure to subcontract the installation to licensed contractors and keep small children away during installation.
- Be sure to subcontract moving or dismantling of the TV to licensed contractors.
- Do not remove screws, etc., after mounting the TV.
- Do not make alterations to the parts of the Wall-Mount Bracket.
- Do not mount any equipment other than the specified product.
- Do not apply any load other than the TV on the Wall-Mount Bracket.
- Do not lean on or hang from the TV.
- Do not handle the TV with excessive force during cleaning or maintenance.

To Sony Dealers and Contractors:

The following instructions are for Sony dealers and contractors only. Be sure to read safety precautions described below and pay special attention to safety during the installation, maintenance and checking of this product.

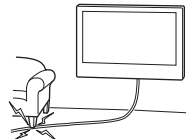
- Do not install the Wall-Mount Bracket on wall surfaces where the corners or the sides of the TV are protruding away from the wall surface.



- Do not install the TV over or under an air-conditioner.
- Be sure to install the Wall-Mount Bracket securely to the wall following the instructions in this instruction manual. If any of the screws are loose or fall out, the Wall-Mount Bracket may fall and cause injury or property damage.



- Be sure to use the supplied screws and attachment parts properly following the instructions given in this instruction manual. If you use substitute items, the TV may fall and cause bodily injury to someone or damage to the TV.
- Be sure to assemble the bracket properly following the instructed procedure explained in this instruction manual.
- Be sure to tighten the screws securely in the designated position.
- Be careful not to subject the TV to shock during installation.
- Be sure to install the TV on a wall that is both perpendicular and flat.
- After proper installation of the TV, secure the cables properly.
- Do not allow the AC power cord or the connecting cable to be pinched as the internal conductors may become exposed and cause a short circuit or an electrical break.



Precautions

Viewing the TV

- View the TV in moderate light, as viewing the TV in poor light or during long period of time, strains your eyes.
- When using headphones, adjust the volume so as to avoid excessive levels, as hearing damage may result.

LCD Screen

- Although the LCD screen is made with high-precision technology and 99.99% or more of the pixels are effective, black dots may appear or bright points of light (red, blue, or green) may appear constantly on the LCD screen. This is a structural property of the LCD screen and is not a malfunction.
- Do not push or scratch the front filter, or place objects on top of this TV set. The image may be uneven or the LCD screen may be damaged.
- If this TV set is used in a cold place, a smear may occur in the picture or the picture may become dark. This does not indicate a failure. These phenomena disappear as the temperature rises.
- Ghosting may occur when still pictures are displayed continuously. It may disappear after a few moments.
- The screen and cabinet get warm when this TV set is in use. This is not a malfunction.
- The LCD screen contains a small amount of liquid crystal. Follow your local ordinances and regulations for disposal.

Handling and cleaning the screen surface/cabinet of the TV set

Be sure to unplug the AC power cord (mains lead) connected to the TV set from AC power outlet (mains socket) before cleaning.

To avoid material degradation or screen coating degradation, observe the following precautions.

- To remove dust from the screen surface/cabinet, wipe gently with a soft cloth. If dust is persistent, wipe with a soft cloth slightly moistened with a diluted mild detergent solution.
- Never spray water or detergent directly on the TV set. It may drip to the bottom of the screen or exterior parts and enter the TV set, and may cause damage to the TV set.



- Never use any type of abrasive pad, alkaline/acid cleaner, scouring powder, or volatile solvent, such as alcohol, benzene, thinner or insecticide. Using such materials or maintaining prolonged contact with rubber or vinyl materials may result in damage to the screen surface and cabinet material.
- Periodic vacuuming of the ventilation openings is recommended to ensure to proper ventilation.
- When adjusting the angle of the TV set, move it slowly so as to prevent the TV set from moving or slipping off from its table stand.

Optional Equipment

Keep optional components or any equipment emitting electromagnetic radiation away from the TV set. Otherwise picture distortion and/or noisy sound may occur.

Wireless Function of the unit

- Do not operate this unit near medical equipment (pacemaker, etc.), as malfunction of the medical equipment may result.
- Although this unit transmits/receives scrambled signals, be careful of unauthorised interception. We cannot be responsible for any trouble as a result.

(Caution about handling the remote control)

Notes

- Observe the correct polarity when inserting batteries.
- Do not use different types of batteries together or mix old and new batteries.
- Dispose of batteries in an environmentally friendly way. Certain regions may regulate the disposal of batteries. Please consult your local authority.
- Handle the remote control with care. Do not drop or step on it, or spill liquid of any kind onto it.
- Do not place the remote control in a location near a heat source, a place subject to direct sunlight, or a damp room.

WALL-MOUNT BRACKET

- If you use the TV installed on the Wall-Mount Bracket for a long time, the wall behind or above the TV may become discoloured or the wallpaper may come unstuck, depending on the material of the wall.
- If the Wall-Mount Bracket is removed after installing it on the wall, the screw holes are left.
- Do not use the Wall-Mount Bracket in a place where it is subjected to mechanical vibrations.

Introduction

Sony vous remercie d'avoir choisi ce téléviseur. Avant de l'utiliser, nous vous invitons à lire attentivement ce manuel et à le conserver pour vous y référer ultérieurement.



- Les instructions relatives à l' « installation du support de fixation murale » sont incluses dans ce mode d'emploi.
- Les illustrations utilisées dans le présent manuel peuvent varier selon le modèle de votre téléviseur.
- Sauf mention contraire, les illustrations utilisées dans ce manuel correspondent au RM-GD027.
- Avant d'utiliser le téléviseur, lisez attentivement la section page 29 (Consignes de sécurité). Conservez ce manuel pour toute référence ultérieure.

Informations sur les marques commerciales

Les termes HDMI et High-Definition Multimedia Interface ainsi que le logo HDMI sont des marques commerciales ou des marques déposées de HDMI Licensing, LLC aux États-Unis et dans d'autres pays.

DLNA®, le logo DLNA et DLNA CERTIFIED® sont des marques, des marques de service ou des marques de certification de Digital Living Network Alliance.

Fabriqué sous licence de Dolby Laboratories.

« BRAVIA » et BRAVIA sont des marques de Sony Corporation.

TrackID est une marque commerciale ou une marque déposée de Sony Mobile Communications AB.

La technologie de reconnaissance des données audio/vidéo et les données associées sont fournies par Gracenote®. Gracenote constitue la norme de l'industrie en matière de technologie de reconnaissance musicale et de fourniture de contenus connexes. Pour plus de détails, visitez www.gracenote.com.

Les données sur CD, DVD ou/et Blu-ray Disc et les données associées aux morceaux de musique et aux clips vidéo sont fournies par Gracenote, Inc., Copyright © 2000 - Date actuelle Gracenote. Logiciels Gracenote, Copyright © 2000 - Date actuelle Gracenote. Ce produit et ce service sont protégés par un ou plusieurs brevets appartenant à Gracenote. Pour obtenir une liste non exhaustive des brevets Gracenote en vigueur, visitez le site Web de Gracenote.

Les noms Gracenote, MusicID, VideoID et Video Explore, le logo et le graphisme Gracenote ainsi que la mention « Powered by Gracenote » sont des marques commerciales ou des marques déposées de Gracenote aux États-Unis et/ou dans d'autres pays.

Opera® Devices SDK from Opera Software ASA. Copyright 1995-2013 Opera Software ASA. All rights reserved.

Wi-Fi, Wi-Fi Direct et Miracast sont des marques commerciales ou des marques déposées de Wi-Fi Alliance.

« Blu-ray Disc », « Blu-ray » et le logo « Blu-ray Disc » sont des marques commerciales de Blu-ray Disc Association.

« Sony Entertainment Network logo » et « Sony Entertainment Network » sont des marques de Sony Corporation.

MHL, Mobile High-Definition Link et le logo MHL sont des marques commerciales ou des marques enregistrées de MHL Licensing, LLC.

Fabriqué sous licence de DTS Licensing Limited. Pour plus d'informations sur les marques commerciales et les brevets aux États-Unis et dans le reste du monde, consultez la page www.dts.com/patents/legacy.aspx.

(c) DTS Licensing Limited et DTS, Inc. 2012.

HDMI™
HIGH-DEFINITION MULTIMEDIA INTERFACE



Emplacement de l'étiquette d'identification

Les étiquettes reprenant le numéro de modèle et les caractéristiques nominales de l'alimentation (selon les normes de sécurité en vigueur) du téléviseur se trouvent à l'arrière du téléviseur. Les étiquettes reprenant le numéro de modèle et le numéro de série de l'alimentation secteur se trouvent au bas de l'alimentation secteur.

À propos de ce manuel

(Mode d'emploi)

Ce manuel explique comment configurer le téléviseur. Pour plus d'informations sur le mode d'utilisation du téléviseur BRAVIA, reportez-vous au « Manuel électronique ».

Mode d'emploi

Explique comment configurer votre téléviseur, par exemple les raccordements, le réglage initial et les opérations de base.

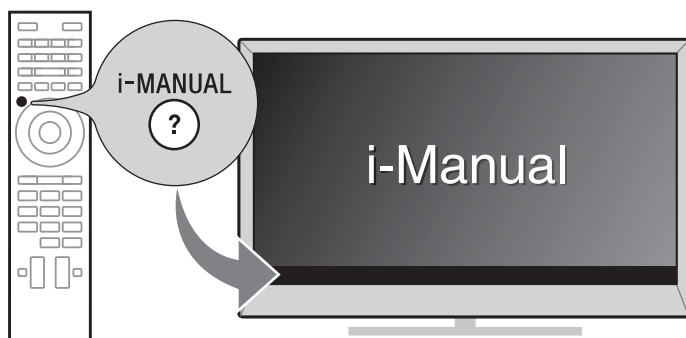


Pour plus d'informations, appuyez sur la touche i-MANUAL.



Manuel électronique (i-Manual)

Explique comment utiliser toutes les fonctions. Pour savoir comment utiliser l'i-Manual, reportez-vous à page 19.



Les images et illustrations utilisées dans le présent manuel peuvent être différentes de l'écran réel.

Table des matières

Mise en route

Vérification des accessoires	6
Insertion de piles dans la télécommande	6
1: Fixation du support de table	7
2: Raccordements	8
3: Protection du téléviseur contre les chutes	11
4: Rangement des câbles	11
5: Connexion du téléviseur à Internet.....	12
6: Exécution du réglage initial	13

FR

Utilisation de votre téléviseur BRAVIA

Regarder la télévision ▶ 14

Sélection de divers réglages et fonctions (menu Accueil).....	16
Regarder la vidéo Internet.....	18

Recherche d'instructions

Recherche d'instructions dans le manuel électronique (i-Manual) ▶ 19

Informations complémentaires

Dépannage.....	21
Spécifications	22
Installation des accessoires (Support de fixation murale)	24
Consignes de sécurité	29
Précautions.....	32

Vérification des accessoires

Télécommande (1)

Piles AAA (type R03) (2)

Cordon d'alimentation secteur (1)

Alimentation secteur (1)

Support de câble (1)

Support de table (1)*

Vis de fixation du support de table

(M5 x 16) (2)

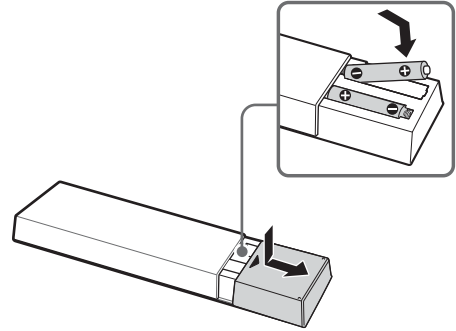
Vis d'assemblage pour le support de table

(M5 x 16) (2)

Mode d'emploi (présent manuel), autres documents et accessoires du support de fixation murale

* Reportez-vous au feuillet fourni avec le support de table pour assembler ce dernier.

Insertion de piles dans la télécommande

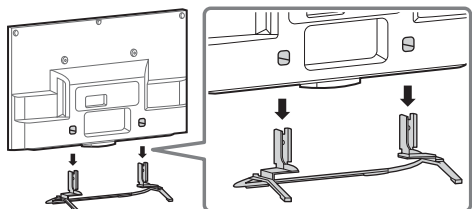



- 1** Retirez la feuille de protection.
- 2** Appuyez sur le couvercle et faites-le glisser pour l'ouvrir.

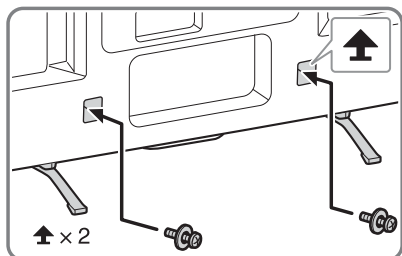
1: Fixation du support de table

Reportez-vous au feuillet fourni avec le support de table pour une fixation correcte.

1 Placez le téléviseur sur le support de table.



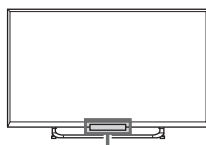
2 Fixez le téléviseur au support de table à l'aide des vis fournies. Les flèches  indiquent l'emplacement des trous de vis servant à la fixation du support de table.



- Si vous utilisez un tournevis électrique, réglez son couple sur 1,5 N·m {15 kgf·cm} environ.




- Vérifiez qu'aucun objet ne se trouve devant le téléviseur.



Capteur IR

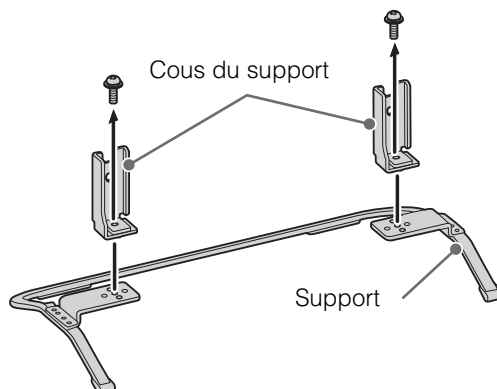
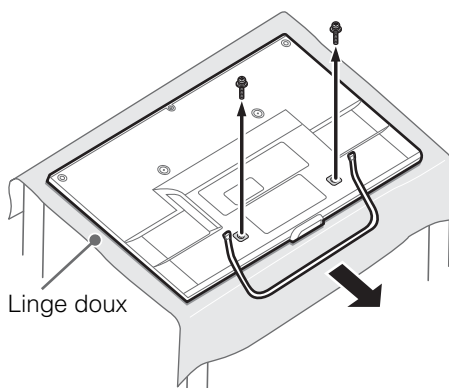
Démontage du support de table du téléviseur

Pour démonter le support de table du téléviseur, retirez les vis  fixées à l'étape 2.



- Aucun motif ne justifie le démontage du support de table du téléviseur, excepté l'installation des accessoires correspondants sur le téléviseur.
- Lors du retrait du support de table du téléviseur, placez la face écran orientée vers le bas sur une surface de travail stable plus large que le téléviseur.
- Pour éviter d'endommager la surface de l'écran LCD, veillez à placer un chiffon doux sur la surface de travail.
- Une fois les cous du support retirés de ce dernier, veillez à ranger les cous du support et les vis en lieu sûr.

FR



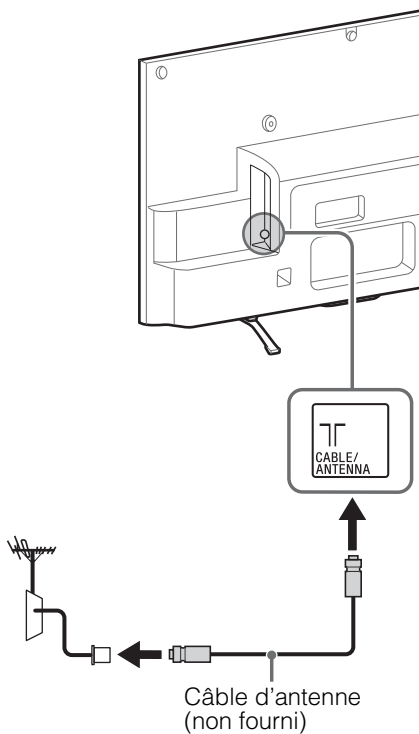
2: Raccordements



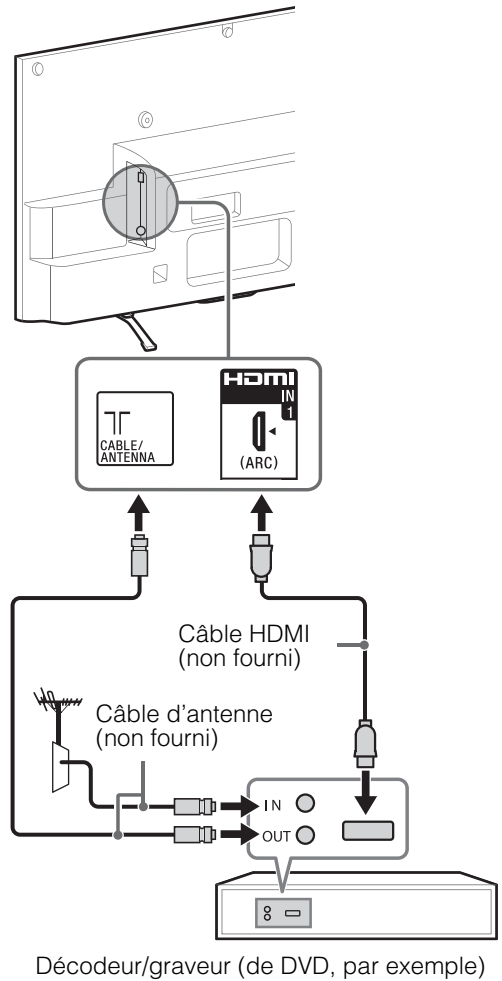
- Utilisez un connecteur de câble d'antenne dont l'épaisseur ne dépasse pas 14 mm.
- Utilisez un connecteur de câble HDMI de 12 mm d'épaisseur et 21 mm de largeur.
- Pour plus d'informations sur les raccordements, consultez l'i-Manual.

Raccordement d'une antenne/câble/magnétoscope

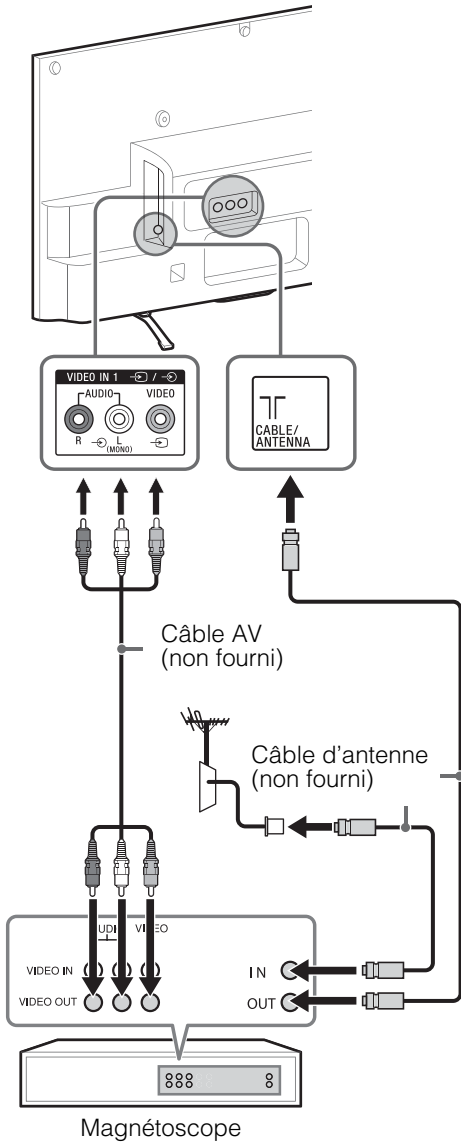
- Pour raccorder une antenne/un câble



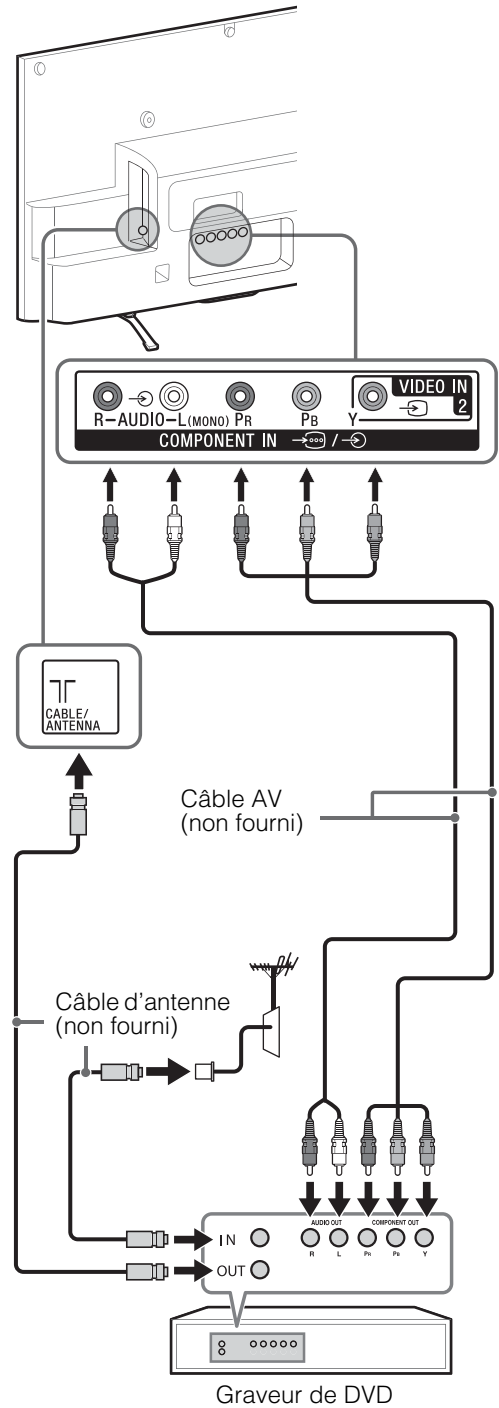
- Pour raccorder un décodeur/enregistreur (de DVD, par exemple) avec le câble HDMI



Raccordement d'une antenne/d'un câble et d'un magnéscope



Raccordement de périphériques audio/video

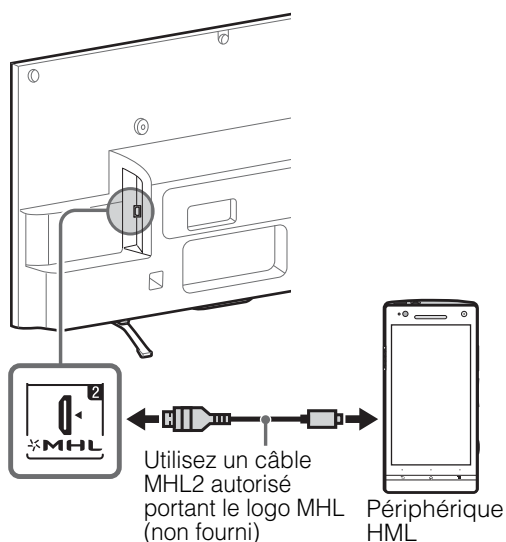


FR

(Suite)

9 FR

Raccordement du périphérique MHL



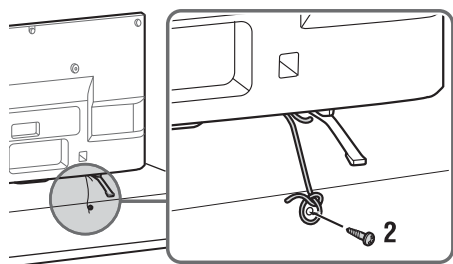
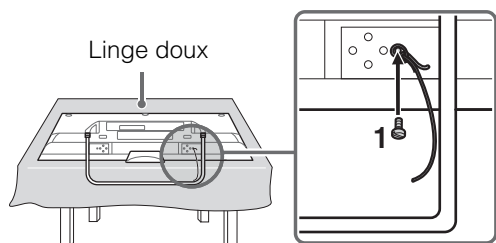
- Ce produit est officiellement certifié MHL, c'est-à-dire que son fonctionnement avec d'autres périphériques certifiés MHL. En cas de problèmes lors de l'utilisation de la fonction MHL, contactez le fabricant du périphérique pour obtenir une assistance.

MHL (Mobile High-Definition Link) permet au téléviseur de communiquer avec le périphérique compatible avec MHL raccordé. Le téléviseur peut charger le périphérique compatible avec MHL tout en lisant les photos/la musique/les vidéos stockées dessus. Vous pouvez utiliser la télécommande du téléviseur pour commander le périphérique compatible avec MHL raccordé.



- Si « Changement d'entrée auto (MHL) » est réglé sur « Oui », le téléviseur bascule automatiquement vers l'entrée HDMI IN 2/MHL lorsqu'un périphérique compatible avec MHL est raccordé à la prise HDMI IN 2/MHL. La disponibilité de « Changement d'entrée auto (MHL) » dépend de la prise en charge ou non de cette fonction par le périphérique compatible avec MHL.
- Vous pouvez continuer d'utiliser normalement le périphérique compatible avec MHL raccordé (par exemple, la réception d'appels) selon sa fonctionnalité.
- Il est possible que certaines fonctions de la télécommande ne soient pas disponibles selon le périphérique MHL compatible raccordé. Pour plus de détails, consultez le mode d'emploi du périphérique.
- Si « Recharge MHL en veille » est réglé sur « Oui », vous pouvez continuer de charger le périphérique compatible avec MHL y compris lorsque le téléviseur est en mode veille.

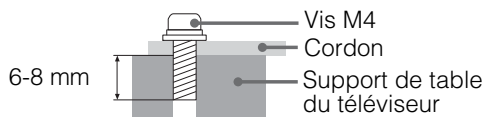
3: Protection du téléviseur contre les chutes



- Avant de fixer la vis à métaux, placez la face écran orientée vers le bas sur une surface de travail stable plus large que le téléviseur.
- Pour éviter d'endommager la surface de l'écran LCD, veillez à placer un chiffon doux sur la surface de travail.

- 1** Fixez une vis à métaux (M4, non fournie) dans l'orifice de vis du téléviseur et nouez-la avec un lien résistant (non fourni).
- 2** Fixez une vis à bois (non fournie) sur le meuble TV. Relevez ensuite le lien résistant à la vis à bois.

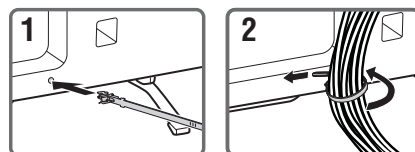
La longueur de la vis à métaux M4 varie selon le diamètre du cordon.
Reportez-vous à l'illustration ci-dessous.



4: Rangement des câbles



- Ne rangez pas le cordon d'alimentation secteur avec les autres câbles.



5: Connexion du téléviseur à Internet

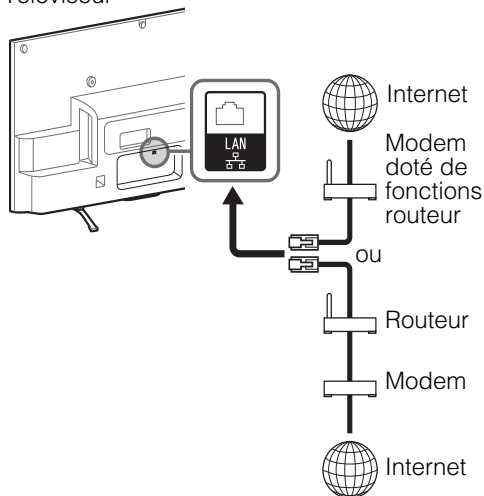
Lorsque vous connectez ce téléviseur à Internet, vous pouvez bénéficier de plusieurs fonctions. Pour plus de détails sur les fonctions, consultez l'i-Manual.



- Vous devrez souscrire un abonnement auprès d'un fournisseur de services Internet pour pouvoir vous connecter à Internet.

Préparation d'un réseau filaire

Téléviseur



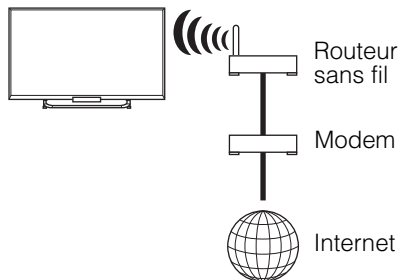
- Pour les connexions LAN, utilisez un câble de catégorie 7 (non fourni).

Préparation d'un réseau local sans fil

KDL-42/32W674A, KDL-42/32W670A

Le périphérique LAN sans fil intégré vous permet d'accéder à Internet et à votre réseau domestique. Grâce à cette fonction, vous pouvez vous connecter à un réseau local sans fil et profiter des avantages liés aux réseaux dans un environnement sans câble.

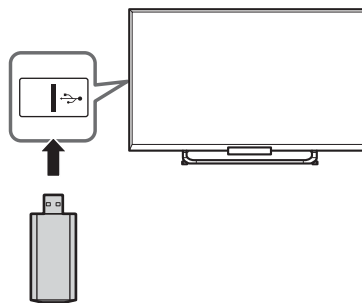
Téléviseur



Sauf KDL-42/32W674A, KDL-42/32W670A

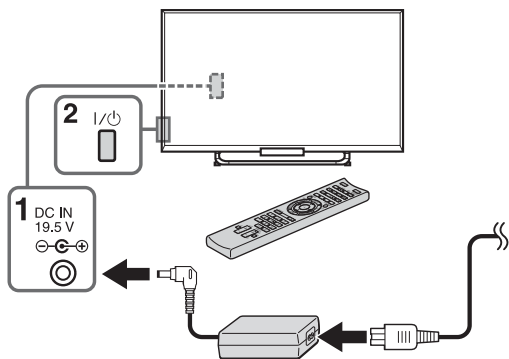
Le concept Prêt pour les réseaux locaux sans fil vous permet d'accéder facilement à Internet et à votre réseau domestique grâce à l'adaptateur USB Internet Wireless LAN UWA-BR100. En insérant l'adaptateur USB Internet Wireless LAN dans le port USB de votre téléviseur, vous pouvez facilement créer un réseau sans câble.

Téléviseur



Avant de configurer la fonction de réseau local sans fil du téléviseur, veuillez à configurer un routeur de réseau local sans fil.

6: Exécution du réglage initial



1 Raccordez le cordon d'alimentation secteur à l'alimentation secteur et branchez le câble CC dans la borne DC IN. Raccordez ensuite le téléviseur à votre prise secteur.

2 Appuyez sur la touche I/⏻ du téléviseur. L'affichage LED s'allume en blanc.

La première fois que vous mettez sous tension le téléviseur, le menu Langue apparaît sur l'écran.



- La première fois que vous mettez le téléviseur sous tension, un traitement interne est nécessaire pour l'optimiser avant que vous puissiez procéder à la configuration initiale. Aucune image ni aucun son n'est diffusé et l'affichage LED qui se trouve à l'avant du téléviseur clignote en blanc pendant 40 secondes environ. N'éteignez pas le téléviseur pendant ce processus. Ce processus est réalisé en usine sur certains téléviseurs.
- L'affichage LED s'allume dans différentes couleurs selon l'état du téléviseur. Si vous ne voulez pas que l'affichage LED s'allume, vous pouvez le désactiver ultérieurement. Appuyez sur **HOME**, puis sélectionnez « Réglages » → « Paramètres système » → « Réglage général » → « Affichage LED » → « Non ». Vous pouvez aussi appuyer sur **OPTIONS**, puis sélectionner « Affichage LED » → « Non ».



3 Appuyez sur ⬆/⬇/⬅/➡ pour sélectionner un élément, puis appuyez sur ⊕. Suivez les instructions affichées à l'écran.



Ordre des chaînes : Permet de modifier l'ordre des chaînes analogiques mémorisées dans le téléviseur.

- 1** Appuyez sur ⬆/⬇ pour sélectionner la chaîne que vous souhaitez déplacer vers un autre numéro, puis appuyez sur ⊕.
- 2** Appuyez sur ⬆/⬇ pour sélectionner le nouveau numéro de la chaîne, puis appuyez sur ⊕.



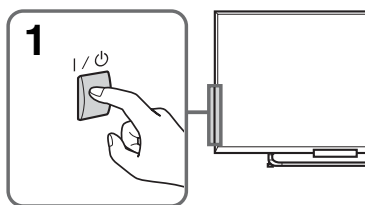
- Vous pouvez aussi régler les chaînes manuellement.

Réglage réseau : Définit les réglages Internet. Si vous n'accédez pas à Internet, ou pour effectuer la configuration ultérieurement, sélectionnez « Passer ». Après avoir sélectionné « Continuer » ou « Démarrer » (selon le modèle) dans l'écran de confirmation de la configuration Internet, sélectionnez « Auto » pour établir automatiquement la connexion au réseau. Sélectionnez « Expert » pour établir la connexion manuellement.



- Si vous utilisez la sécurité WEP, sélectionnez « Expert » → « Réglage réseau sans fil » → « Rechercher ». Sélectionnez ensuite le nom du réseau (SSID) que vous voulez connecter. Si vous ne trouvez pas le nom de réseau requis, sélectionnez « [Saisie manuelle] », puis appuyez sur ⊕ pour entrer le nom de réseau.
- Pour effectuer le réglage « Réglage réseau » ultérieurement, appuyez sur **HOME**, puis sélectionnez « Réglages » → « Réseau » → « Réglage réseau ».
- Utilisez Adaptateur USB Internet Wireless LAN en option pour établir la connexion avec votre routeur sans fil (ou point d'accès) à 5 GHz. Insérez Adaptateur USB Internet Wireless LAN et réglez « Wi-Fi Direct » sur « Non ». Appuyez sur **HOME**, puis sélectionnez « Réglages » → « Réseau » → « Wi-Fi Direct » → « Non ».

Regarder la télévision



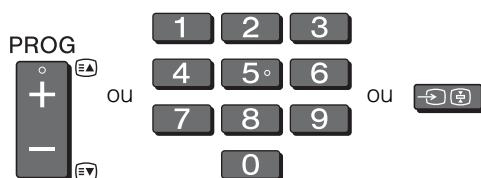
1 Mettez le téléviseur sous tension.

Appuyez sur la touche I/⏻ du téléviseur ou de la télécommande pour allumer le téléviseur.

2 Sélectionnez un mode.



3 Sélectionnez une chaîne de télévision ou une entrée.

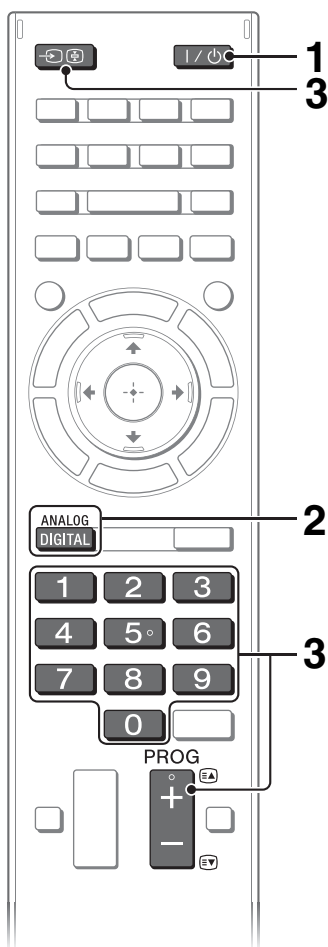


■ Pour sélectionner des chaînes numériques

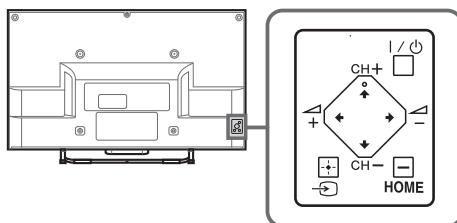
Utilisez **0-9**. Pour les chaînes à partir du numéro 10, appuyez rapidement sur le deuxième chiffre.



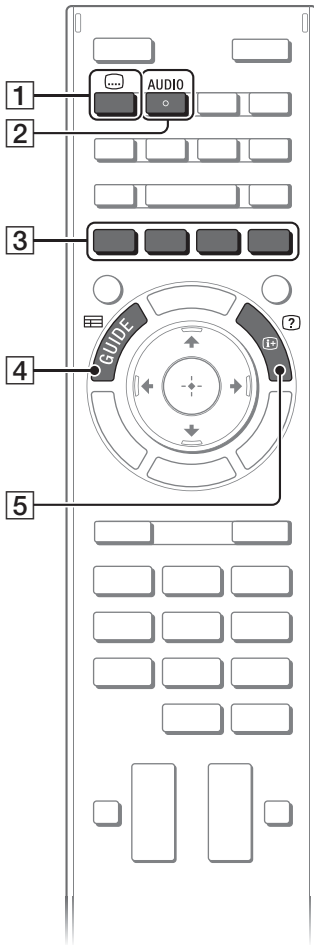
- Voir l'illustration ci-dessous pour identifier l'emplacement des touches I/⏻, CH+/-, <+/-, ▲/▼/◀/▶, ↻, ⏻ et HOME sur le téléviseur.



Arrière du téléviseur



Touches fréquemment utilisées



1 Réglage des sous-titres

Vous pouvez activer/désactiver les sous-titres pendant que vous regardez des émissions numériques.

2 **AUDIO**

Vous pouvez sélectionner le son secondaire ou une langue secondaire pendant que vous regardez des émissions multiplexes

3 **Touches de couleurs**

Lorsque les touches de couleurs sont disponibles, un guide d'utilisation s'affiche à l'écran.

4 **GUIDE**

Affiche le guide des programmes numérique.

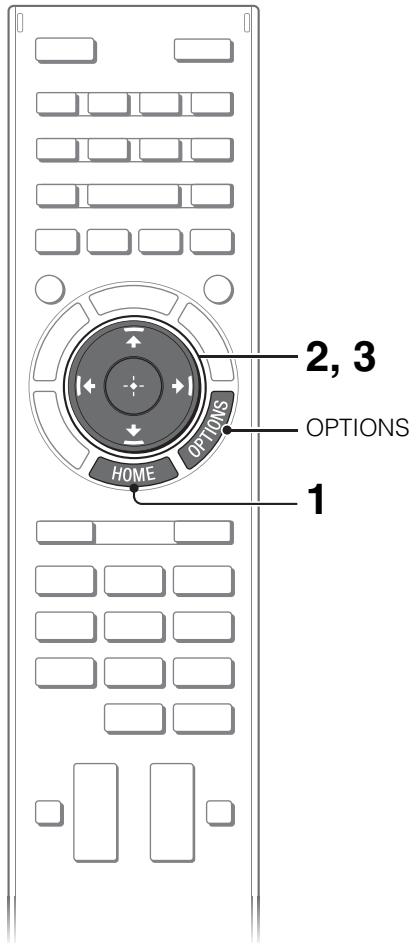
5 **Affichage d'informations / de texte**

Affiche le numéro de chaîne, les détails des programmes et l'horloge.

FR

Sélection de divers réglages et fonctions (menu Accueil)

Vous pouvez sélectionner les fonctions de votre téléviseur dans le menu Accueil.



Voici un exemple illustrant comment sélectionner un élément et modifier les réglages du téléviseur.

1 Appuyez sur HOME.



2 Appuyez sur ↑/↓ pour sélectionner la catégorie « Réglages ».

Le contenu de « Réglages » s'affiche horizontalement.



Reportez-vous à page 17 (Liste des catégories) pour toutes les catégories.

3 Appuyez sur ←/→ pour sélectionner l'option de réglage souhaitée, puis appuyez sur ⊕.

4 Modifiez les réglages.

■ Pour quitter le menu Accueil

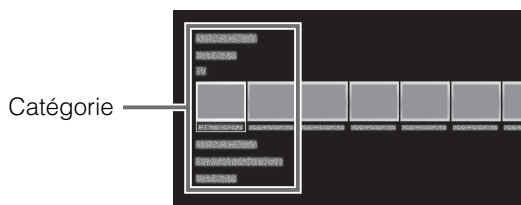
Appuyez sur HOME.

■ Pour sélectionner à l'aide de la touche OPTIONS

Appuyez sur OPTIONS.

Une liste contenant les fonctions et les raccourcis pratiques du menu s'affiche. Les options de menu varient selon l'entrée et/ou le contenu en cours.

Liste des catégories



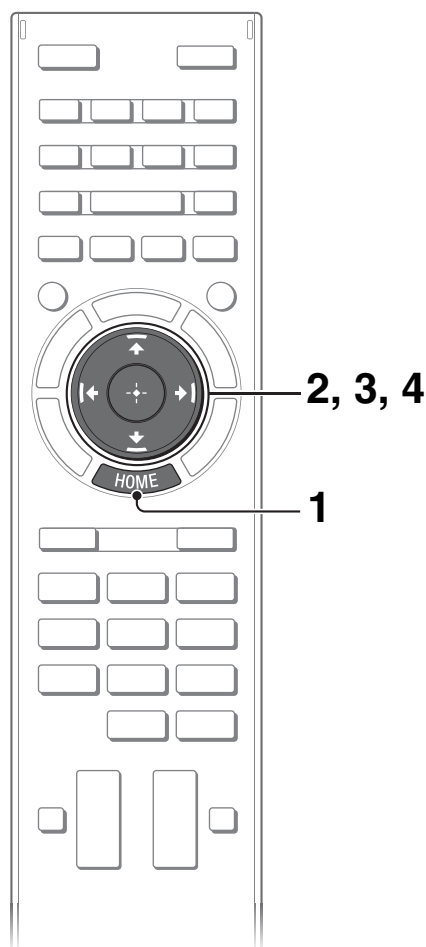
Les catégories sont disponibles selon votre modèle de téléviseur, votre région et votre pays.

Sélection vidéo	Fournit des informations sur les applications et les contenus disponibles. En l'absence de connexion réseau ou si le paramètre d'affichage « Affichage Sélection vidéo » est réglé sur « Non », la catégorie « Sélection vidéo » ne s'affichera pas.
Historique	Affiche les éléments récemment visualisés.
TV	Permet de sélectionner une liste de chaînes de télévision ou un guide de programmes. Le guide des programmes est disponible selon votre modèle de téléviseur ou votre région. La liste des chaînes enregistrées comme favoris dans la catégorie « TV » s'affiche.
Applications	Lance les applications nécessitant une connexion à Internet, y compris Media Player qui ne requiert pas de connexion à Internet. La liste des applications enregistrées comme favoris dans la catégorie « Applications » s'affiche.
Périphériques connectés	Permet la sélection de périphériques raccordés au téléviseur.
Réglages	Fournit les réglages (p. ex. réglages des images, réglages du son, réglages des tonalités de touches) permettant de personnaliser le téléviseur.

FR

Regarder la vidéo Internet

Cette fonction sert de passerelle vers des contenus Internet, en vous permettant d'accéder à divers divertissements à la demande directement sur votre téléviseur. Vous pouvez regarder des contenus vidéo, notamment des films et des dessins animés. Vous aurez besoin d'une connexion Internet haut débit. Pour plus d'informations, reportez-vous à page 12 (5: Connexion du téléviseur à Internet).



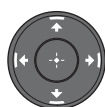
1 Appuyez sur HOME.



2 Appuyez sur ↑/↓ pour sélectionner la catégorie « Applications ».

3 Appuyez sur ←/→ pour sélectionner « Toutes les applications », puis sélectionnez ⊕.

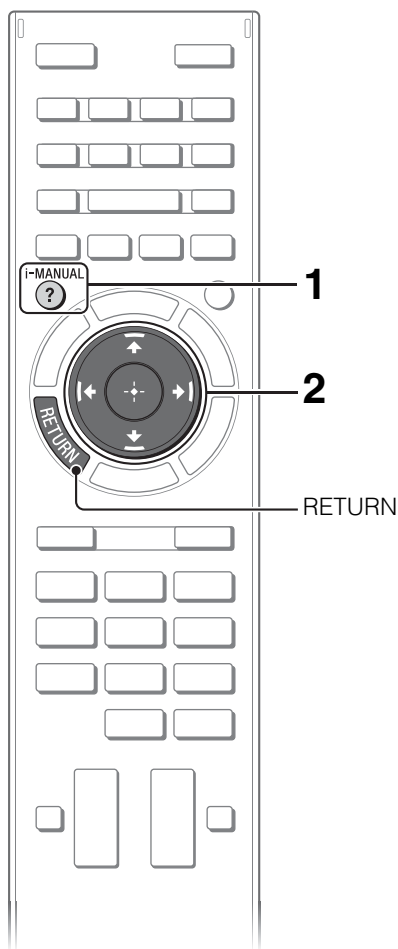
4 Appuyez sur ↑/↓/←/→ pour sélectionner le service souhaité, puis appuyez sur ⊕.



- Si vous vous heurtez à des difficultés lors de l'utilisation de cette fonction, vérifiez que la connexion à Internet est correctement configurée.
- L'interface avec les contenus Internet dépend des fournisseurs de contenus Internet.
- Les services bloquent les contenus vidéo en fonction du réglage de « Verrouillage parental » sur le téléviseur. Certains fournisseurs de services ne prennent pas en charge cette fonction.
- Pour mettre à jour les services de contenus vidéo Internet, appuyez sur **HOME**, puis sélectionnez « Réglages » → « Réseau » → « Actualiser le contenu Internet ».

Recherche d'instructions dans le manuel électronique (i-Manual)

Le mode d'emploi est intégré à votre téléviseur BRAVIA et peut être affiché à l'écran. Pour en savoir plus sur les fonctions de votre téléviseur, appuyez sur une touche pour accéder à votre i-Manual.



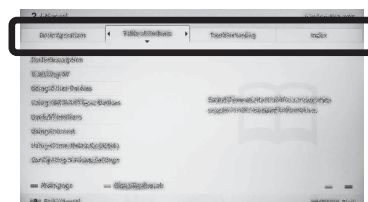
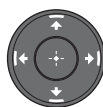
1 Appuyez sur i-MANUAL.



FR

2 Sélectionnez un élément.

1 Appuyez sur \leftarrow/\rightarrow pour sélectionner un élément.



2 Appuyez sur $\uparrow/\downarrow/\leftarrow/\rightarrow$ pour sélectionner un élément, puis appuyez sur \oplus .



Flèche*

* Si une flèche apparaît, appuyez sur \downarrow plusieurs fois pour afficher d'autres éléments.

La page de l'élément sélectionné s'affiche.



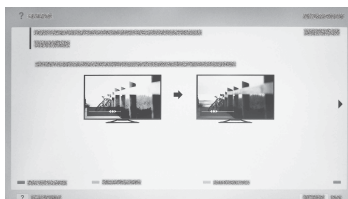
- Vous pouvez parcourir les pages à l'aide de \leftarrow/\rightarrow . Appuyez sur **RETURN** pour retourner à la page précédente.

Enregistrement des pages fréquemment visualisées (Signet)

Vous pouvez enregistrer les pages fréquemment visualisées afin de pouvoir y accéder facilement à tout moment.

■ Pour enregistrer une page

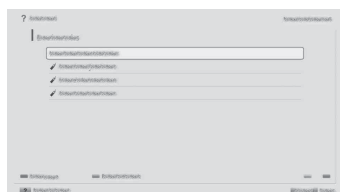
Dans la page à associer à un signet, appuyez sur la touche jaune de la télécommande.



■ Pour accéder à la page associée au signet

Lors de l'affichage de l'i-Manual, appuyez sur la touche verte de la télécommande pour afficher la liste des signets.

Appuyez sur \uparrow/\downarrow pour sélectionner l'élément souhaité, puis appuyez sur \oplus .



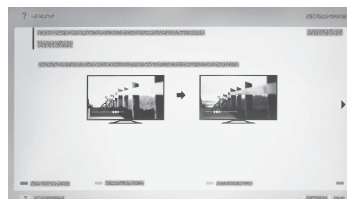
- Pour retourner à l'écran précédent, appuyez sur **RETURN**.

■ Pour supprimer un signet

Lorsque la page associée à un signet s'affiche, appuyez sur la touche jaune de la télécommande.

Réaffichage de la page pendant l'utilisation du téléviseur

Vous pouvez alterner entre l'écran de l'i-Manual et l'écran du téléviseur. Cette fonction vous permet de vous reporter aux instructions dans l'i-Manual pendant l'utilisation de votre téléviseur BRAVIA. Appuyez sur **i-MANUAL** pour alterner entre l'écran de l'i-Manual précédemment affiché et l'écran du téléviseur.



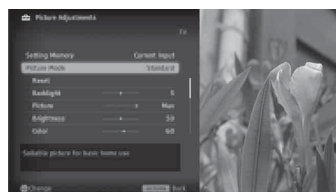
Écran de l'i-Manual précédemment affiché



i-MANUAL
?



Écran du téléviseur BRAVIA



- Pour accéder directement à la première page de l'i-Manual, appuyez sur la touche rouge de la télécommande. Vous pouvez également appuyer sur **HOME**, puis sélectionner « Réglages » → « i-Manual » pour accéder directement à la première page de l'i-Manual.
- Une fois le téléviseur éteint ou mis en veille, l'i-Manual s'affiche à partir de la première page lorsque vous sélectionnez « i-Manual ».

Dépannage

Lorsque l'affichage LED clignote en rouge, comptez le nombre de clignotements (l'intervalle est de trois secondes).

Appuyez sur la touche **I/⏻** du téléviseur pour le mettre hors tension, débranchez le cordon d'alimentation secteur et signalez la façon dont le témoin clignote (nombre de clignotements) à votre revendeur ou au Centre de Service Après-Vente Sony.

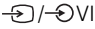
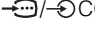







Lorsque l'affichage LED ne clignote pas, vérifiez les anomalies comme indiqué dans les tableaux ci-dessous.

Reportez-vous aussi à la section « Dépannage » de l'i-Manual. Si le problème persiste, confiez votre téléviseur à un technicien qualifié.

FR

Condition	Description/Solution
Absence d'image (écran noir) et de son.	<ul style="list-style-type: none">• Vérifiez le raccordement de l'antenne/câble.• Raccordez le téléviseur à l'alimentation secteur et appuyez sur la touche I/⏻ du téléviseur ou de la télécommande.
Impossible de syntoniser certains programmes.	<ul style="list-style-type: none">• Vérifiez l'antenne.
La télécommande ne fonctionne pas.	<ul style="list-style-type: none">• Remplacez les piles.• Votre téléviseur est peut-être en mode SYNC. Appuyez sur SYNC MENU, sélectionnez « Commande TV », puis sélectionnez « Accueil (Menu) » ou « Options » pour commander le téléviseur.
Le mot de passe du « Verrouillage parental » a été oublié.	<ul style="list-style-type: none">• Saisissez 9999 comme code PIN. (Le code PIN 9999 est toujours accepté.)
La température augmente autour du téléviseur.	<ul style="list-style-type: none">• Si vous utilisez le téléviseur pendant une période prolongée, la température augmente dans la zone qui l'entoure. Si vous le touchez, vous remarquerez peut-être qu'il est chaud.
Audio ou vidéo gelé, écran noir ou le téléviseur ne répond pas quand les touches du téléviseur ou de la télécommande sont actionnées.	<ul style="list-style-type: none">• Effectuez une réinitialisation simple du téléviseur en débranchant le cordon d'alimentation secteur pendant deux minutes et en le rebranchant.

Spécifications

Norme	
Type d'affichage	Ecran à cristaux liquides
Norme de télévision	Analogique : B/G, I, D/K, M, L Numérique : DVB-T2 (Selon le modèle de votre téléviseur) DVB-T
Norme Couleur/Vidéo	Analogique : PAL, SECAM, NTSC3.58, NTSC4.43 Numérique : Consultez l'i-Manual
Canaux couverts	Analogique : UHF/VHF/Câble, Selon le pays/la région sélectionné. Numérique : UHF/VHF, Selon le pays/la région sélectionné.
Sortie son	8 W + 8 W (KDL-42W674A/42W670A/42W654A/42W650A) 5 W + 5 W (KDL-32W674A/32W670A/32W654A/32W650A/32W600A)
Prises d'entrée/sortie	
Câble d'antenne	Borne 75 ohms externe pour VHF/UHF
 VIDEO IN 1	Entrée audio/vidéo (prises phono)
 COMPONENT IN	YPbPr (Vidéo composante): 1080p (50, 60Hz), 1080i (50, 60Hz), 720p (50, 60Hz), 720/24p, 576p, 576i, 480p, 480i Entrée audio (prises phono)
 VIDEO IN 2	Entrée vidéo (broche phono partagée avec l'entrée Y)
HDMI IN 1, 2	Vidéo : 1080p (30, 50, 60Hz), 1080/24p, 1080i (50, 60Hz), 720p (30, 50, 60Hz), 720/24p, 576p, 576i, 480p, 480i, Formats PC Audio : PCM linéaire deux canaux 32, 44,1 et 48kHz, 16, 20 et 24 bits, Dolby Digital ARC (Audio Return Channel) (HDMI IN 1 uniquement)
MHL (partagée avec HDMI IN 2)	Vidéo : 1080p (30Hz), 1080/24p, 1080i (50, 60Hz), 720p (30, 50, 60Hz), 720/24p, 576p, 576i, 480p, 480i Audio : PCM linéaire deux canaux 32, 44,1 et 48kHz, 16, 20 et 24 bits, Dolby Digital
 DIGITAL AUDIO OUT (OPTICAL)	Prise optique numérique (PCM linéaire deux canaux, Dolby Digital)
 AUDIO OUT/ 	Sortie audio (Mini-jack stéréo) Pise casque
	Port USB (seuls les modèles australien et nouveau-zélandais sont compatibles HDD)
 LAN	Connecteur 10BASE-T/100BASE-TX (La vitesse de connexion du réseau peut varier en fonction de l'environnement d'exploitation. Le débit et la qualité de la communication 10BASE-T/100BASE-TX ne sont pas garantis pour ce téléviseur.)
 DC IN 19.5 V	Entrée d'alimentation secteur
Autres	
Accessoires fournis	Voir la section « Vérification des accessoires » (page 6).
Accessoires en option	Caméra Microphone :CMU-BR200/CMU-BR100 Adaptateur USB Internet Wireless LAN : UWA-BR100
Températures de fonctionnement	0 °C – 40 °C
Humidité de fonctionnement	10 % – 80 % HR (sans condensation)

Nom du modèle KDL-	42W674A 42W670A 42W654A 42W650A	32W674A 32W670A 32W654A 32W650A	32W600A
Alimentation et autres			
Tension d'alimentation	CC 19,5 V avec alimentation secteur Caractéristiques nominales : Entrée 110 V - 240 V CA, 50/60 Hz		
Taille d'écran (mesurée en diagonale)	Environ. 106,7cm/42 pouces	Environ. 80,1cm/32 pouces	Environ. 80,0cm/32 pouces
Résolution d'affichage	1 920 points (horizontal) × 1 080 lignes (vertical)	1 920 points (horizontal) × 1 080 lignes (vertical)	1 366 points (horizontal) × 768 lignes (vertical)
Consommation électrique	84 W (en cas d'utilisation de l'alimentation secteur)	67 W (en cas d'utilisation de l'alimentation secteur)	67 W (en cas d'utilisation de l'alimentation secteur)
Dimensions (Environ.) (l × h × p)			
Avec support de table (mm)	954 × 595 × 197	725 × 465 × 197	721 × 463 × 197
Sans support de table (mm)	954 × 568 × 69	725 × 438 × 69	721 × 436 × 69
Poids (Environ.)			
Avec support de table (kg)	11,0	7,8	7,7
Sans support de table (kg)	9,9	6,8	6,7

FR

La disponibilité des accessoires en option varie selon les pays, les régions, les modèles de téléviseur et les stocks.

La conception et les spécifications sont sujettes à modification sans préavis.

Installation des accessoires (Support de fixation murale)

A l'attention des clients

Une certaine expérience est requise pour installer ce produit. Veuillez à confier l'installation à un revendeur Sony ou un installateur agréé et apportez une attention particulière à la sécurité pendant l'installation. Sony n'est responsable d'aucun dégât ou blessure provoqué par une erreur de manipulation ou une installation incorrecte, ou par l'installation d'un produit autre que celui qui est spécifié. Vos droits réglementaires (le cas échéant) ne sont pas affectés.

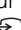
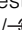
A l'attention des revendeurs Sony et installateurs

Une certaine expérience est requise pour installer ce produit. Veuillez à lire attentivement ce mode d'emploi afin d'effectuer l'installation en toute sécurité. Sony n'est responsable d'aucun dégât ou blessure provoqué par une erreur de manipulation ou une installation incorrecte. Veuillez remettre ce manuel au client après l'installation.

Le support de table du téléviseur sera utilisé comme une partie du support de fixation murale.

- Reportez-vous à la page 29 (Consignes de sécurité) et à la page 32 (Précautions) relatives au SUPPORT DE FIXATION MURALE avant d'effectuer l'installation du support de fixation murale.

Précautions

- Démontez le support de table du téléviseur. Pour plus d'informations, reportez-vous à page 7 (Démontage du support de table du téléviseur).
- Si le téléviseur est installé au mur, la borne VIDEO IN 1   située à l'arrière du téléviseur ne peut pas être utilisée.

Vérification des accessoires

Base de fixation murale (1)

Support d'alimentation secteur (1)

Gabarit en papier (1)

Protecteur du support (1)

Plaque de recouvrement du support (1)

Vis d'assemblage du support de fixation murale (+PSW 6 x 12) (2)

Entretoises (2)

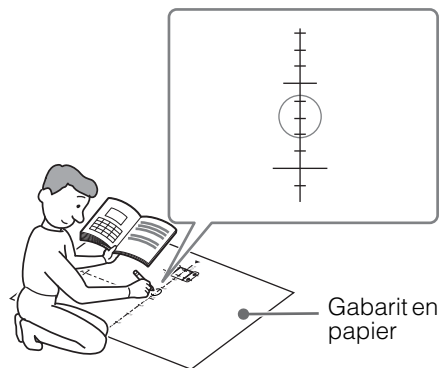
Vis de fixation de la plaque de recouvrement du support (+PSW 4 x 10) (1)



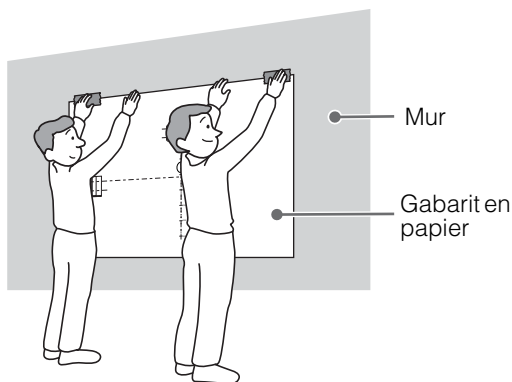
- Les vis requises pour fixer la base de fixation murale et le support d'alimentation secteur au mur ne sont pas fournies.

Installation des supports de fixation au mur

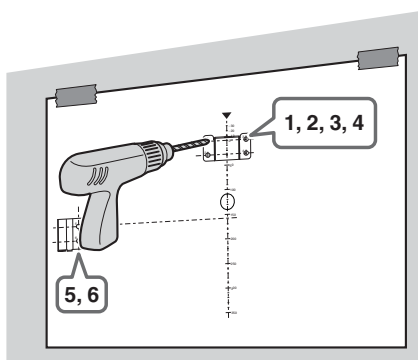
- 1 Déterminez la position centrale du téléviseur. Effectuez une marque sur le gabarit en papier indiquant le centre de l'écran du téléviseur, en vous référant à la page 28 (Tableau des dimensions d'installation du téléviseur) pour déterminer la dimension du centre de l'écran.



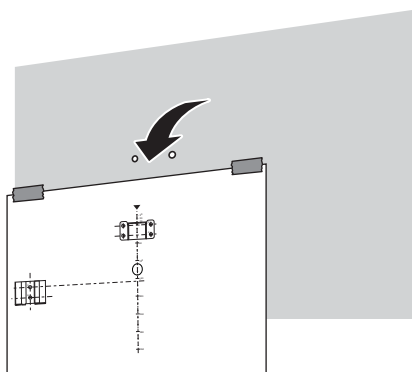
- 2** Déterminez la position d'installation du téléviseur. Scotchez le gabarit en papier au mur.



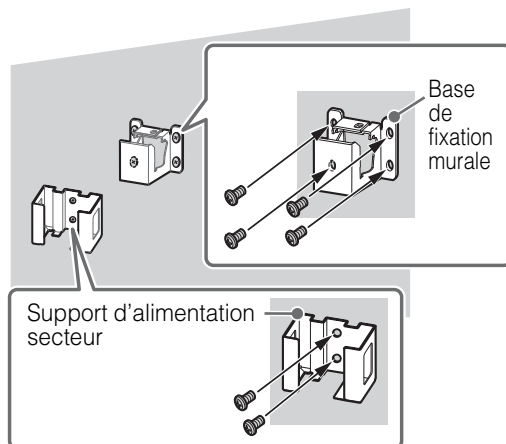
- 3** Effectuez six trous, selon la numérotation (1, 2, 3, 4, 5 et 6), sur le gabarit en papier à l'aide d'une perceuse électrique.



- 4** Décollez le gabarit en papier du mur.



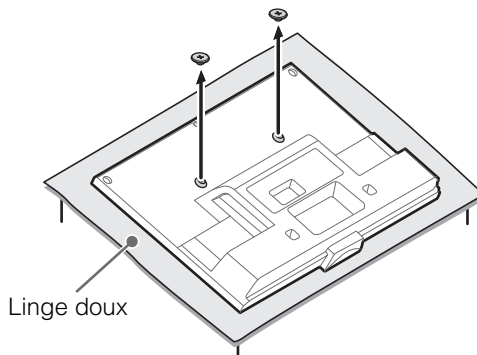
- 5** Fixez les vis (8 mm de diamètre (non fournies)) à la base de fixation murale et le support d'alimentation secteur sur le mur.



FR

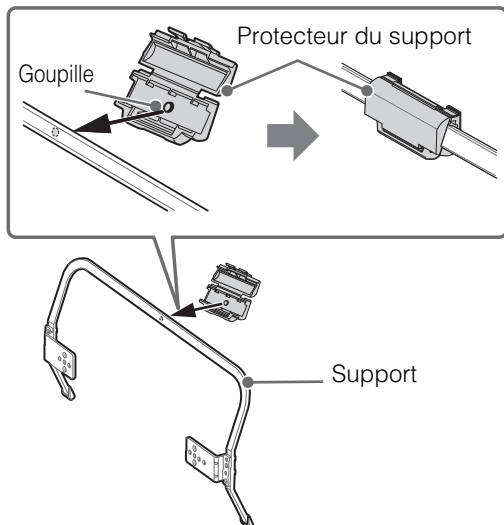
Préparation de l'installation du téléviseur

- 1** Retirez les vis à l'arrière du téléviseur. Une fois retirées, veillez à ranger les vis en lieu sûr, hors de portée des enfants.

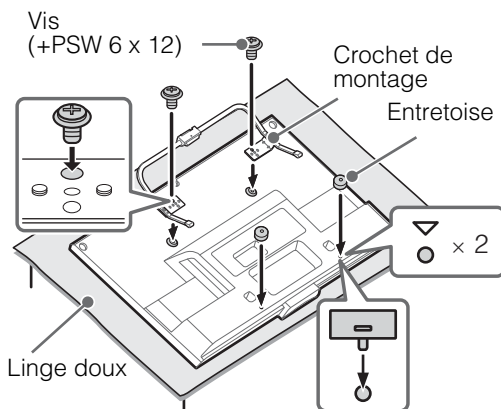


- Lors du retrait du support de table du téléviseur, placez la face écran orientée vers le bas sur une surface de travail stable plus large que le téléviseur.
- Pour éviter d'endommager la surface de l'écran LCD, veillez à placer un chiffon doux sur la surface de travail.
- Une fois les cous du support retirés de ce dernier, veillez à ranger les cous du support et les vis en lieu sûr.
- Si vous refixez le support de table, veillez à utiliser les vis (que vous avez retirées) et fixez-les dans les trous d'origine à l'arrière du téléviseur.

- 2** Assurez-vous que la goupille (sur le protecteur du support) est insérée dans le trou du support. Repliez le protecteur du support une fois la goupille insérée dans le support.

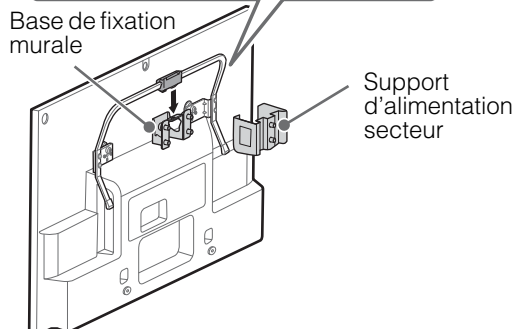
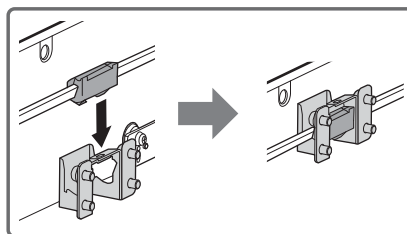
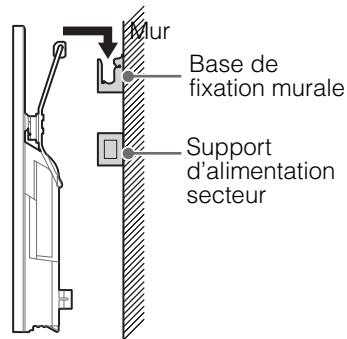


- 3** Fixez les Crochets de montage (sur le support) à l'aide des vis fournies. Fixez les entretoises aux trous indiqués par les marques triangulaires ▽.



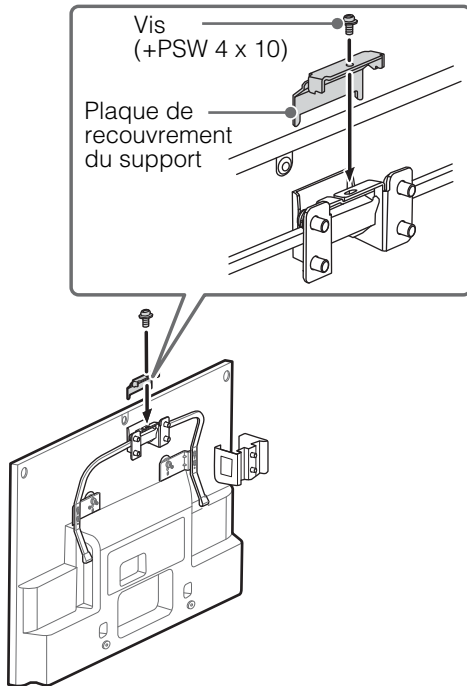
Installation du téléviseur au mur

- 1** Installez le téléviseur au mur. Vérifiez ensuite que le protecteur du support est fermement verrouillé dans la base de fixation murale.



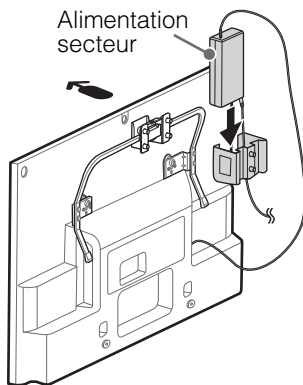
- Veillez à raccorder et ranger les câbles avant d'installer le téléviseur au mur.

- 2** Fixez la plaque de recouvrement du support à l'aide de la vis fournie.



FR

- 3** Insérez l'alimentation secteur dans le support d'alimentation secteur. Veillez à ce que l'étiquette soit orientée vers l'extérieur.

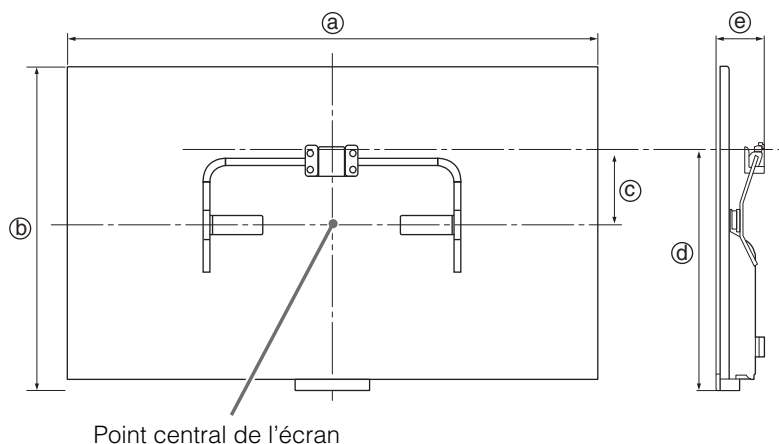


← La direction de la flèche indique l'avant du téléviseur.



- Inclinez le téléviseur vers l'avant afin d'insérer facilement l'alimentation secteur et raccorder ou débrancher le cordon et les câbles pendant que le téléviseur pend au mur.

Tableau des dimensions d'installation du téléviseur



Unité : mm

Nom du modèle KDL-	Dimensions d'affichage		Dimension du centre écran	Longueur pour le montage	
	a	b	c	d	e
42W674A/42W670A 42W654A/42W650A	954	568	124	419	87
32W674A/32W670A 32W654A/32W650A	725	438	190	419	87
32W600A	721	436	190	419	87

Les valeurs indiquées dans le tableau peuvent être légèrement différentes selon l'installation.

AVERTISSEMENT

Le mur sur lequel le téléviseur sera installé doit pouvoir supporter un poids d'au moins quatre fois celui du téléviseur. Pour connaître son poids, reportez-vous à page 22-23 (Spécifications).

Consignes de sécurité

AVERTISSEMENT

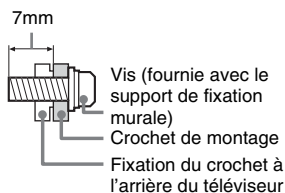
Les piles ne doivent pas être exposées à une chaleur excessive, par exemple rayon du soleil, feu ou toute source de chaleur similaire.

Installation/Mise en place

Installez et utilisez le téléviseur conformément aux instructions ci-dessous afin d'éviter tout risque d'incendie, d'électrocution ou autre dommage et/ou blessure.

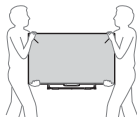
Installation

- Le téléviseur doit être installé à proximité d'une prise de courant aisément accessible.
- Positionnez le téléviseur sur une surface stable et horizontale afin d'éviter qu'il ne tombe, n'entraîne des blessures ou ne soit endommagé.
- L'installation murale du téléviseur doit être confiée à un technicien spécialisé.
- Pour des raisons de sécurité, il est vivement recommandé d'utiliser les accessoires Sony, notamment :
 - Support de fixation murale
- Veillez à bien utiliser les vis fournies avec le support de fixation murale lors de la mise en place des crochets de montage à l'arrière du téléviseur. Ces vis sont usinées comme décrit dans l'illustration, quand elles sont mesurées à partir de la surface de fixation du crochet de montage. Leur diamètre et leur longueur varient suivant le modèle de support de fixation murale. L'utilisation de vis autres que celles fournies peut occasionner des dégâts à l'intérieur du téléviseur ou provoquer sa chute, etc.



Transport

- Avant de transporter le téléviseur, débranchez tous ses câbles.
- La présence de deux ou trois personnes est nécessaire pour le transport des téléviseurs de grande taille.
- Pour transporter le téléviseur à la main, saisissez-le de la manière illustrée. N'exercez aucune pression sur le panneau LCD ni sur le cadre qui entoure l'écran.

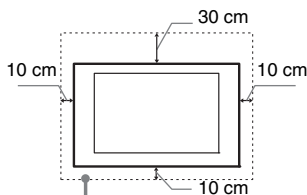


- Lorsque vous transportez le téléviseur, ne le soumettez pas à des secousses ou des vibrations excessives.
- Lorsque vous transportez le téléviseur pour le porter à réparer ou lorsque vous déménagez, glissez-le dans son emballage et son carton d'origine.

Aération

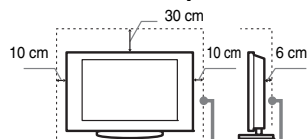
- Vous ne devez jamais obstruer les orifices d'aération du boîtier ni y introduire un objet quelconque.
- Laissez un espace libre autour du téléviseur, comme indiqué ci-dessous.
- Il est vivement recommandé d'utiliser le support de fixation murale Sony pour favoriser la circulation adéquate de l'air.

Installation murale



Laissez au moins cet espace libre autour du téléviseur.

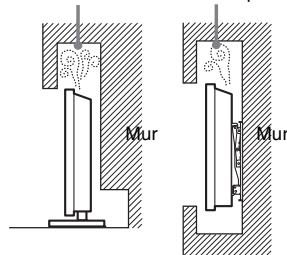
Installation sur pied



Laissez au moins cet espace libre autour du téléviseur.

- Pour une ventilation correcte, sans accumulation de salissures ni de poussière :
 - Ne placez pas le téléviseur à plat, à l'envers, vers l'arrière ou sur le côté.
 - Ne placez pas le téléviseur sur une étagère, un tapis, un lit ou dans un placard.
 - Ne couvrez pas le téléviseur avec des tissus tels que des rideaux, pas plus qu'avec des journaux, etc.
 - N'installez pas le téléviseur comme illustré ci-dessous.

La circulation de l'air est bloquée.



Cordon d'alimentation secteur

Manipulez le cordon et la prise d'alimentation secteur comme indiqué ci-dessous afin d'éviter tout risque d'incendie, d'électrocution ou autre dommage et/ou blessure :

- N'utilisez que les cordons d'alimentation fournis par Sony, et jamais d'autres marques.
- Insérez la fiche à fond dans la prise de courant.
- Utilisez le téléviseur sur une alimentation de 110-240 V CA uniquement.
- Pour votre propre sécurité, assurez-vous que le cordon d'alimentation secteur est débranché lorsque vous réalisez des branchements et veillez à ne pas trébucher dans les câbles.
- Débranchez le cordon d'alimentation de la prise de courant avant toute intervention ou tout déplacement du téléviseur.
- Maintenez le cordon d'alimentation éloigné des sources de chaleur.
- Débranchez la fiche du cordon d'alimentation secteur et nettoyez-la régulièrement. Si la fiche accumule de la poussière ou est exposée à l'humidité, son isolation peut se détériorer et un incendie peut se déclarer.

Remarques

- N'utilisez pas le cordon d'alimentation fourni avec un autre appareil.
- Ne pliez pas et ne tordez pas exagérément le cordon d'alimentation secteur. Cela pourrait mettre à nu ou rompre les fils conducteurs.
- Ne modifiez pas le cordon d'alimentation secteur.
- Ne posez jamais d'objet lourd sur le cordon d'alimentation secteur.
- Ne tirez jamais sur le cordon d'alimentation secteur proprement dit pour le débrancher.
- Veillez à ne pas brancher un trop grand nombre d'appareils sur la même prise de courant.
- Pour la prise de courant, n'utilisez pas une prise de mauvaise qualité.

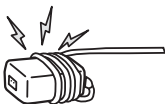
REMARQUE SUR L'ALIMENTATION SECTEUR

Avertissement

Pour réduire le risque d'incendie ou d'électrocution, n'exposez pas cet appareil à la pluie ou à l'humidité. Pour éviter tout incendie ou électrocution, ne placez pas d'objets remplis de liquide, par exemple des vases, sur l'appareil.

N'installez pas cet appareil dans un espace confiné, par exemple sur une étagère ou toute unité similaire.

- Veillez à ce que la prise secteur soit installée à proximité de l'appareil et soit aisément accessible.
- Veillez à utiliser l'alimentation secteur et le cordon d'alimentation secteur fournis. Sinon, vous risqueriez de provoquer un dysfonctionnement.
- Raccordez l'alimentation secteur à une prise secteur aisément accessible.
- N'enroulez pas le cordon d'alimentation secteur autour de l'alimentation secteur. Le fil central pourrait se couper et/ou vous risqueriez de provoquer un dysfonctionnement du téléviseur.
- Ne touchez pas l'alimentation secteur avec les mains mouillées.
- Si vous observez une anomalie au niveau de l'alimentation secteur, débranchez-la immédiatement de la prise secteur.
- Le téléviseur reste sous tension tant qu'il est raccordé à la prise secteur, même s'il est éteint.
- Dans la mesure où l'alimentation secteur chauffe quand elle est utilisée pendant une période prolongée, elle risque d'être chaude quand vous la touchez avec les mains.



Ce qu'il ne faut pas faire

N'installez/n'utilisez pas le téléviseur dans des lieux, environnements ou situations comparables à ceux répertoriés ci-dessous car sinon, il risque de ne pas fonctionner correctement ou de provoquer un incendie, une électrocution, d'autres dommages et/ou des blessures.

Lieu :

- A l'extérieur (en plein soleil), au bord de la mer, sur un bateau ou voilier, à l'intérieur d'un véhicule, dans des établissements hospitaliers, des sites instables, exposés à la pluie, l'humidité ou à la fumée.
- Si le téléviseur est placé dans les vestiaires de thermes ou de bains publics, le soufre dans l'atmosphère, etc., risque de l'endommager.



- Pour une qualité d'image optimale, n'exposez pas l'écran à un éclairage direct ou aux rayons directs du soleil.
- Évitez de déplacer le téléviseur d'une zone à une zone chaude. Les changements brusques de température ambiante peuvent entraîner une condensation de l'humidité. Le téléviseur peut alors diffuser des images et/ou des couleurs de qualité médiocre. Dans une telle éventualité, laissez l'humidité s'évaporer complètement avant de mettre le téléviseur sous tension.
- Ne jamais vaporiser d'eau ou de détergent directement sur le téléviseur. Le liquide pourrait couler au bas de l'écran ou sur les parties extérieures, voire pénétrer dans le téléviseur et l'endommager.

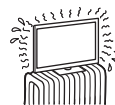


Environnement :

- Endroits excessivement chauds, humides ou poussiéreux ; accessibles aux insectes ; soumis à des vibrations mécaniques, à proximité d'objets inflammables (bougies, etc.). Le téléviseur ne doit être exposé à aucune forme d'écoulement ou d'éclaboussure. C'est pourquoi aucun objet rempli d'un liquide quelconque, comme un vase, ne doit être placé sur le téléviseur.
- Ne placez pas le téléviseur dans un espace humide ou poussiéreux ni dans une pièce pleine de vapeur ou de fumée grasse (près de tables de cuisson ou d'humidificateurs). Il pourrait en résulter un incendie, des risques d'électrocution ou des déformations.

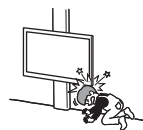


- N'installez pas le téléviseur à des endroits sujets à des températures extrêmes, par exemple la lumière directe du soleil ou près d'un radiateur ou d'un ventilateur soufflant de l'air chaud. Il peut en résulter une surchauffe du téléviseur, susceptible de déformer le boîtier et/ou d'entraîner le dysfonctionnement du téléviseur.



Situation :

- N'utilisez pas le téléviseur avec les mains mouillées, sans son boîtier ou avec des accessoires non recommandés par le fabricant. En cas d'orage, débranchez le téléviseur de la prise de courant et de la prise d'antenne.
- N'installez pas le téléviseur de manière saillante dans un espace ouvert. Des personnes pourraient se blesser ou l'endommager ou des objets pourraient se heurter au téléviseur.



Eclats et projections d'objets :

- Ne projetez aucun objet en direction du téléviseur. Le verre de l'écran pourrait être brisé lors de l'impact et provoquer des blessures graves.
- Si la surface de l'écran se fissure, ne touchez pas le téléviseur avant d'avoir débranché le cordon d'alimentation secteur. Le non-respect de cette consigne peut entraîner un risque d'électrocution.

Au repos

- Si vous envisagez de ne pas utiliser le téléviseur pendant plusieurs jours, il est conseillé de le débrancher de l'alimentation secteur pour des raisons de sécurité et de protection de l'environnement.
- Le téléviseur étant toujours sous tension lorsqu'il est simplement éteint, débranchez la fiche d'alimentation secteur de la prise de courant pour le mettre complètement hors tension.
- Toutefois, certains téléviseurs possèdent des caractéristiques dont le bon fonctionnement peut exiger que l'appareil demeure sous tension lorsqu'il est en mode veille.

Avec les enfants

- Ne laissez pas les enfants grimper sur le téléviseur.
- Conservez les petits accessoires hors de portée des enfants pour éviter tout risque d'ingestion accidentelle.

Si vous rencontrez les problèmes suivants...

Eteignez le téléviseur et débranchez immédiatement le cordon d'alimentation secteur de la prise de courant si l'un des problèmes suivants devait survenir.

Contactez votre revendeur ou le centre de service après-vente Sony pour faire contrôler votre téléviseur par un technicien spécialisé.

Si :

- Le cordon d'alimentation secteur est endommagé.
- La prise de courant est de mauvaise qualité.
- Le téléviseur est endommagé après avoir subi une chute, un impact ou la projection d'un objet.
- Un objet liquide ou solide a pénétré à l'intérieur des ouvertures du boîtier.

À propos de la température du moniteur LCD

Si vous utilisez le moniteur LCD pendant une période prolongée, la température augmente dans la zone entourant le panneau. Si vous le touchez, vous remarquerez peut-être qu'il est chaud.

SUPPORT DE FIXATION MURALE

Les informations ci-dessous décrivent la manipulation correcte du support de fixation murale. Veillez à lire attentivement ces informations et utilisez correctement le support de fixation murale.

A l'attention des clients :

Veillez à respecter les précautions de sécurité suivantes pour prévenir des blessures graves par feu, choc électrique, renversement du produit ou chute du produit.

- Veillez à confier l'installation à un installateur agréé et tenez les jeunes enfants à l'écart pendant l'installation.
- Veillez confier le déplacement ou le démontage du téléviseur à des installateurs agréés.
- Ne retirez pas de vis, etc., après le montage du téléviseur.
- N'altérez pas les pièces du support de fixation murale.
- Ne montez pas d'autres équipements que le produit spécifié.
- N'appliquez pas d'autres poids que le téléviseur sur le support de fixation murale.
- Ne vous appuyez pas sur ou vous suspendez du téléviseur.
- Ne manipulez pas le téléviseur avec trop de force pendant le nettoyage ou l'entretien.

A l'attention des revendeurs Sony et installateurs :

Les instructions suivantes sont uniquement à l'attention des revendeurs et des installateurs Sony. Veillez à lire les précautions de sécurité décrites ci-dessous et apportez une attention toute particulière à la sécurité pendant l'installation, l'entretien et le contrôle de ce produit.

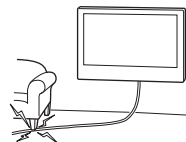
- N'installez pas le support de fixation murale sur les surfaces où les coins ou côtés du téléviseur sont en saillie par rapport à la surface du mur.



- N'installez pas le téléviseur sur ou sous un climatiseur.
- Veillez à installer le support de fixation murale solidement en suivant les instructions de ce mode d'emploi. Si l'une de vis est desserrée ou tombe, le support de fixation murale pourrait tomber et provoquer des blessures ou occasionner des dommages matériels.



- Veillez à bien utiliser les vis en suivant les instructions fournies dans ce mode d'emploi. Si vous utilisez des articles de remplacement, le téléviseur pourrait tomber et provoquer des blessures physiques à une personne ou endommager le téléviseur.
- Veillez à fixer correctement le support en suivant la procédure expliquée dans ce mode d'emploi.
- Veillez à serrer les vis fermement à la position indiquée.
- Veillez à ne pas soumettre le téléviseur à des chocs pendant l'installation.
- Veillez à installer le téléviseur à un mur perpendiculaire et lisse à la fois.
- Après avoir correctement installé le téléviseur, fixez les câbles de façon appropriée.
- Évitez que le câble d'alimentation secteur ou le câble de raccordement soient pincés, cela pourrait mettre à nu les fils conducteurs et provoquer un court-circuit ou une décharge électrique.



Précautions

Regarder la télévision

- Regarder la télévision dans une pièce modérément éclairée ou peu éclairée ou pendant une période prolongée soumet vos yeux à un effort.
- Si vous utilisez un casque, réglez le volume de façon à éviter un niveau sonore excessif qui pourrait altérer votre capacité auditive.

Ecran LCD

- Bien que l'écran LCD soit fabriqué avec une technologie de haute précision et soit doté d'une définition de pixels effectifs de 99,99 % ou supérieure, il est possible que quelques points noirs ou points lumineux (rouges, bleus ou verts) apparaissent constamment sur l'écran. Ce phénomène est inhérent à la structure de l'écran LCD et n'indique pas un dysfonctionnement.
- N'appuyez pas sur le filtre avant, ne l'érafliez pas et ne placez pas d'objets sur ce téléviseur. L'image pourrait être instable ou l'écran LCD être endommagé.
- Si ce téléviseur est utilisé dans un environnement froid, l'image peut apparaître sale ou sombre. Ce n'est pas le signe d'un dysfonctionnement. Ce phénomène disparaît au fur et à mesure que la température augmente.
- Une image rémanente peut apparaître lorsque des images fixes sont affichées en continu. Elle peut disparaître au bout d'un certain temps.
- L'écran et le boîtier se réchauffent lorsque le téléviseur est en cours d'utilisation. Ceci n'a rien d'anormal.
- L'écran LCD contient une petite quantité de cristaux liquides. Respectez les réglementations locales en vigueur concernant la mise au rebut de cet équipement.

Traitement et nettoyage du boîtier et de la surface de l'écran du téléviseur

Assurez-vous que le cordon d'alimentation secteur relié au téléviseur est débranché de la prise de courant avant d'entreprendre toute opération de nettoyage.

Pour éviter toute dégradation du matériau ou du revêtement de l'écran, respectez les précautions suivantes.

- Pour ôter la poussière du boîtier ou de la surface de l'écran, frottez délicatement avec un linge doux. En cas de saleté tenace, frottez avec un linge doux légèrement imprégné d'une solution à base de détergent doux dilué.
- Ne jamais vaporiser d'eau ou de détergent directement sur le téléviseur. Le liquide pourrait couler au bas de l'écran ou sur les parties extérieures, voire pénétrer dans le téléviseur et l'endommager.



- N'utilisez jamais d'éponge abrasive, de produit de nettoyage alcalin/acide, de poudre à récurer ou de solvant volatil, qu'il s'agisse d'alcool, d'essence, de diluant ou d'insecticide. L'utilisation de ces produits ou tout contact prolongé avec des matériaux en caoutchouc ou en vinyle peut endommager la surface de l'écran et le matériau du boîtier.
- Le nettoyage régulier des ouvertures de ventilation est recommandé pour assurer une ventilation correcte.
- Si l'angle du téléviseur doit être réglé, déplacez lentement ce dernier pour éviter qu'il ne se désolidarise et tombe de son pied.

Appareils optionnels

Éloignez le téléviseur de tout appareil ou équipement optionnel émettant des rayonnements électromagnétiques. Sinon, cela pourrait entraîner une déformation de l'image et/ou un bruit.

Fonction sans fil de l'appareil

- N'utilisez pas cet appareil à proximité d'un équipement médical (stimulateur cardiaque, par exemple), car cela pourrait altérer le bon fonctionnement de ce dernier.
- Même si cet appareil émet/reçoit des signaux brouillés, soyez attentif aux éventuelles interceptions non autorisées. Nous ne pouvons être tenus responsables de tout problème que cela pourrait entraîner.

(Faire attention lors de l'utilisation de la télécommande) Remarques

- Respectez les polarités lors de l'insertion de piles.
- Ne mélangez pas des piles de types différents, ni des piles usagées avec des piles neuves.
- Respectez l'environnement lorsque vous jetez les piles. L'élimination des piles peut être réglementée dans certaines régions. Consultez les autorités locales.
- Manipulez la télécommande avec soin. Ne la laissez pas tomber, ne la piétinez pas et ne renversez aucun liquide sur celle-ci.
- Ne placez pas la télécommande à proximité d'une source de chaleur, dans un endroit exposé à la lumière directe du soleil ou dans une pièce humide.

SUPPORT DE FIXATION MURALE

- Si vous utilisez le téléviseur installé sur le support de fixation murale pendant une période prolongée, le mur derrière ou au-dessus du téléviseur pourrait être décoloré ou le papier pourrait se décoller, selon le matériau du mur.
- Si le support de fixation murale est enlevé après l'avoir installé sur le mur, les trous des vis restent.
- N'utilisez pas le support de fixation murale à un emplacement sujet à des vibrations mécaniques.

تنبيهات احتياطية

مشاهدة التلفزيون

- شاهد التلفزيون بضوء معتدل، لأن مشاهدة التلفزيون بإضاءة ضعيفة أو لفترات طويلة من الزمن، تؤدي إلى إجهاد العين.
- عند استعمال سماعات الرأس، اضبط مستوى الصوت لتفادي المستويات الصوتية العالية، مما ينتج عن ذلك تضرر حاسة السمع لديك.

شاشة LCD

- على الرغم من أن شاشة LCD مصنوعة بتقنية عالية المستوى و % 99.99 أو أكثر من البكسل مؤثر، فقد تظهر نقاط سوداء أو نقاط ساطعة من الضوء (أحمر، أزرق، أو أخضر) دائماً على شاشة LCD. هذه هي التركيبة الخاصة لشاشة LCD ولا تعتبر دليلاً على وجود قصور في الاداء.
- لا تدفع أو تخدش المرشح الأمامي أو تضع أشياء على قمة جهاز التلفزيون هذا. قد تتفاوت جودة الصورة أو تتلف شاشة LCD.
- إذا تم استعمال جهاز التلفزيون في مكان بارد، قد تظهر لطفة في الصورة أو تصبح معتمة. هذا ليس دليلاً على وجود الخلل. سوف تختفي هذه الظاهرة كلما زادت درجة الحرارة.
- قد تظهر الصورة الشبحية نتيجة لعرض صور ساكنة باستمرار. ويمكن أن تختفي بعد لحظات قليلة.
- عند استعمال جهاز التلفزيون نصبح الشاشة والخزانة حارّتان. هذا ليس دليلاً على وجود قصور في الأداء.
- تحتوي شاشة LCD على كمية صغيرة من البُور (الكريستال) السائل، إتبع القوانين والتنظيمات المحلية لديك عندما تريد التخلص منها.

معالجة وتنظيف سطح الشاشة/ خزانة

جهاز التلفزيون

تأكد من فصل سلك التيار المتردد الموصل بجهاز التلفزيون عن مأخذ التيار الرئيسي قبل التنظيف. لتفادي خطوط المادة أو خطوط طلية الشاشة، تقيّد بالتنبيهات الاحتياطية التالية.

- لإزالة الغبار عن سطح الشاشة/الخزانة، امسح بنعومة باستعمال قطعة قماش ناعمة. إذا بقي الغبار، امسح بقطعة قماش ناعمة مبللة قليلاً بمحلول تنظيف معتدل.
- لا ترش الماء أو مواد التنظيف مباشرة على جهاز التلفزيون. يمكن أن تنقط قطرات الماء أو مواد التنظيف على قاعدة الشاشة أو الأجزاء الخارجية وتدخل القطرات إلى دخل التلفزيون، وقد يحصل أضرار بجهاز التلفزيون.



- لا تستعمل مطلقاً لبادات الحك أو منظف قلوئي/حامضي أو مسحوق الصقل أو مذيبيات الطيارة مثل الكحول أو البنزين أو الثنر أو مبيد الحشرات. يؤدي استعمال مثل هذه المواد أو التماس المتواصل مع المواد المطاطية أو الفينيل إلى تلف سطح الشاشة ومواد الخزانة.
- يُوصى بتنظيف فتحات التهوية باستخدام مكبسة كهربائية على فترات منتظمة لضمان التهوية الصحيحة.
- عند ضبط زاوية جهاز التلفزيون، حركه ببطء لتفادي تحريك جهاز التلفزيون أو انزلاقه من الحامل المنضدي.

الأجهزة الاختيارية

احتفظ بالأجهزة الاختيارية أو أي أجهزة تصدر موجات إلكترومغناطيسية بعيداً عن جهاز التلفزيون. وإلا يحدث تشوه للصورة و/أو تشوش بالصوت.

الوظيفة اللاسلكية للوحدة

- لا تشغّل هذه الوحدة قرب الأجهزة الطبية (منظّم قلب الخ)، لأنه يمكن أن يحصل عطل للأجهزة الطبية.
- على الرغم من أن هذه الوحدة ترسل/تستقبل إشارات مختلطة، احذر من الاعتراض غير المخوّل. نحن غير مسؤولين عن أي مشكلة نتيجة لذلك.

تحذير يتعلق بالتعامل مع وحدة

التحكم عن بعد

ملاحظات

- قم بمراجعة القطب الصحيح عند إدخال البطاريات. لا تعتمد إلى استعمال بطاريات من نوع مختلف أو بطاريات مستعملة وأخرى جديدة معاً.
- عند التخلص من البطاريات المستعملة، راع ظروف حماية البيئة. تقوم أقاليم معينة بتنظيم طريقة التخلص من البطاريات. يرجى استشارة سلطتك المحلية.
- تعامل مع وحدة التحكم عن بعد بعناية. لا تعتمد إلى إسقاطها أو دوس عليها أو تعريضها لأي أنواع من السوائل.
- لاتضع وحدة التحكم في موقع قريب من مصادر الحرارة، أو في مكان تتعرض فيه لأشعة الشمس المباشرة، أو في غرفة رطبة.

كثيفة التثبيت الجدارية

- في حالة استخدام التلفزيون المثبت على كثيفة التثبيت الجدارية لفترة طويلة، قد يتشوه لون الجدار خلف التلفزيون أو فوقه أو يتفكك ورق الحائط، وذلك حسب مادة الجدار.
- إذا تمت إزالة كثيفة التثبيت الجدارية بعد تركيبها على الجدار، فستبقى فتحات البراغي.
- لا تستخدم كثيفة التثبيت الجدارية في مكان تتعرض فيه للاهتزازات ميكانيكية.

عند عدم الاستعمال

- إذا رغبت بعدم استعمال التلفزيون لعدة أيام، يجب فصله عن التيار المتردد AC من أجل البيئة وللمتطلبات الأمان.
- بما أن جهاز التلفزيون لا يكون مفصلاً عن قدرة التيار المتردد AC بعد إيقافه عن التشغيل، اسحب القابس من مأخذ التيار المتردد AC لفصل جهاز التلفزيون بشكل كامل.
- مع ذلك، فإن بعض أجهزة التلفزيون قد تتمتع بميزات خاصة تتطلب ضبط جهاز التلفزيون على وضع الاستعداد للتشغيل لكي يعمل بشكل صحيح.

من أجل الأطفال

- لا تسمح للأطفال بالتسلق على جهاز التلفزيون.
- احفظ بالملاحظات الصغيرة بعيداً عن متناول الأطفال، حتى لا يلعبوها عفواً.

إذا حدثت المشاكل التالية...

قم بإيقاف تشغيل جهاز التلفزيون وافصل سلك التيار المتردد AC فوراً في حالة حدوث مشكلة من المشاكل التالية.

اتصل بوكيلك أو مركز صيانة أجهزة Sony لفحصه من قبل الفني المؤهل.

عند:

- تلف سلك التيار المتردد AC.
- وجود تشيئة رديئة لمخرج التيار المتردد AC.
- تضرر جهاز التلفزيون بسبب سقوطه، أو تعرضه لضربة أو سقوط شيء ما إلى داخله.
- سقوط أية سوائل أو أشياء صلبة من خلال الفتحات الموجودة على الخزانة.

حول درجة حرارة شاشة LCD

عند استعمال شاشة LCD لفترة زمنية طويلة، تصبح المناطق المحيطة باللوحة داغمة. قد تشعر بسخونة عند لمس تلك المناطق بيدك.

كثيفة التثبيت الجدارية

تشير المعلومات أدناه إلى التعامل الصحيح مع كثيفة التثبيت الجدارية. احرص على قراءة هذه المعلومات بالكامل واستخدام كثيفة التثبيت الجدارية بطريقة صحيحة.

إلى العملاء:

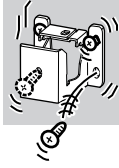
- تأكد من اتباع التثبيت الاحتياطية التالية المتعلقة بالسلامة لمنع وقوع إصابة خطيرة من خلال الحريق، الصدمة الكهربائية، وقوع المنتج، أو سقوطه.
- احرص على التعاقد مع مقاولين معتمدين لتثبيت المنتج وإبعاد الأطفال الصغار عند التركيب.
- احرص على التعاقد مع مقاولين معتمدين لنقل التلفزيون أو فكّه.
- لا تقم بفك البراغي، وغيرها، بعد تركيب التلفزيون.
- لا تقم بإجراء تغييرات على أجزاء كثيفة التثبيت الجدارية.
- لا تقم بتركيب أي جهاز بخلاف المنتج المحدد.
- لا تضع أي أحمال غير التلفزيون على كثيفة التثبيت الجدارية.
- لا تتكئ على التلفزيون أو تتعلق به.
- لا تتعامل مع التلفزيون بقوة مفرطة عند تنظيفه أو صيانته.

إلى موزعي Sony والمتعاقدين معها:

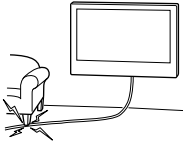
- الإرشادات التالية خاصة بموزعي Sony ومتعهداتها فقط.
- تأكد من قراءة التثبيت الاحتياطية الخاصة بالسلامة الموضحة أدناه ومن مراعاة السلامة بصفة خاصة أثناء التركيب والصيانة وفحص هذا المنتج.
- لا تقم بتركيب كثيفة التثبيت الجدارية على أسطح الجدران التي تكون بها زوايا أو جوانب التلفزيون بارزة من سطح الجدار.



- لا تقم بتركيب التلفزيون فوق مكيف الهواء أو تحته.
- تأكد من تركيب كثيفة التثبيت الجدارية بإحكام على الجدار مع اتباع التعليمات الواردة في دليل التعليمات هذا. في حالة ارتخاء أي برغي من البراغي أو سقوطه، قد تسقط كثيفة التثبيت الجدارية وتتسبب في حدوث إصابة أو تلف للممتلكات.



- تأكد من استخدام البراغي المزودة والأجزاء الملحقة بشكل سليم متبعاً التعليمات الواردة في دليل التعليمات هذا. إذا استخدمت أدوات بديلة، فقد يسقط التلفزيون متسبباً في حدوث إصابة بدنية لشخص أو ضرر للتلفزيون.
- تأكد من تجميع الكثيفة بشكل سليم متبعاً الإجراء المطلوب الموضح في دليل التعليمات.
- تأكد من ربط البراغي بإحكام في الموضع المحدد.
- احرص على عدم تعرض التلفزيون للاصطدام أثناء تركيبه.
- تأكد من تركيب التلفزيون على جدار عمودي ومستوي.
- بعد التركيب الصحيح للتلفزيون، قم بتثبيت الكبلات بشكل سليم.
- لا تسمح بالضغط على قابس سلك التيار المتردد أو كبل التوصيل فقد تنكشف الموصلات الداخلية مما يتسبب في حدوث دائرة قصر أو عطل كهربائي.



ملاحظات

- لاستعمل سلك التيار المتردد AC المزود مع أية أجهزة أخرى.
- لا تقصر، أو تحني، أو تلوي سلك التيار المتردد AC بقوة. لأن قلب الموصلات قد يصبح مكشوفاً أو ينكسر.
- لا تتعدّل سلك التيار المتردد AC.
- لاتضع أي شيء ثقيل على سلك التيار المتردد AC.
- عند فصل سلك التيار المتردد AC لاتسحب سلك التيار المتردد AC نفسه.
- لاتوصل أجهزة عديدة بنفس المخرج للتيار المتردد AC.
- لا تستعمل فتحة مأخذ تيار متردد AC ضعيفة التثبيت.

ملاحظة عن مهائئ التيار المتردد AC

تحذير

- لتقليل خطر نشوب حريق او الصدمة الكهربائية، لا تعرض هذا الجهاز للمطر او الرطوبة.
- لمنع نشوب حريق او خطر الصدمة الكهربائية، لا تضع اجسام مملوءة بالسوائل، مثل إناء زهور الزينة على الجهاز.
- لا تتركّب هذا الجهاز في مكان ضيق، مثل رف الكتب او مكان مشابه.
- يرجى التأكد من ان فتحة طاقة التيار المتردد AC مركبة بالقرب من الجهاز وسهل الوصول اليها.
- تأكد من استعمال مهائئ التيار المتردد قابس سلك التيار المتردد المرفقين. عكس ذلك يمكن ان تسبب عطل بالتشغيل.
- اوصل مهائئ التيار المتردد AC مع فتحة طاقة تيار متردد AC سهل الوصول اليها.
- لاتلف سلك طاقة التيار المتردد AC حول مهائئ التيار المتردد AC. يمكن ان ينقطع سلك القلب و/او يمكن ان يسبب عطل بتشغيل التلفزيون.
- لا تلمس مهائئ التيار المتردد AC ويديك مبللة.
- اذا لاحظت شيء غير طبيعي بمهائئ التيار المتردد AC، افصله من فتحة طاقة التيار المتردد AC فوراً.
- الجهاز غير مفصول من مصدر التيار المتردد AC طالما انه موصول مع فتحة طاقة التيار المتردد AC، حتى اذا كان الجهاز نفسه متوقف عن التشغيل.
- بما أن مهائئ التيار المتردد AC سوف يصبح ساخن عند استعماله لوقت طويل، يمكن ان تشعر بسخونة عندما تلمسه باليد.

موانع مقيدة للاستعمال

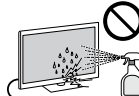
لاتركّب/أو تستعمل جهاز التلفزيون في المواقع، أو البيئات أو الحالات مثل تلك المدرجة أدناه، لأن هذا قد يسبب قصور في أداء جهاز التلفزيون واندلاع الحريق، أو حدوث الصدمة الكهربائية أو التلف و/أو اصابات بليغة.

الموقع:

- خارج المباني (تحت أشعة الشمس المباشرة)، مثل شاطئ البحر، أو على السفينة، أو مركب آخر، داخل المركبة، في المعاهد الطبية، أو مواقع غير مستقرة، قرب الماء، أو المطر، أو الرطوبة أو الدخان.
- إذا تم وضع التلفزيون في غرفة تغيير الملابس في أماكن الاستحمام العامة أو الينابيع الحارة، فإنه يمكن أن يتضرر التلفزيون بسبب الكبريت المحمول جوّاً، الخ.



- للحصول على أفضل جودة للصورة، لا تعرض الشاشة لإضاءة مباشرة أو لضوء الشمس.
- تجنّب نقل التلفزيون من منطقة باردة إلى منطقة ساخنة. يمكن أن تسبب تغيرات درجة حرارة الغرفة بتكاثف الرطوبة. وقد يجعل ذلك لتلفزيون يعرض صورة رديئة و/أو لوناً رديئاً. إذا حصل ذلك، اترك الرطوبة تتبخر بصورة كاملة قبل تشغيل التلفزيون.
- لا ترش الماء أو مواد التنظيف مباشرة على جهاز التلفزيون. يمكن أن تنقط قطرات الماء أو مواد التنظيف على قاعدة الشاشة أو الأجزاء الخارجية وتدخل القطرات إلى دخل التلفزيون، وقد يحصل أضرار بجهاز التلفزيون.

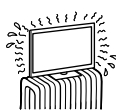


البيئة:

- الأماكن التي تكون حارة أو رطبة أو شديدة الغبار؛ حيث يمكن دخول الحشرات؛ وتلك المعرضة للاهتزاز الميكانيكي؛ بالقرب من المواد الملتهبة (الشموع، الخ). يجب عدم تعريض التلفزيون لأي تساقط أو تآثر لقطرات الماء ويجب عدم وضع أية مواد مملوءة بالسوائل، مثل أواني الزهور، على التلفزيون.
- لاتضع التلفزيون في مكان رطب أو مغبّر، أو في غرفة تحتوي على دخان أو بخار زيتي (قرب مناضد الطبخ أو المرطبات). يمكن أن ينتج عن ذلك حرق أو صدمة كهربائية أو تشويه للتلفزيون.



- لا تتركّب التلفزيون في الأماكن المعرضة للحرارة العالية، مثل أشعة الشمس المباشرة أو قرب الراديو أو فتحات التدفئة. يمكن أن يسخن التلفزيون أكثر من المعبود في مثل هذه الظروف ويحصل تشويه للكبائية و/أو عطل في التلفزيون.



الحالات:

- لاستعمله عندما تكون يديك مبللتين، أو عندما تكون الخزانة منزوعة، أو مع ملحقات لم يوصى بها من قبل المصنع. افصل جهاز التلفزيون والهوائي من مخرج التيار المتردد AC اثناء نوبات البرق.
- لا تتركّب التلفزيون بحيث يبرز إلى مكان مفتوح. يمكن أن ينتج عن ذلك جرح أو ضرر للشخص الذي يصطدم بالتلفزيون.



القطع المكسورة:

- لا ترم أي اشيء على جهاز التلفزيون. قد ينكسر زجاج الشاشة بسبب الصدمة مما يؤدي الى اصابات خطيرة.
- اذا تحطم سطح جهاز التلفزيون، لاتلمسه إلا بعد فصل سلك التيار المتردد AC. وإلا قد ينتج عن ذلك صدمة كهربائية.

معلومات بشأن الأمان

تحذير

ويجب ألا تتعرض البطاريات للحرارة الزائدة مثل أشعة الشمس، النار أو ما شابه ذلك.

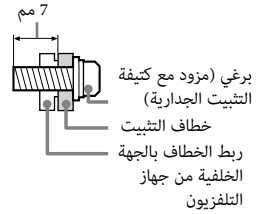
التكيب/الإعداد

ركب جهاز التلفزيون واستخدمه وفقاً للتعليمات المدرجة أدناه من أجل تفادي أي مخاطر تحدث نتيجة اندلاع حريق أو حدوث صدمة كهربائية و/أو إصابات شخصية.

التكيب

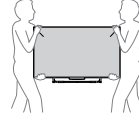
- يجب تركيب جهاز التلفزيون قريباً من مخرج التيار المتردد AC بحيث يمكن الوصول إليه بسهولة.
- ضع جهاز التلفزيون على سطح ثابت، مستو لتفادي سقوطه وحدوث إصابة شخصية أو تلف لجهاز التلفزيون.
- يجب أن تتم عملية التركيب على الجدار من قبل الفني المؤهل فقط.
- لأسباب تتعلق بالأمان، ينصح بقوة باستعمال ملحقات Sony التي تشتمل:
- كيفية التثبيت الجدارية:

- تأكد من استخدام البراغي المزودة مع كيفية التثبيت الجدارية عند ربط كلاليب التثبيت على جهاز التلفزيون. البراغي المزودة مصممة كما هو مبين بالرسم التوضيحي عند قياسها من سطح ربط كلاب التثبيت.
- يختلف قطر البراغي وطولها تبعاً لطراز كيفية التثبيت الجدارية.
- إن استخدام براغي غير تلك المزودة قد يؤدي إلى حدوث تلف في داخل جهاز التلفزيون أو قد يتسبب بسقوطه، الخ.



النقل

- قبل نقل جهاز التلفزيون، إ فصل جميع الكابلات.
- تحتاج إلى شخصين أو أكثر من أجل نقل جهاز التلفزيون كبير الحجم.
- عندما تريد نقل التلفزيون باليدين، أمسك التلفزيون كما هو مبين في الأسفل. لا تعرض لوحة LCD والاطار المحيط بالشاشة للاجهاد.

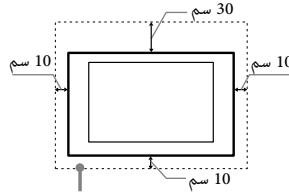


- عند نقل جهاز التلفزيون، لاتعرضه لهزات أو لارتجاج قوي.
- عند نقل جهاز التلفزيون لغرض الصيانة أو عند الانتقال لمنزل جديد، غلفه باستعمال الكرتونة الأصلية ومواد التغليف.

التهوية

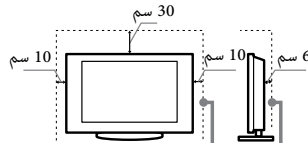
- لاتقم بتغطية فتحات التهوية أو ادخال أي شيء إلى داخل الخزانة.
- اترك فراغاً كافياً حول جهاز التلفزيون كما هو موضح في أدناه.
- ينصح بقوة باستعمال كيفية التركيب الجدارية المنتجة من Sony لغرض توفير تهوية كافية.

التركيب على الجدار



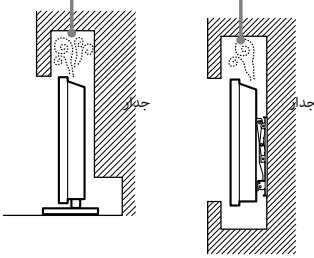
اترك هذا الفراغ على الأقل حول الجهاز.

مركب مع الحامل



اترك هذا الفراغ على الأقل حول الجهاز.

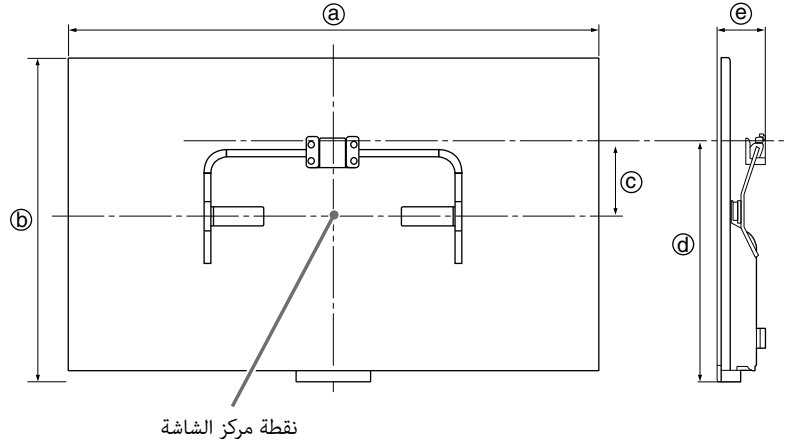
- لضمان التهوية الملائمة وتفادي تجمع الاوساخ أو الغبار:
- لاتضع جهاز التلفزيون بشكل مسطح، أو تركيبه بالمقلوب، أو تضعه على الجهة الجانبية منه.
- لا تضع جهاز التلفزيون على رف، أو سجادة، أو سرير، أو في خزانة.
- لاتضع جهاز التلفزيون بالقماش، مثل الستائر، أو مواد مثل ورق الصحف،... الخ.
- لاتركب جهاز التلفزيون كما هو موضح في أدناه. تمت اعاقه دوران الهواء.



قابس سلك التيار المتردد

- تعامل مع سلك التيار المتردد AC ومأخذ التيار الرئيسي كما يلي من أجل تفادي أية مخاطر تحدث نتيجة اندلاع حريق، أو حدوث صدمة كهربائية و/أو إصابات شخصية:
- استخدم فقط قابس سلك التيار المتردد من صناعة Sony، وليس اسلاك من ماركات أخرى.
- ادخل القابس بالكامل داخل فتحة مأخذ التيار المتردد AC.
- شغل جهاز التلفزيون باستعمال فقط مصدر للتيار المتردد 110-240 AC فولت.
- عند انجاز شبكة الكابلات، ولسلامتك تأكد من فصل سلك التيار المتردد AC وأخذ الحيطة اللازمة بحيث لا تعلق اقدامك في الاسلاك.
- افصل سلك التيار المتردد AC من مخرج التيار المتردد AC الرئيسي قبل القيام بأية أعمال على جهاز التلفزيون أو عند نقله.
- احفظ سلك التيار المتردد AC بعيداً عن مصادر الحرارة.
- افصل قابس التيار المتردد AC ونظفه بشكل منتظم. إذا كان القابس مغطى بالغبار وتجمعت عليه الرطوبة، قد يتدهور العازل، مما ينتج عن ذلك اندلاع حريق.

جدول أبعاد تركيب التلفزيون



الوحدة: مم

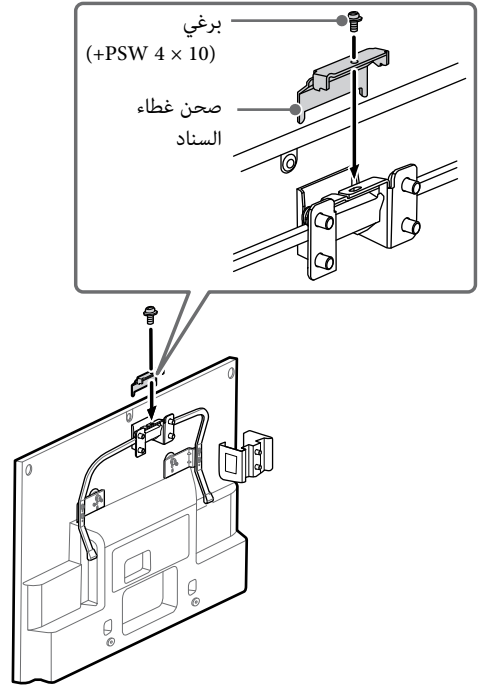
الطول للتعليق		بُعد مركز الشاشة	دقة شاشة العرض		اسم الموديل KDL-
e	d		b	a	
87	419	124	568	954	42W670A/42W674A 42W650A/42W654A
87	419	190	438	725	32W670A/32W674A 32W650A/32W654A
87	419	190	436	721	32W600A

يمكن للأرقام في الجدول أعلاه أن تختلف قليلاً وذلك حسب التركيب.

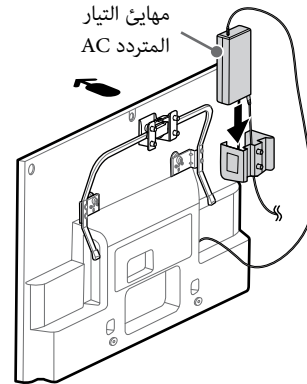
تحذير

ينبغي أن يكون الجدار الذي سيتم تركيب التلفزيون عليه قادراً على تحمّل وزن لا يقل عن أربعة أمثال وزن التلفزيون. انظر صفحة 22-23 (المواصفات) لمعرفة الوزن.

2 اربط صحن غطاء السناد باستخدام البرغي المرفق.



3 أدخل مهايئ التيار المتردد في حامل مهايئ التيار المتردد. تأكد من ان الملصق باتجاه الخارج.

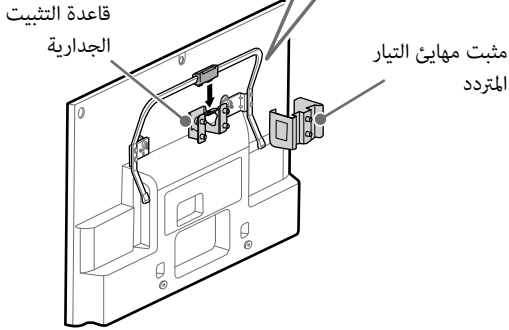
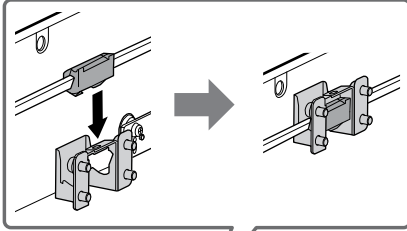
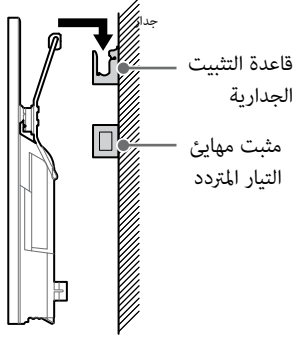


← يُظهر اتجاه السهم مقدمة التلفزيون.

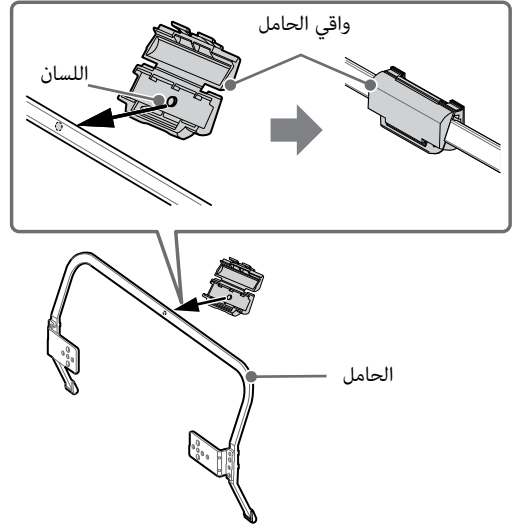
- قم بإمالة التلفزيون إلى الأمام لتيسير إدخال مهايئ التيار المتردد AC، وقم بوصل أو فصل السلك والكابلات مع تعليق التلفزيون على الحائط.

تثبيت التلفزيون على الجدار

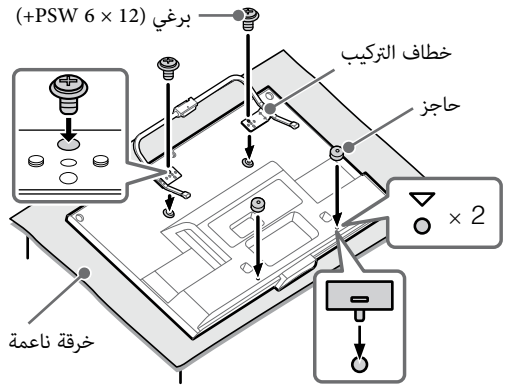
1 قم بتركيب التلفزيون على الجدار. ثم تأكد من أن واقي الحامل مثبت بإحكام في قاعدة التثبيت الجدارية.



2 تأكد من ادخال اللسان (الموجود على واقي الحامل) في الثقب الموجود على الحامل. اثني واقي الحامل بعد ادخال اللسان في الحامل.

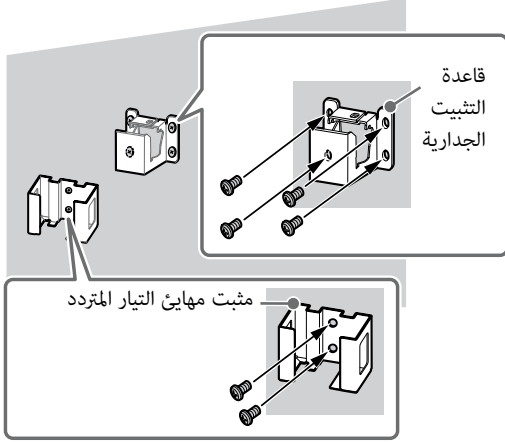


3 قم بتركيب خطاطيف التركيب (في الحامل) باستخدام البراغي المرفقة. وقم بتركيب الحواجز في الثقوب الموضحة بعلامات المثلث المرفقة.

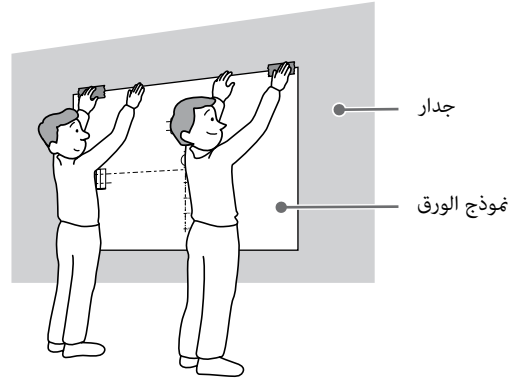


• تأكد من توصيل وحزم الكبلات قبل تركيب التلفزيون على الجدار.

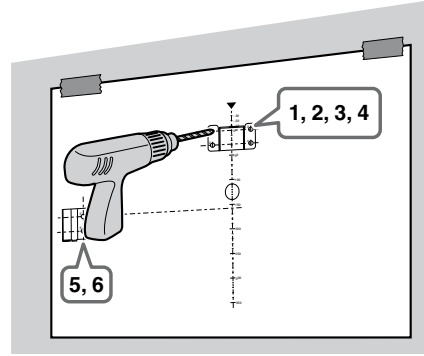
5 ركب براغي (قطرها 8 مم، غير مرفقة) بقاعدة التثبيت الجدارية ومثبت مهائئ التيار المتردد بالجدار.



2 تقرير الموضع تثبيت التلفزيون. ثبت نموذج الورق على الجدار بشرط لاصق.

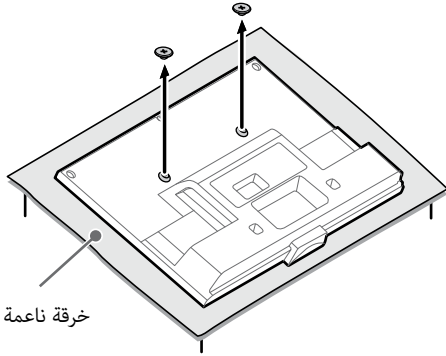


3 قم بعمل ستة ثقوب وفقاً للترقيم (1، 2، 3، 4، 5 و 6) على نموذج الورقة باستخدام مثقاب كهربائي.

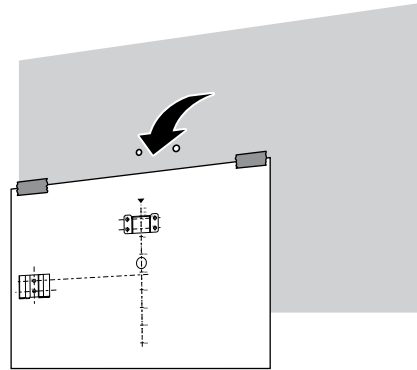


الإعداد لتثبيت التلفزيون

1 قم بفك البراغي من الجانب الخلفي للتلفزيون. تأكد من تخزين البراغي المنزوعة في مكان آمن، بحيث تبقيها بعيدة عن متناول الأطفال.



4 انزع نموذج الورق عن الجدار.



- عند نزع الحامل المنضدي من التلفزيون، ضع الشاشة متجهة للأسفل على سطح مستقر اوسع من حجم التلفزيون.
- لتفادي تعرض سطح شاشة LCD للتلف، تأكد من وضع خرقة ناعمة على سطح العمل.
- بمجرد فصل أعتاق الحامل عن الحامل، تأكد من إبقاء أعتاق الحامل والبراغي في مكان آمن.
- عند تركيب حامل أعلى الطاولة مرة أخرى، تأكد من تركيب البراغي (التي سبق نزعها) على الثقوب الأصلية الموجودة على الجهة الخلفية للتلفزيون.

تركيب الملحقات

كثيفة التثبيت الجدارية)

للتحقق من الكماليات

قاعدة التثبيت الجدارية (1)

مثبت مهائئ التيار المتردد (1)

نموذج الورق (1)

واقي الحامل (1)

صحن غطاء السناد (1)

براغي تجميع كثيفة التثبيت الجدارية (+PSW 6 x 12) (2)

حواجز (2)

براغي تجميع للوح غطاء الحامل (+PSW 4 x 10) (1)

✍

- لم يتم تزويد البراغي اللازمة لتأمين قاعدة التثبيت الجدارية ومثبت مهائئ التيار المتردد بالجدار.

إلى العملاء

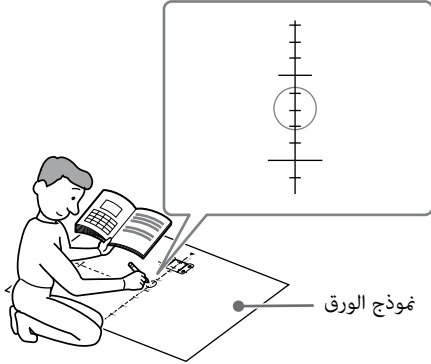
إن تركيب هذا المنتج يتطلب خبرة كافية. ولذا احرص على التعاقد على التركيب مع الموزعين أو المتعاقدين المرخصين التابعين ل Sony و قم بتوجيه الانتباه الخاص للسلامة أثناء عملية التركيب . ولا تتحمل Sony مسؤولية أية إصابة أو أضرار ناشئة عن سوء التعامل أو التركيب غير الصحيح أو تركيب أي جهاز بخلاف المنتج المحدد . ولا تتأثر حقوقك القانونية (إن وجدت).

إلى موزعي Sony والمتعاقدين معها

إن تركيب هذا المنتج يتطلب خبرة كافية. ولذا احرص على قراءة دليل التعليمات هذا بالكامل للقيام بأعمال التركيب بأمان. ولا تتحمل Sony مسؤولية أية إصابة أو أضرار ناشئة عن سوء التعامل أو التركيب غير الصحيح. ويرجى منح هذا الدليل للعميل بعد التركيب.

تركيب المساند على الجدار

- 1 تقرير الموضوع المركزي للتلفزيون. يرجى وضع علامة على قالب الورق الذي يشير إلى مركز شاشة التلفزيون، من خلال الرجوع إلى صفحة 28 (جدول أبعاد تركيب التلفزيون) للتعرف على أبعاد مركز الشاشة



سوف يستخدم الحامل الأعلى لطاولة التلفزيون الخاصة بك كجزء من كثيفة التثبيت الجدارية.

- انظر صفحة 29 (معلومات بشأن الأمان) و صفحة 32 (تنبيهات احتياطية) بشأن كثيفة التثبيت الجدارية قبل إجراء عملية تركيب كثيفة التثبيت الجدارية.

تنبيهات احتياطية

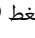
- انزع حامل أعلى الطاولة من التلفزيون. للتفاصيل، انظر صفحة 7 (نزع حامل أعلى الطاولة من التلفزيون).
- عند تركيب التلفزيون في الحائط، لا يمكن استخدام طرف توصيل VIDEO IN 1 بالجانِب الخلفي من التلفزيون.

32W600A	32W674A 32W670A 32W654A 32W650A	42W674A 42W670A 42W654A 42W650A	اسم الموديل - KDL
القدرة وأمور أخرى			
19.5 فولت بالتيار المباشر مع مهائئ التيار المتردد. التصنيف: دخل 110 فولت - 240 فولت بالتيار المتردد، 60/50 هرتز			متطلبات القدرة
تقريباً: 80.0 سم / 32 بوصة	تقريباً: 80.1 سم / 32 بوصة	تقريباً: 106.7 سم / 42 بوصة	مقاس الشاشة (مقاس قطرياً)
1,366 نقطة (أفقي) × 768 خط (عمودياً)	1,920 نقطة (أفقي) × 1,080 خط (عمودياً)	1,920 نقطة (أفقي) × 1,080 خط (عمودياً)	دقة شاشة العرض
67 واط (عند استعمال مهائئ التيار المتردد)	67 واط (عند استعمال مهائئ التيار المتردد)	84 واط (عند استعمال مهائئ التيار المتردد)	استهلاك القدرة الكهربائية
الأبعاد (تقريباً) (عرض × ارتفاع × عمق)			
197 × 463 × 721	197 × 465 × 725	197 × 595 × 954	مع حامل أعلى الطاولة (مم)
69 × 436 × 721	69 × 438 × 725	69 × 568 × 954	دون حامل أعلى الطاولة (مم)
الكتلة (تقريباً)			
7.7	7.8	11.0	مع حامل أعلى الطاولة (كجم)
6.7	6.8	9.9	دون حامل أعلى الطاولة (كجم)

توفّر الملحقات الاختيارية يعتمد على البلدان/المنطقة/موديل التلفزيون/التواجد في المخزن.
التصميم والمواصفات عرضة للتغيير من دون اشعار مسبق.

النظام	
نظام اللوحة (الشاشة)	لوحة LCD (لوحة عرض بلورية سائلة)
نظام التلفزيون	تماثلي: L, M, D/K, I, B/G رقمي: DVB-T2 (اعتماداً على موديل التلفزيون الذي تمتلكه) DVB-T
نظام الألوان/الفيديو	تماثلي: NTSC4.43, NTSC3.58, SECAM, PAL رقمي: ارجع الى i-Manual
تغطية القنوات	تماثلي: VHF/UHF, كبل, اعتماداً على اختيار بلدك/منطقتك رقمي: VHF/UHF, اعتماداً على اختيار بلدك/منطقتك.
خرج الصوت	8 واط + 8 واط (KDL-42W674A/42W670A/42W654A/42W650A) 5 واط + 5 واط (KDL-32W674A/32W670A/32W654A/32W650A/32W600A)
مقاييس الدخل/الخرج	
الهوائي	طرف توصيل خارجي 75 أوم لحزمتي VHF/UHF
VIDEO IN 1	دخول الفيديو/الصوت (مقاييس فونو)
COMPONENT IN	فيديو YPbPr (فيديو كمبونانت): 1080p (50, 60 هرتز), 1080i (50, 60 هرتز), 720p (50, 60 هرتز), 576p, 576i 480i, 480p دخول الصوت (مقاييس فونو) دخول الفيديو (مشترك ديبوس فونو مع دخل Y)
VIDEO IN 2	فيديو: 1080p (30, 50, 60 هرتز), 1080i, 1080/24p, 1080i (50, 60 هرتز), 720p (30, 50, 60 هرتز), 576p, 720/24p, 576i صوتي: تضمين الرمزي النبضي الخطي ذو القنوات: 32, 44.1, و 48 كيلوهرتز, 16, 20 و 24 بت, Dolby Digital (Audio Return Channel) (طقة HDMI IN 1)
HDMI IN 1, 2	فيديو: 1080p (30 هرتز), 1080i, 1080/24p, 1080i (50, 60 هرتز), 720p (30, 50, 60 هرتز), 576p, 720/24p, 576i صوتي: تضمين الرمزي النبضي الخطي ذو القنوات: 32, 44.1, و 48 كيلوهرتز, 16, 20 و 24 بت, Dolby Digital (مشترك مع دخل HDMI IN 2)
MHL (مشترك مع دخل HDMI IN 2)	فيديو: 1080p (30 هرتز), 1080i, 1080/24p, 1080i (50, 60 هرتز), 720p (30, 50, 60 هرتز), 576p, 720/24p, 576i صوتي: تضمين الرمزي النبضي الخطي ذو القنوات: 32, 44.1, و 48 كيلوهرتز, 16, 20 و 24 بت, Dolby Digital
DIGITAL AUDIO OUT (OPTICAL)	مقبس بصري رقمي (تضمين الرمز النبضي الخطي ذو القنوات, Dolby Digital)
AUDIO OUT/	خرج الصوت (مقبس صغير ستيريو) مقبس سماعات الرأس
USB	منفذ USB (موديل أستراليا ونيوزيلندا فقط يدعم مسجل HDD)
LAN	موصل 10BASE-T/100BASE-TX (يمكن لسرعة التوصيل أن تختلف تبعاً لبيئة تشغيل الشبكة. معدل جودة اتصال 10BASE-T/100BASE-TX غير مضمونين لهذا التلفزيون).
DC IN 19.5 V	مدخل مهائيل التيار المتردد AC
أمور أخرى	
الكماليات المرفقة	انظر "للتحقق من الكماليات" (صفحة 6).
ملحقات الاختيارية	الكاميرا ووحدة الميكروفون: CMU-BR100/CMU-BR200 لشبكة اتصال محلية لاسلكية USB مهائيل: UWA-BR100
درجة حرارة التشغيل	0 م° - 40 م°
رطوبة التشغيل	10% - 80% الرطوبة النسبية RH (بدون تكاثف)

تحرّي الخلل وإصلاحه

عندما تومض إضاءة LED بالأحمر، احسب عدد مرات وميض المؤشر (وقت الفاصل هو ثلاث ثوانٍ).
اضغط  على التلفزيون لإيقاف تشغيله وافصل سلك التيار المتردد وأبلغ الموزّع لديك أو مركز صيانة Sony بكيفية وميض المؤشر (عدد الوميضات).
عندما لا تومض إضاءة LED، تحقق من البنود في الجداول أدناه.
أيضاً، راجع "الفحص التشخيصي" في الدليل i-Manual. إذا استمرت المشكلة، أخضع تلفزيونك للصيانة من قبل فني صيانة مؤهل.

AR

الحالة	الشرح/الحل
لا يتم عرض صورة (الشاشة مظلمة) ولا يصد صوت.	<ul style="list-style-type: none"> افحص وصلة الهوائي/ الكبل. قم بتوصيل التلفزيون إلى مخرج التيار المتردد، واضغط  على التلفزيون او وحدة التحكم عن بعد.
لا يمكن توليف بعض البرامج.	<ul style="list-style-type: none"> افحص الهوائي.
الريموت لا يعمل.	<ul style="list-style-type: none"> استبدال البطاريات. يمكن ان يكون التلفزيون في وضع SYNC. اضغط SYNC MENU، اختر "التحكم في التلفزيون" ثم بعد ذلك اختر "قائمة رئيسية" او "خيارات" للتحكم بالتلفزيون.
نسيت كلمة السر لخاصية "تأمين الوالدين".	<ul style="list-style-type: none"> أدخل 9999 لرمز التعريف الشخصي PIN. (يتم دائماً قبول رمز التعريف الشخصي 9999 PIN)
المناطق المحيطة بالتلفزيون تصبح دافئة.	<ul style="list-style-type: none"> عند استعمال التلفزيون لفترة زمنية طويلة، تصبح المناطق المحيطة بالتلفزيون دافئة. وقد تشعر بسخونة عند لمس تلك المناطق بيدك.
لا يوجد صوت او الفيديو ثابت، شاشة فارغة، او التلفزيون لا يستجيب لازرار التلفزيون او وحدة التحكم عن بعد.	<ul style="list-style-type: none"> قم باجراء اعادة الضبط البسيط للتلفزيون بواسطة نزع قابس سلك التيار المتردد لمدة دقيقتين، بعد ذلك اوصل القابس مرة اخرى.

عرض الصفحة مرة اخرى اثناء تشغيل التلفزيون

يمكنك التحويل بين شاشة i-Manual وشاشة التلفزيون. تسمح لك هذه الميزة بالرجوع الى التعليمات داخل i-Manual اثناء استعمال تلفزيون BRAVIA. اضغط i-MANUAL للتحويل بين شاشة i-Manual المعروضة مسبقاً وشاشة التلفزيون.



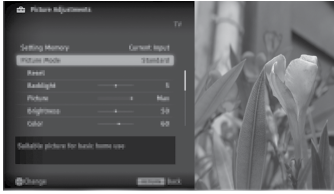
شاشة i-Manual المعروضة مسبقاً



i-MANUAL
?



شاشة تلفزيون BRAVIA



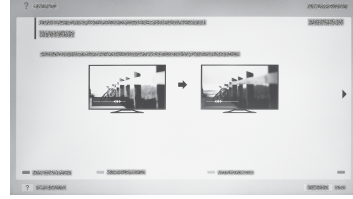
- للقفز الى اعلى صفحة i-Manual، اضغط الزر الاحمر على وحدة التحكم عن بعد. يمكنك ايضاً ضغط HOME، ثم اختر "إعدادات" ← "i-Manual" للقفز الى هاعلى صفحة i-Manual.
- فور ايقاف تشغيل التلفزيون او يذهب التلفزيون الى وضع الاستعداد للتشغيل، سوف يتم عرض i-Manual من الصفحة العلوية عندما تختار "i-Manual".

حفظ الصفحات التي تشاهد كثيراً (التأشير)

يمكنك حفظ الصفحات التي تشاهد كثيراً للوصول بسهولة في اي وقت.

لحفظ صفحة

في الصفحة المطلوب تأشيرها، اضغط الزر الاصفر على وحدة التحكم عن بعد.



للوصول الى صفحة التأشير

عند عرض i-Manual، اضغط الزر الاخضر على وحدة التحكم عن بعد لعرض قائمة التأشير. اضغط ▲/▼ لاختيار البند المطلوب، ثم اضغط ⊕.



- للرجوع إلى الشاشة السابقة، اضغط RETURN.

لازالة تأشير

عند عرض الصفحة المؤشرة، اضغط الزر الاصفر على وحدة التحكم عن بعد.

البحث عن التعليمات في الدليل الالكتروني (i-Manual)

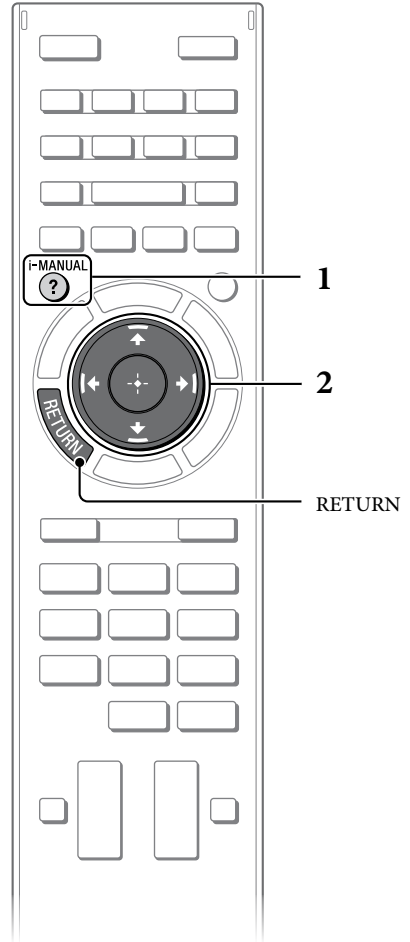
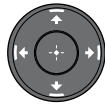
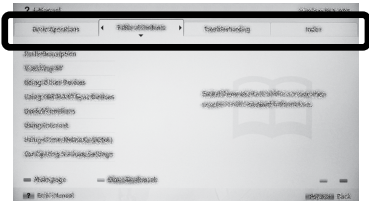
تعليمات التشغيل موجودة داخل تلفزيون BRAVIA ويمكن عرضها على الشاشة. لمعرفة أكثر حول مميزات تلفزيونك، ادخل دليل i-Manual بلمسة زر.

1 اضغط i-MANUAL

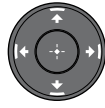


2 اختر بند.

1 اضغط </> لاختيار البند.



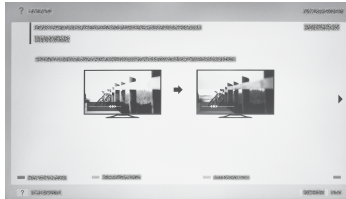
2 اضغط </> لاختيار الملف، ثم اضغط (+).



* علامة سهم

* إذا ظهرت علامة سهم، اضغط </> بالتتابع لعرض بنود أكثر.

تظهر صفحة البند المختار.



- يمكنك التنقل بين الصفحات باستعمال </>.
- اضغط RETURN للرجوع الى الصفحة السابقة.

مشاهدة فيديو الانترنت

تعمل هذه الميزة كمدخل الى الانترنت، تقديم مواد تسليية حسب الطلب متنوعة مباشرة على التلفزيون. يمكنك الاستمتاع بمحتوى فيديو، بما في ذلك الافلام والرسوم المتحركة. سوف تحتاج الى عمل توصيل انترنت نطاق واسع للتفاصيل، انظر صفحة 11 (5: توصيل التلفزيون مع الانترنت).

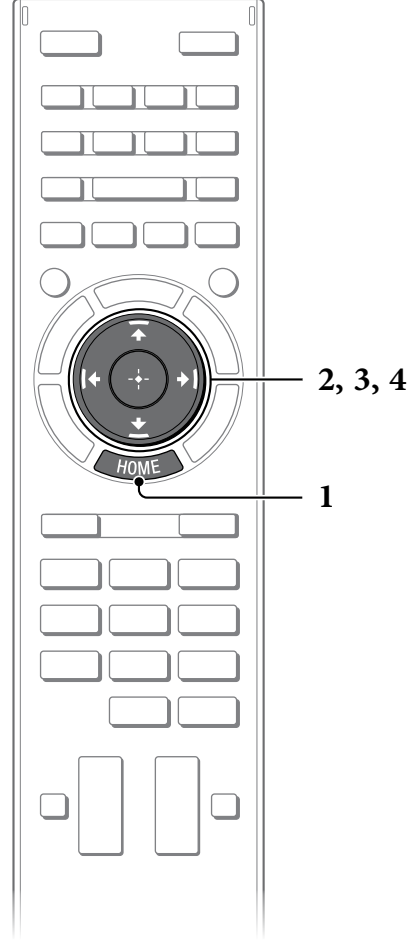
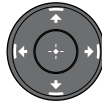
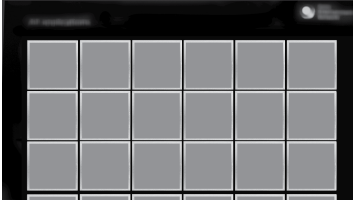
1 اضغط HOME.



2 اضغط ↑/↓ لاختيار نوع "التطبيقات".

3 اضغط ←/→ لاختيار "كل التطبيقات"، ثم اضغط ⊕.

4 اضغط الزر ↑/↓/←/→ لاختيار الخدمة المطلوبة، ثم اضغط الزر ⊕.



- اذا واجهت صعوبات مع هذه الميزة، افحص انه تم ضبط توصيل الانترنت بصورة صحيحة.
- يعتمد التوصيل مع الانترنت على مزودي محتوى الانترنت.
- تمنع الخدمات محتوى الفيديو على اساس ضبط "تأمين الوالدين" للتلفزيون. بعض مزودي الخدمة لا تدعم هذه الوظيفة.
- لتحديث خدمات محتوى فيديو الانترنت اضغط HOME، ثم اختر "إعدادات" ← "شبكة" ← "تحديث محتويات الإنترنت".



تتوفر الانواع اعتماداً على موديل تلفزيونك، منطقتك وبلدك.

مصادر الفيديو المتميزة	تزوّد معلومات عن التطبيقات والمحتوى المتوفر. اذا لم يكن هناك توصيل شبكة، او كان إعداد "عرض متميز" مضبوط على "إيقاف"، سوف لن يتم عرض نوع "مصادر الفيديو المتميزة".
تاريخ	يعرض البنود التي تم مشاهدتها حديثاً.
التلفزيون	يسمح لك باختيار قائمة قنوات التلفزيون، أو دليل البرنامج. يتوفر دليل البرنامج اعتماداً على موديل تلفزيونك ومنطقتك. يتم عرض قائمة للقنوات مسجلة كمفضلات في نوع "تلفزيون".
التطبيقات	يشغل التطبيقات التي تتطلب توصيل الانترنت، بما في ذلك مشغل الوسائط الذي لا يتطلب توصيل الانترنت. يتم عرض قائمة للتطبيقات مسجلة كمفضلات في نوع "التطبيقات".
الأجهزة المتصلة	يمكن من اختيار الاجهزة المتصلة مع التلفزيون.
إعدادات	تعطيك الإعدادات (مثل، اعدادات الصورة، اعدادات الصوت، اعداد نغمة المفتاح) التي يمكنك من تخصيص تلفزيونك.

اختيار الوظائف المختلفة و الإعدادات (قائمة الأصل)

يمكنك اختيار مميزات تلفزيونك من قائمة الأصل.

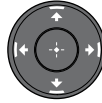
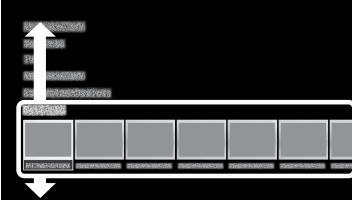
هذا مثال عن كيفية اختيار بند وتعديل إعدادات التلفزيون.

1 اضغط HOME.



2 اضغط ▲/▼ لاختيار نوع "إعدادات".

يتم عرض محتويات "إعدادات" أفقياً.



انظر صفحة 17 (قائمة الانواع) لجميع الانواع.

3 اضغط الزر ◀/▶ لاختيار بند الإعداد المطلوب، ثم اضغط

الزر ⊕.

4 عدّل الإعدادات.

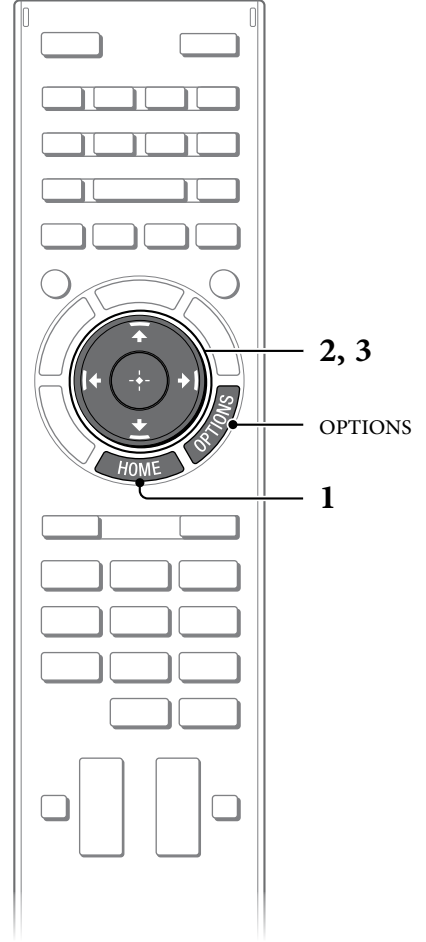
■ للخروج من القائمة الرئيسية

اضغط على HOME.

■ للاختيار باستعمال زر OPTIONS

اضغط على OPTIONS.

يتم عرض قائمة الوظائف الملائمة ومختصرات القائمة. تختلف بنود قوائم الاختيار تبعاً للدخل الحالي و/أو المحتوى.



1 ضبط الترجمة المكتوبة

يمكنك تشغيل/إيقاف الترجمات المكتوبة واختيار لغتك المفضلة أثناء مشاهدة البث الرقمي.

2 AUDIO

يمكنك اختيار الصوت الفرعي أو اللغة الثانوية أثناء مشاهدة بث متعدد.

3 الأزرار الملونة

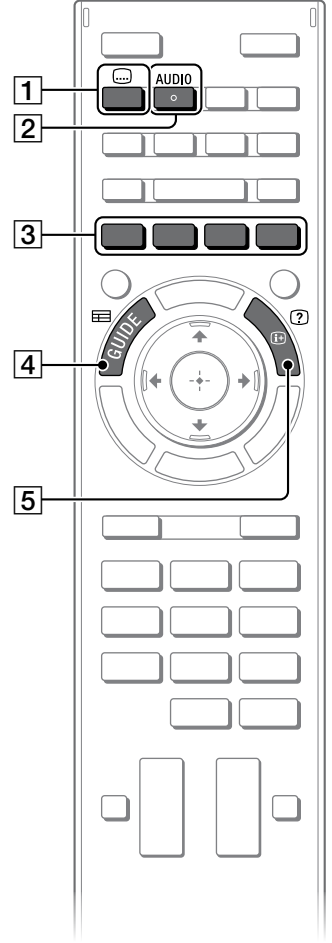
عندما تكون الأزرار الملونة متاحة، تظهر توجيهات تشغيل على الشاشة.

4 GUIDE

يعرض دليل البرنامج الرقمي.

5 (+) / (?) معلومات / اظهار النص

يعرض رقم القناة، تفاصيل البرامج، و الساعة.



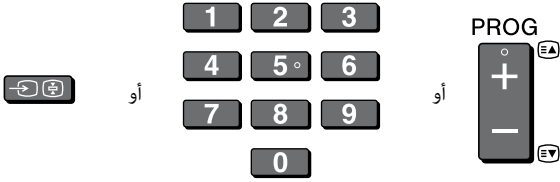
1 شغل التلفزيون.

اضغط على I/ON من التلفزيون أو وحدة التحكم عن بعد لتشغيل التلفزيون.

2 اختر الوضع.



3 اختر قناة تلفزيون او اختر دخل.



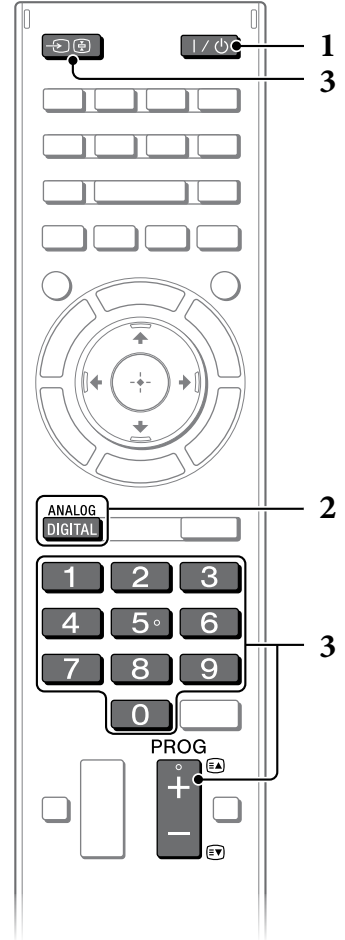
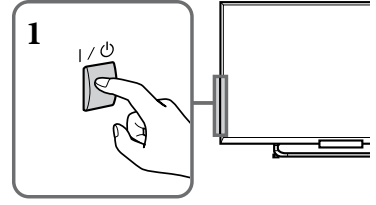
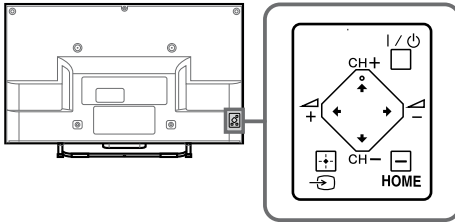
■ لاختيار قنوات رقمية

استعمل الأرقام 0-9. بالنسبة لأرقام القنوات 10 فما فوق، اضغط على الرقم التالي بسرعة.

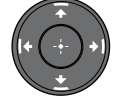


- انظر الرسم التوضيحي بالاسفل لإيجاد الأزرار I/ON ، $CH+/-$ ، \triangle ، ∇ ، \leftarrow ، \rightarrow و HOME على التلفزيون.

خلفية التلفزيون



- 3 اضغط على $\blacktriangle/\blacktriangledown/\blacktriangleleft/\blacktriangleright$ لاختيار الملف، ثم اضغط على \oplus .
اتَّبِع التعليمات الظاهرة على الشاشة.



- فرز البرنامج: يغيّر ترتيب القنوات التماثلية المخزونة في التلفزيون
- 1 اضغط على $\blacktriangle/\blacktriangledown$ لاختيار القناة التي تريد نقلها إلى موضع جديد، ثم اضغط على \oplus
 - 2 اضغط على $\blacktriangle/\blacktriangledown$ لاختيار المكان الجديد للقناة، وبعد ذلك اضغط على \oplus .



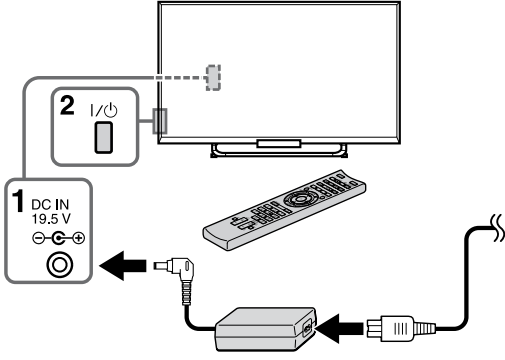
- يمكنك أيضاً الموافقة على القنوات يدوياً.

تهيئة الشبكة: تهيئة ضبوطات الانترنت. إذا لم تدخل الإنترنت، أو للإعداد فيما بعد، اختر "تخطي". وبعد اختيار "استمرار" أو "بدء" (بناءً على الموديل) الموجود في شاشة تأكيد تهيئة الإنترنت، اختر "تلقائي" لتوصيل الشبكة تلقائياً. اختر "إعداد شخصي" للتوصيل يدوياً.



- إذا استعملت أمان WEP، اختر "إعداد شخصي" ← "تهيئة الشبكة اللاسلكية" ← "استطلاع". ثم، اختر اسم الشبكة (SSID) التي تريد توصيلها.
- إذا لم تستطع إيجاد اسم الشبكة المطلوبة، اختر "[إدخال يدوي]" واضغط \oplus لإدخال اسم الشبكة.
- لضبط "تهيئة الشبكة" فيما بعد، اضغط HOME، ثم اختر "إعدادات" ← "شبكة" ← "تهيئة الشبكة".
- استعمل لشبكة اتصال محلية لاسلكية USB مهايئ للتوصيل مع الراوتر اللاسلكي (أو نقطة الوصول) على 5 جيجاهرتز. ادخل لشبكة اتصال محلية لاسلكية USB مهايئ واضبط "Wi-Fi Direct" على "إيقاف". اضغط HOME، ثم اختر "إعدادات" ← "شبكة" ← "Wi-Fi Direct" ← "إيقاف".

6: تنفيذ التهيئة المبدئية

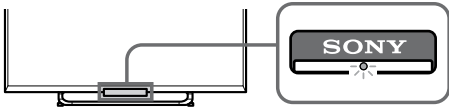


1 وصل سلك التيار المتردد مهائئ التيار المتردد ووصل كابل التيار المباشر بطرف توصيل IN للتيار المباشر. ثم وصل التلفزيون بمخرج التيار المتردد.

2 اضغط على I/O من التلفزيون. سوف تضيء إضاءة LED باللون الأبيض. عندما تقوم بتشغيل التلفزيون لأول مرة، تظهر قائمة اللغة على الشاشة.



- عند تشغيل التلفزيون للمرة الأولى، يتطلب التلفزيون بعض المعالجة الداخلية لتحقيق الأمثلية قبل أن تتمكن من إجراء الإعداد الأولي. سوف لا يوجد صورة و صوت، وسوف تومض إضاءة LED الموجود على مقدمة التلفزيون باللون الأبيض لمدة 40 ثانية تقريباً. لا توقف تشغيل التلفزيون أثناء هذه العملية. تم اكمال هذه العملية في المصنع لبعض أجهزة التلفزيون.
- تضيء إضاءة LED بالوان مختلفة حسب حالة التلفزيون. إذا كنت لا ترغب في أن تضيء إضاءة LED، فيمكنك أن تطفئها فيما بعد. اضغط HOME، بعد ذلك اختر "إعدادات" ← "تهيئة النظام" ← "تهيئة عامة" ← "إضاءة LED" ← "إيقاف". يمكنك أيضاً ضغط الزر OPTIONS، ثم اختر "إضاءة LED" ← "إيقاف".

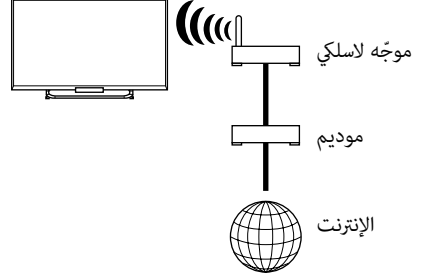


تحضير LAN اللاسلكية

KDL-42/32W670A ،KDL-42/32W674A

وحدة LAN اللاسلكية المركبة ضمنا في الجهاز تتيح لك إمكانية الدخول على شبكة الإنترنت وعلى شبكتك المنزلية. مع هذه الميزة، يمكنك التوصيل مع LAN اللاسلكي والاستمتاع بفوائد الشبكة داخل بيئة خالية من الاسلاك.

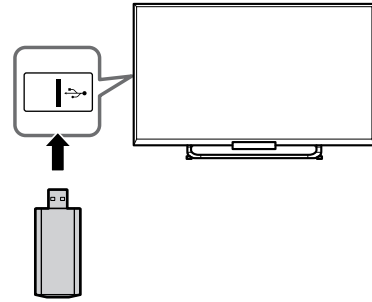
التلفزيون



باستثناء KDL-42/32W670A ،KDL-42/32W674A

تمكّنك وح LAN اللاسلكية المجهزة من الدخول إلى شبكة الإنترنت وعلى شبكتك المنزلية بسهولة بواسطة لشبكة اتصال محلية لاسلكية USB مهائئ UWA- BR100. بواسطة إدخال لشبكة اتصال محلية لاسلكية USB مهائئ في منفذ USB الموجود على التلفزيون، يمكنك عمل شبكة خالية من أسلاك.

التلفزيون

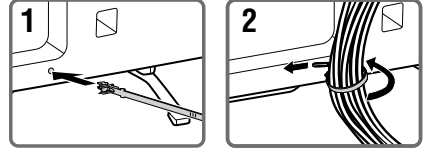


قبل تهيئة وظيفة شبكة LAN اللاسلكية في التلفزيون، تأكد من تهيئة راوتر LAN اللاسلكي.

4: تحزيم الكوابل



- لا تعتمد إلى حزم سلك التيار المتردد مع الكبلات الأخرى.



5: توصيل التلفزيون مع الانترنت

عند توصيل التلفزيون مع الانترنت، يمكنك الاستمتاع بالوظائف المتعددة. للتفاصيل عن الوظائف، ارجع الى i-Manual.

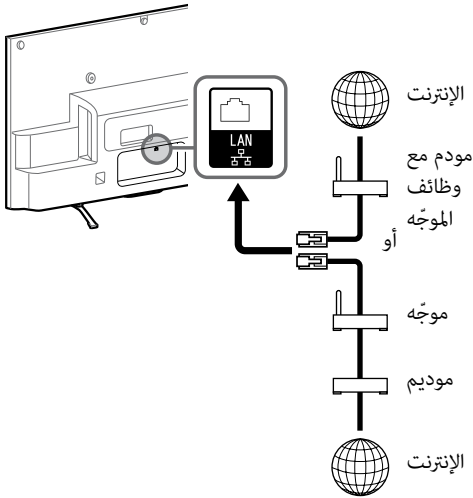


- للتوصيل بشبكة الإنترنت، تحتاج للتعاقد مع مقدم خدمة إنترنت.

AR

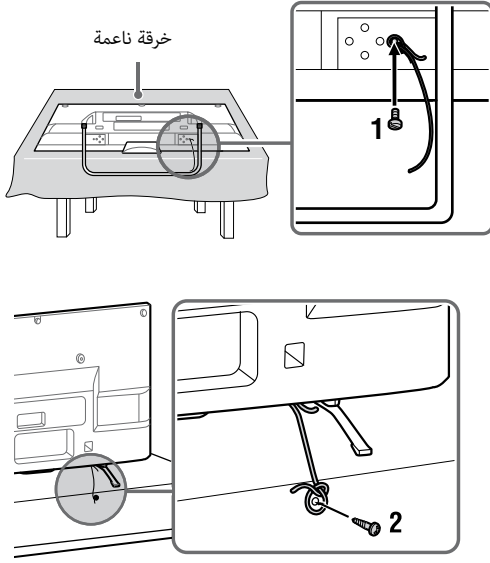
تحضير الشبكة السلكية

التلفزيون



- لتوصيلات شبكة LAN، استعمل كبل من الفئة 7 (غير مرفق).

3: منع سقوط التلفزيون

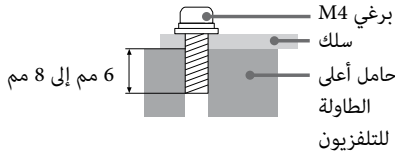


- قبل تركيب البرغي المعدني (برغي يُستخدَم لتثبيت شيء معدني)، ضع الشاشة بحيث يكون الوجه للأسفل على سطح عمل مستوٍ ومستقر بحيث يكون أكبر من التلفزيون.
- لتفادي تعرض سطح شاشة LCD للتلف، تأكد من وضع خرقة ناعمة على سطح العمل.

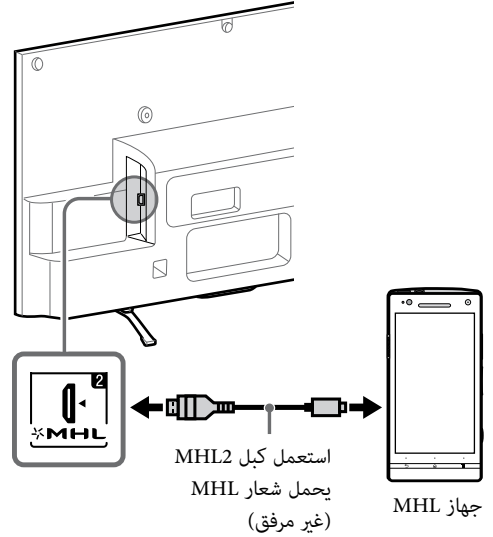
1 قم بتركيب برغي معدني (برغي يُستخدَم لتثبيت شيء معدني) (M4 غير مرفق) في ثقب البرغي الموجود على التلفزيون واربطه بسلك قوي (غير مرفق).

2 قم بتركيب برغي خشب (برغي يُستخدَم للخشب) (غير مرفق) في حامل التلفزيون. ثم، اربط السلك القوي مع البرغي المستخدم للتثبيت مع الخشب.

يختلف طول البرغي المعدني M4 اعتماداً على قطر السلك. يرجى مشاهدة الرسم التوضيحي بالاسفل.



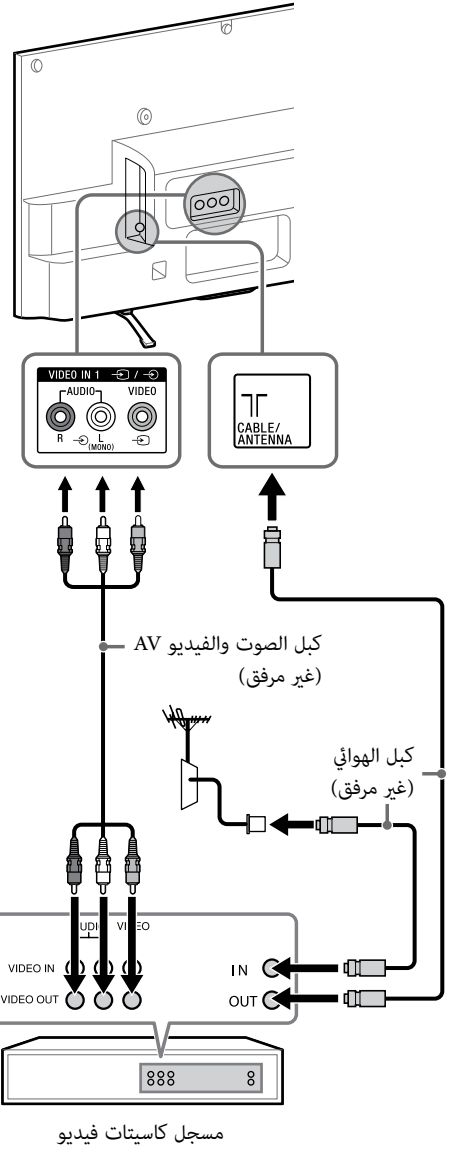
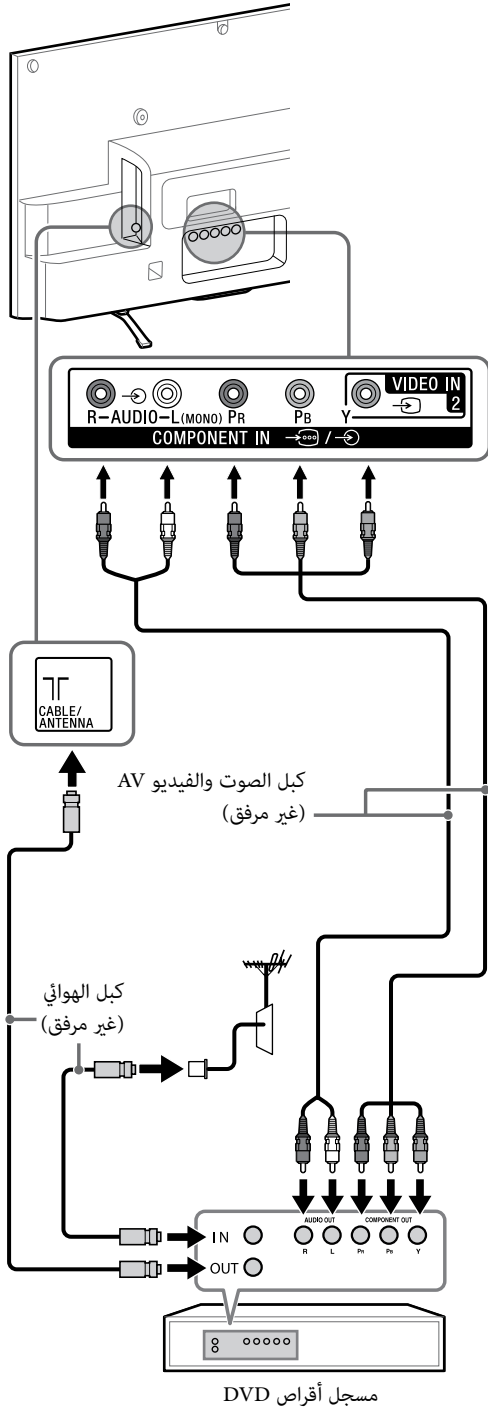
توصيل جهاز MHL



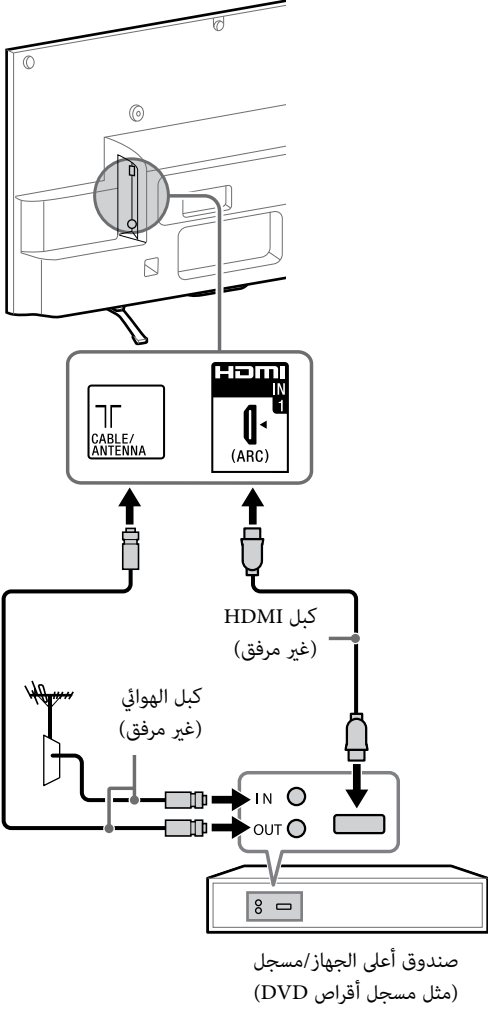
يُمكن MHL (توصيل هاتف محمول عالي الوضوح) التلفزيون من الاتصال مع جهاز MHL المتوافق الموصول. يُمكن للتلفزيون شحن جهاز MHL المتوافق أثناء تشغيل الصورة/الموسيقى/الفيديو منه. يُمكنك استعمال وحدة التحكم عن بعد الخاصة بالتلفزيون للتحكم بجهاز MHL المتوافق.

- إذا تم ضبط "تغيير الإدخال التلقائي (MHL)" على "تشغيل"، يقوم التلفزيون بالتحويل أوتوماتيكياً إلى HDMI IN 2/MHL من الدخول الآخر عندما يكون جهاز MHL المتوافق موصول مع مقبس HDMI IN 2/MHL. يعتمد توفر ميزة "تغيير الإدخال التلقائي (MHL)" فيما إذا كان جهاز MHL المتوافق يستطيع دعم هذه الميزة.
- يمكنك الاستمرار بالاستعمال العادي لجهاز MHL المتوافق الموصول (مثل استقبال المكالمات) اعتماداً على قدراته.
- يمكن ان لا تتوفر بعض وظائف التحكم عن بعد وذلك اعتماداً على ميزات جهاز MHL المتوافق. يرجى الرجوع إلى كتيب الجهاز من أجل التفاصيل.
- إذا كان "شحن MHL أثناء وضع الاستعداد" مضبوط على "تشغيل" يمكنك الاستمرار بشحن جهاز MHL المتوافق حتى عندما يكون التلفزيون في وضع الانتظار.
- هذا المنتج مصدقاً عليه رسمياً من قبل MHL للتشغيل مع أجهزة MHL المصدقة عليها الأخرى. إذا واجهت إبه مشاكل عند استعمال وظيفة MHL، يرجى استشارة مصنع الجهاز من أجل الدعم.

AR



لتوصيل صندوق أعلى الجهاز/مسجل (مثل مسجل أقراص HDMI مع DVD)

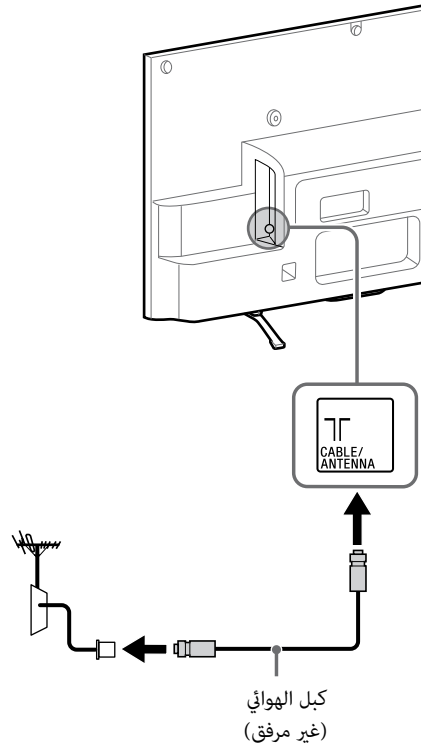


2: التوصيلات


- استعمال موصل كبل هوائي لا تتجاوز سماكته 14 مم.
- استعمال موصل كبل HDMI ضمن 12 مم (سماكة) × 21 مم (عرض).
- لمعلومات أكثر عن التوصيلات، ارجع الى i-Manual.

توصيل هوائي / كبل/مسجل كاسيتات فيديو

توصيل هوائي/كبل



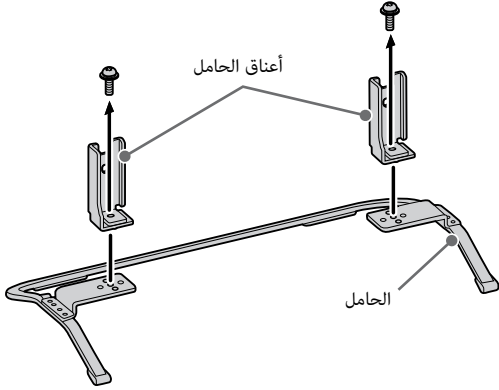
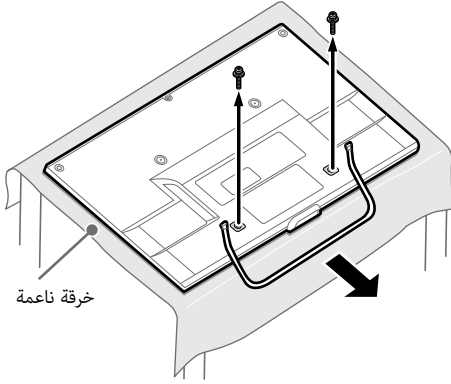
نزع حامل أعلى الطاولة من التلفزيون

لنزع حامل أعلى الطاولة من التلفزيون، انزع البراغي  المشبته في الخطوة 2.



- لا تنزع حامل أعلى الطاولة لأي سبب غير تركيب كماليات مناظرة على التلفزيون.
- عند نزع الحامل المنضدي من التلفزيون، ضع الشاشة متجهة للأسفل على سطح مستقر أوسع من حجم التلفزيون.
- لتفادي تعرض سطح شاشة LCD للتلف، تأكد من وضع خرقة ناعمة على سطح العمل.
- بمجرد فصل أعناق الحامل عن الحامل، تأكد من إبقاء أعناق الحامل والبراغي في مكان آمن.

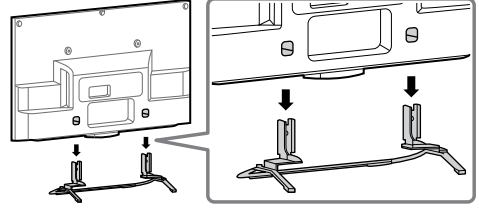
AR




1: تثبيت حامل أعلى الطاولة

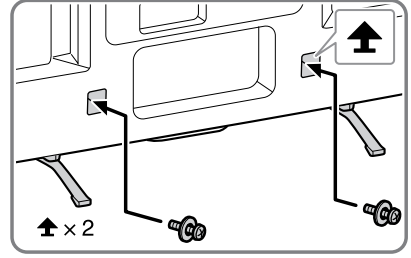
لتثبيت حامل أعلى الطاولة بصورة صحيحة، راجع ورقة حامل أعلى الطاولة المرفقة.

1 ضع التلفزيون على حامل أعلى الطاولة.



2 ثبت التلفزيون مع حامل أعلى الطاولة باستعمال البراغي المرفقة.

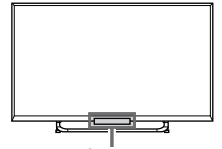
تبيّن علامات السهم  مكان ثقب البرغي المستخدم لتثبيت وتأمين حامل أعلى الطاولة.



• في حالة استعمال مفك براغي كهربائي، اضبط عزم الشدّ على تقريباً 1.5 N.m {15 kgf.cm}.

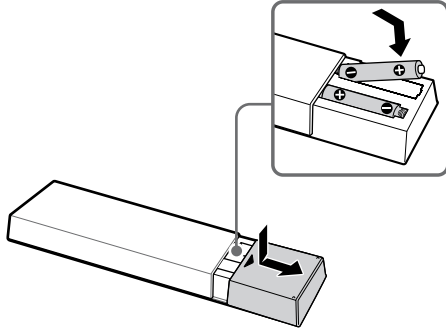


• تأكد من عدم وجود أشياء أمام التلفزيون.



مستشعر الأشعة
تحت الحمراء IR

لإدخال البطاريات في الريموت



1 انزع لوح الحماية.

2 ادفع وازلق الغطاء لفتحه.

للتحقق من الكماليات

- وحدة التحكم عن بعد (1)
- بطاريات حجم AAA طراز (R03) (2)
- قابس سلك التيار المتردد (1)
- مهايئ التيار المتردد AC (1)
- مثبت الكبلات (1)
- حامل أعلى الطاولة * (1)
- براغي تجميع لحامل أعلى الطاولة
(2) (M5 × 16)
- براغي تجميع لحامل أعلى الطاولة
(2) (M5 × 16)
- تعليمات التشغيل (هذا الدليل)، والمستندات الأخرى وملحقات كتيبة التثبيت الجدارية
- * لتجميع حامل أعلى الطاولة، راجع ورقة حامل أعلى الطاولة المرفقة.

جدول المحتويات

بدء التركيب

- 6 للتحقق من الكماليات
- 6 لإدخال البطاريات في الريموت
- 7 1: تثبيت حامل أعلى الطاولة
- 8 2: التوصيلات
- 10 3: منع سقوط التلفزيون
- 11 4: تحزيم الكوابل
- 11 5: توصيل التلفزيون مع الانترنت
- 12 6: تنفيذ التهيئة المبدئية

AR

استعمال تلفزيون BRAVIA

مشاهدة التلفزيون ◀ 14

- 16 اختيار الوظائف المختلفة و الإعدادات (قائمة الأصل)
- 18 مشاهدة فيديو الانترنت

البحث عن التعليمات

البحث عن التعليمات في الدليل الالكتروني

(i-Manual) ◀ 19

معلومات إضافية

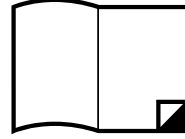
- 21 تحري الخلل وإصلاحه
- 22 المواصفات
- 24 تركيب الملحقات (كتيفة التثبيت الجدارية)
- 29 معلومات بشأن الأمان
- 32 تنبيهات احتياطية

حول هذا الدليل (تعليمات التشغيل)

يشرح هذا الدليل كيفية ضبط التلفزيون. للمزيد من المعلومات حول كيفية استعمال تلفزيون BRAVIA، ارجع الى "دليل إلكتروني".

تعليمات التشغيل

يشرح كيفية ضبط التلفزيون مثل التوصيلات و الإعداد المبدئي و التشغيلات الأساسية.

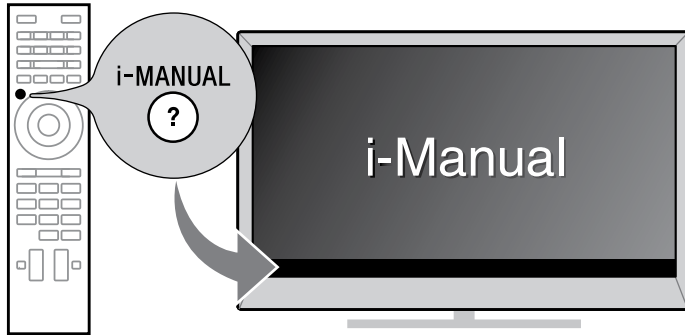


للمزيد من المعلومات، اضغط على الزر i-MANUAL



دليل إلكتروني (i-Manual)

يشرح كيفية استعمال المميزات. انظر صفحة 19 حول كيفية استعمال i-Manual.



يمكن ان تختلف الصور والتعليمات المستعملة في هذا الدليل عن الشاشة الفعلية.

يسعدنا أن نتوجه إليك بالشكر لإختيارك هذا المنتج من Sony. قبل تشغيل التلفزيون، يرجى قراءة هذا الدليل بأكمله والاحتفاظ به كمرجع في المستقبل.



موضع بطاقة التعريف

بطاقات رقم موديل التلفزيون ومعايرة مصدر التيار الكهربائي (طبقاً للوائح الأمان المعنية) الموجودة على الجهة الخلفية للتلفزيون. بطاقات رقم موديل مهايئ التيار المتردد AC ورقم التسلسل موجودة على اسفل مهايئ التيار المتردد AC.

- التعليمات حول "تركيب سناد التركيب" موجودة ضمن دليل التعليمات.
- يمكن ان تختلف الرسومات التوضيحية المستعملة في هذا الدليل وذلك اعتماداً على موديل تلفزيونك.
- الرسومات التوضيحية للريموت المستعملة في هذه الدليل هي للموديل RM-GD027 إلا إذا ذكر خلاف ذلك.
- قبل تشغيل التلفزيون، يُرجى قراءة فقرة صفحة 29 (معلومات بشأن الأمان). احتفظ بهذا الدليل كمرجع للمستقبل.

معلومات عن العلامات التجارية

المصطلحات HDMI High-Definition Multimedia Interface و HDMI والشعار HDMI هي علامات تجارية أو علامات تجارية مسجلة لشركة HDMI Licensing LLC في الولايات المتحدة ودول أخرى.

العلامة المسجلة DLNA® والشعار DLNA والعلامة المسجلة DLNA CERTIFIED® هي علامات تجارية أو علامات خدمة أو علامات شهادة لشركة Digital Living Network Alliance.

مصنوع بموجب ترخيص من Dolby Laboratories.

"BRAVIA" و "BRAVIA" هي علامات تجارية لشركة Sony Corporation.

TrackID هي علامة تجارية أو علامة تجارية مسجلة لشركة Sony Mobile Communications AB.

تقنية التعرف على الموسيقى والفيديو والمعلومات ذات الصلة متوفرة من قبل Gracenote®. Gracenote هي معيار الصناعة في تقنية التعرف على الموسيقى ونقل المحتويات ذات الصلة. لمزيد من المعلومات، يرجى زيارة موقع www.gracenote.com.

اسطوانة CD، DVD، Blu-ray Disc، وبيانات متعلقة بالموسيقى والفيديو من Gracenote, Inc. حقوق الطبع © 2000-present Gracenote. برنامج Gracenote، Inc. حقوق الطبع © 2000-present Gracenote. واحد أو أكثر من براءات الاختراع التي تملكها Gracenote تنطبق على هذا المنتج وهذه الخدمة. يرجى مراجعة موقع Gracenote على شبكة الانترنت للتعرف على قائمة غير شاملة لبراءات اختراع Gracenote المطبقة.

Gracenote، Video Explore، VideoID، MusicID، والشعار ونوع اشعار Gracenote والشعار "Powered by Gracenote" هي اما علامات تجارية مسجلة او علامات تجارية لشركة Gracenote في الولايات المتحدة الأمريكية و/أو بلدان أخرى.

Opera® Devices SDK from Opera Software ASA. Copyright 1995-2013 Opera Software ASA. All rights reserved.

Wi-Fi، Wi-Fi Direct، و Miracast هي علامات او علامات مسجلة لشركة Wi-Fi Alliance.

الشعار "Blu-ray Disc" و "Blu-ray" و "Blu-ray Disc" هي علامات تجارية لشركة Blu-ray Disc Association.

"Sony Entertainment Network logo" و "Sony Entertainment Network" هي علامات تجارية لشركة Sony Corporation.

MHL و Mobile High-Definition Link وشعار MHL هي علامات تجارية أو علامات تجارية مسجلة لشركة MHL Licensing, LLC.

مصنوع بموجب ترخيص من شركة DTS Licensing Limited.

لبراءة الاختراع في الولايات المتحدة الأمريكية والعالم ومعلومات العلامة التجارية، انظر www.dts.com/patents/legacy.aspx.

شركة DTS Licensing Limited (c) و DTS, Inc. 2012.

Instructions about "Installing Wall Mount Bracket" are included within this TV's instructions manual.

Les instructions relatives à l'« installation du support de fixation murale » sont incluses dans ce mode d'emploi.

التعليمات حول "تركيب سناد التركيب" موجودة ضمن دليل التعليمات.



Customer Support:

<http://www.sony-asia.com/support>



* 4 4 6 4 2 3 6 1 1 * (1)

4-464-236-11(1)

<http://www.sony.net/>